



Manufacturer

Customer

VEM motors GmbH - Werk Zwickau
Äußere Dresdner Str. 35

08066 ZWICKAU
Deutschland

Three-phase motors with squirrel cage rotor,
Housing grey cast iron

Type		IE3-W42R 132 SY4
Design output	(kW)	5,5
Design torque	(Nm)	36
Class IE	[-]	IE3-89,6%
Efficiency determination		EN 60034-2-1
Duty type		S1
Design frequency	(Hz)	50
Design speed	[rpm]	1460
Voltage	(V)	230/400
Connection	[-]	D/Y
Current	[A]	19.30/11.10
Relative pull-in current	[-]	9
Relative starting torque	[-]	2,9
Relative pull-up torque	[-]	2,7
Relative pull-out torque	[-]	4,5
Efficiency100/75/50 %	[%]	89,6 / 89,9 / 88,8
Power factor	[-]	0,8
Th. cl.		155(F/B)
Coolant temperature	(°C)	-20...+40
Altitude above sea level	(m)	1000
Degree of protection IP		IP55
Moment of inertia	(kgm ²)	0,02
Motor weight	(kg)	68,5
Bearing, D-side		6208 2ZN C3
Bearing, N-side		6207 2ZN C3
Grease type		Asonic GLY 32

Options

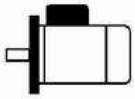
Type of mounting	IMB5
Flange	FF 265[A 300]
Terminal box	Standard
Position of terminal box	on the top
Cable gland	Sealing plug
Position of cable entry	right
Shaft	Standard, 1 shaft end
Bearing	Easy bearing arrangement
Limit values to vibration velocity	Class A
Colour system	Balancing with halfkey
Delivery conditions and/or official regulations:	01 Moderate (KK C2),RAL 7031 blue-grey IEC / EN 60034-1

This document was produced electronically, all specifications are valid only after confirmation of the manufacturer

Three-phase motors with squirrel cage rotor,
Housing grey cast iron

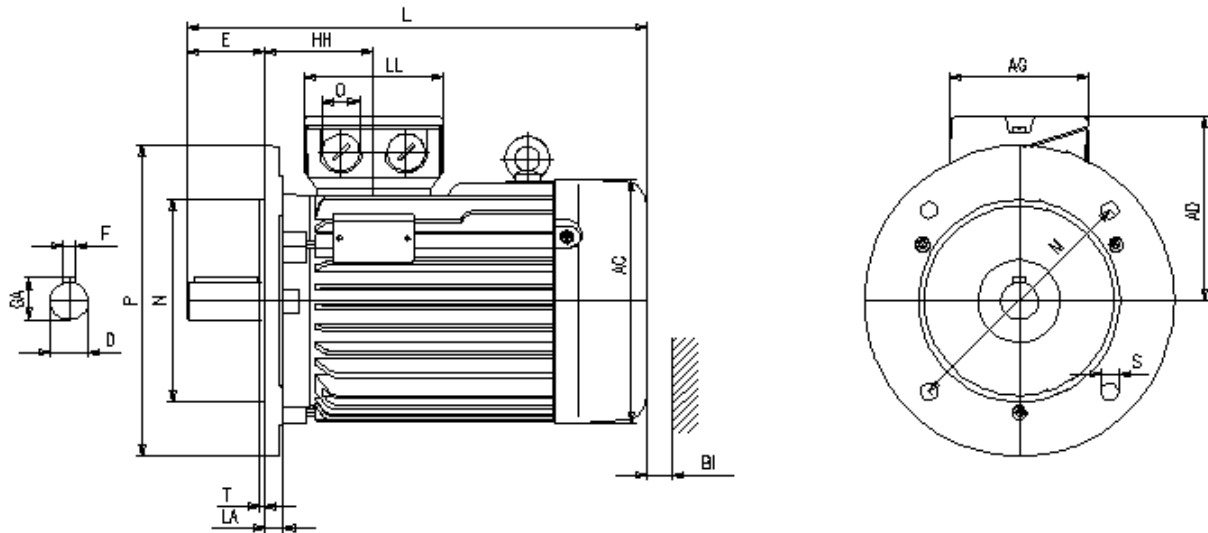
IE3-W42R 132 SY4

Mounting position



Type of mounting: IMB5
Flange: FF 265[A 300]
Position of terminal box: on the top
Brake type:
Forced-ventilation:

Terminal box: KK 25 A
Cable gland O: 1 xSealing plug



Motor

A	AA	AB	AC	AD	B	B'	BA	BA'	BB	C	CA	K	K'
-	-	-	217	178	-	-	-	-	-	-	-	-	-
L	LC	H	HA	HD	HH	BI	Protection cover			AG	LL	Terminal box	
527	-	132	-	-	107	35	L			156	145	BE	AH

Flange

P	N	LA	M	T	S	Tolerances			
300	230	12	265	4	14	H	N	D	DA
						-0,5	j6	k6	k6

Shaft-DS

D	E	GA	F	DB
38	80	41	10	DIN 332 DS- M12

Shaft-NS

DA	EA	GC	FA
-	-	-	-

DB...Centre hole

Delivery conditions and/or official regulations: IEC / EN 60034-1

This document was produced electronically, all specifications are valid only after confirmation of the manufacturer