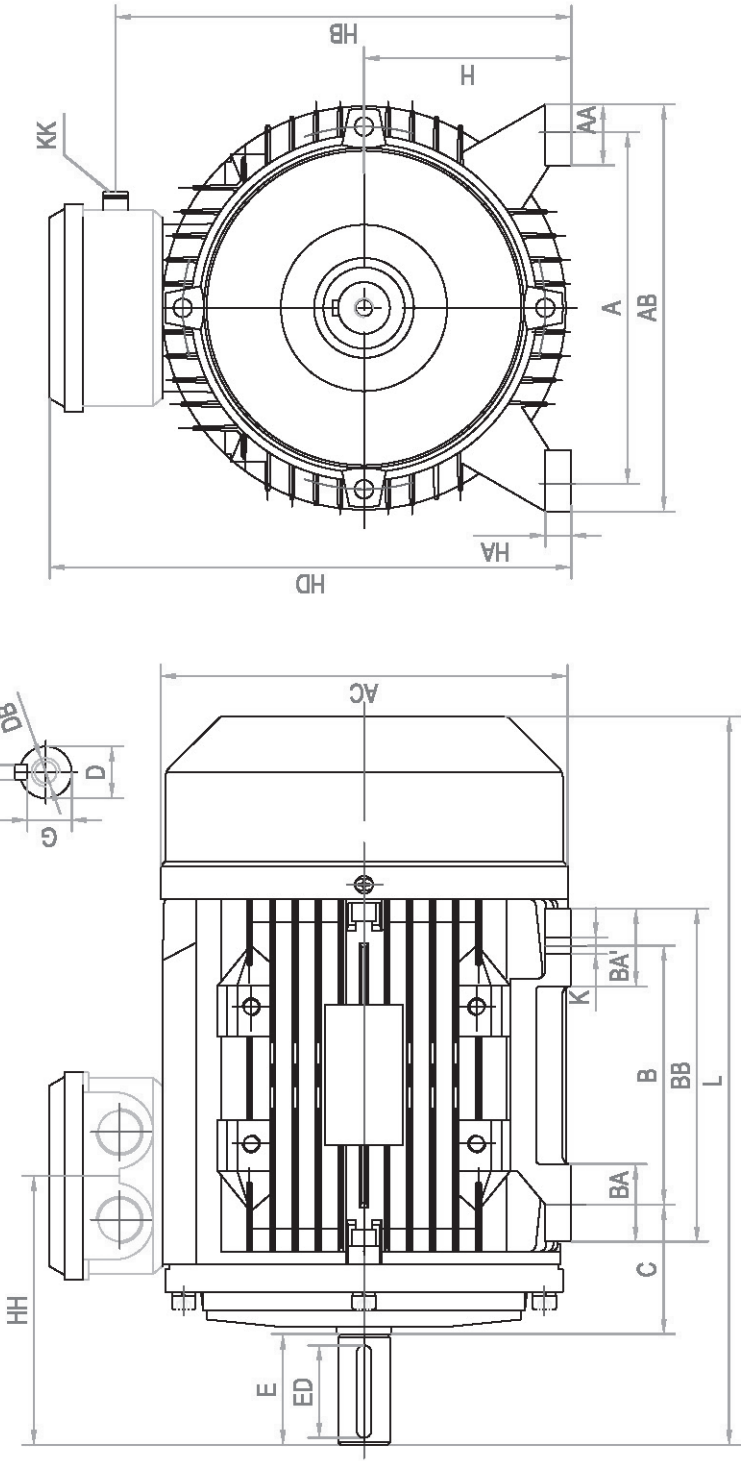


CLIENT:		FRAME	112	KW	
		VOLTS		RPM	
MS112M-2	4				
MS112L-2	5.5				
MS112M1-4	4				
MS112L-4	5.5				
MS112M-6	2.2				
MS112M-8	1.5				
EMS112M-2	4				
EMS112M2-2	5.5				
EMS112M-4	4				
EMS112M2-4	5.5				
EMS112M-6	2.2				



FOOT-OR-FLANGE-MOUNTING

SHAFT EXT.DE ONLY

WEIGHT(kg)

A	AA	AB	AC	B	BA	BA'	BB	C	H	HA	HB	HD	HH	K	KK	L	D	DB	E	ED	F	G
190	55	220	Ø230	140	42	42	180	70	112	14	247.5	286	148	12X16	2-M25X1.5	400	Ø28	M10X22	60	50	8	24

DATE		DESIGNED BY		CHECKED BY	
ISSUE		ISSUE		APPROVED BY	
ISSUE		ISSUE		CERTIFIED BY	
ISSUE		ISSUE		CERTIFIED BY	
ISSUE		ISSUE		CERTIFIED BY	
ISSUE		ISSUE		CERTIFIED BY	

112 B3

DIMENSION OUTLINE

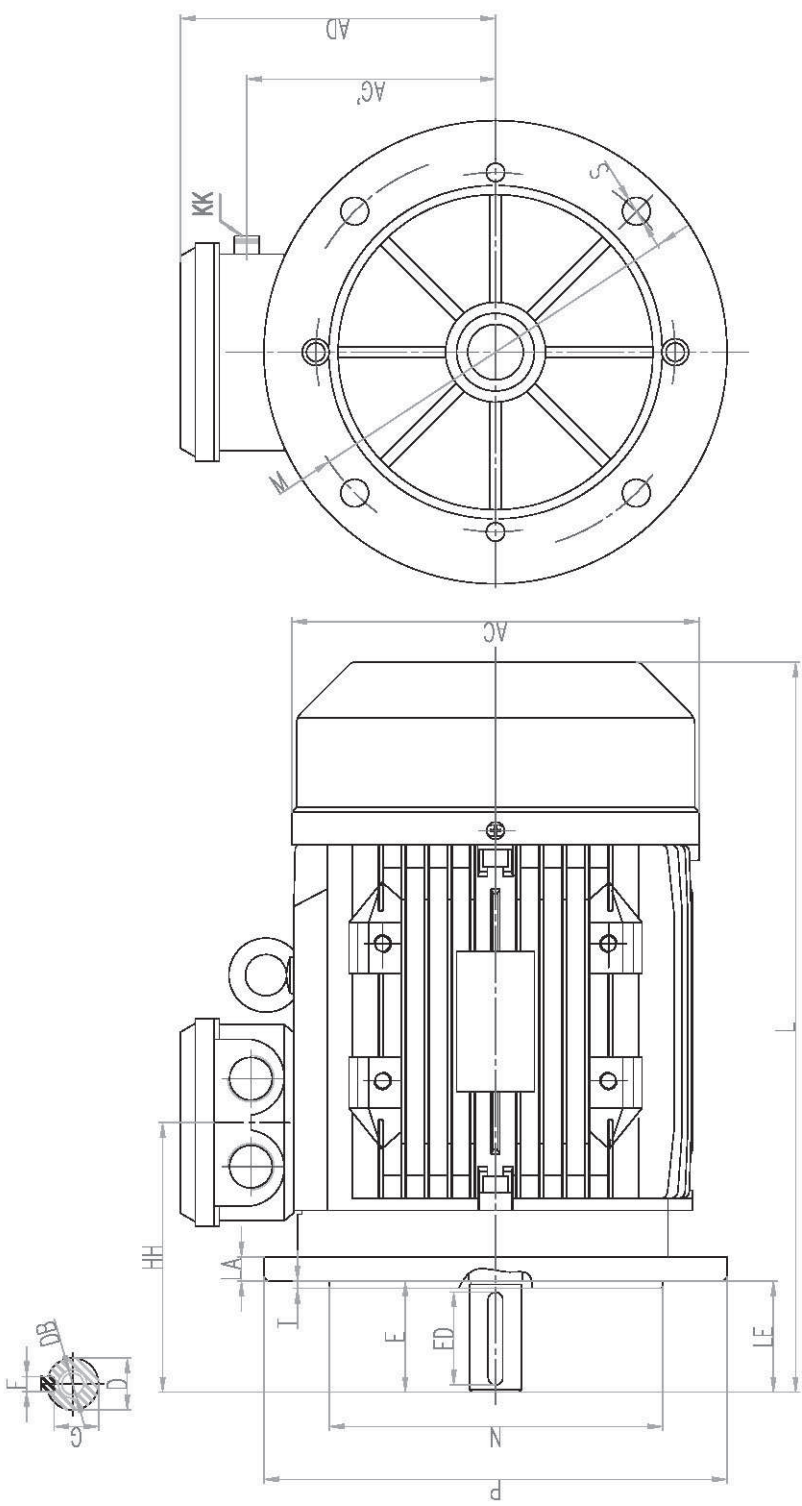


CUSTOMER APPROVAL

SIGNATURE

DATE

FRAME	KW
MS112M-2	4
MS112L-2	5.5
MS112M1-4	4
MS112L-4	5.5
MS112M-6	2.2
MS112M-8	1.5
EMS112M-2	4
EMS112M2-2	5.5
EMS112M-4	4
EMS112M-6	2.2
CLIENT:	
FRAME	112
VOLTS	
	RPM



OUTLINE DIMENSIONS FLANGE MOUNTED MOTORS

SHAFT EXT.DE ONLY

AC	AD	AG'	KK	L	LA	LA	HH	LE	M	N	P	S	T	D	DB	E	ED	F	G
φ230	174	135.5	2-M25x1.5	400	13	148	60	φ215	φ180	φ250	4-φ15	4.0		φ28	M10x22	60	50	8	24

DATE	CHECKED BY	
DESIGNED BY	APPROVED BY	
ISSUE	DATE	CERTIFIED BY
ISSUE	DATE	CERTIFIED BY
ISSUE	DATE	CERTIFIED BY
ISSUE	DATE	CERTIFIED BY

112 B5

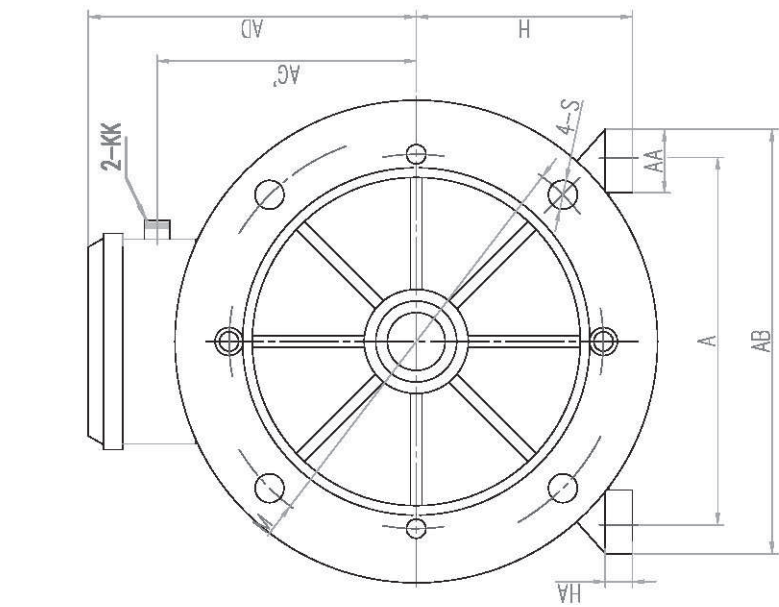
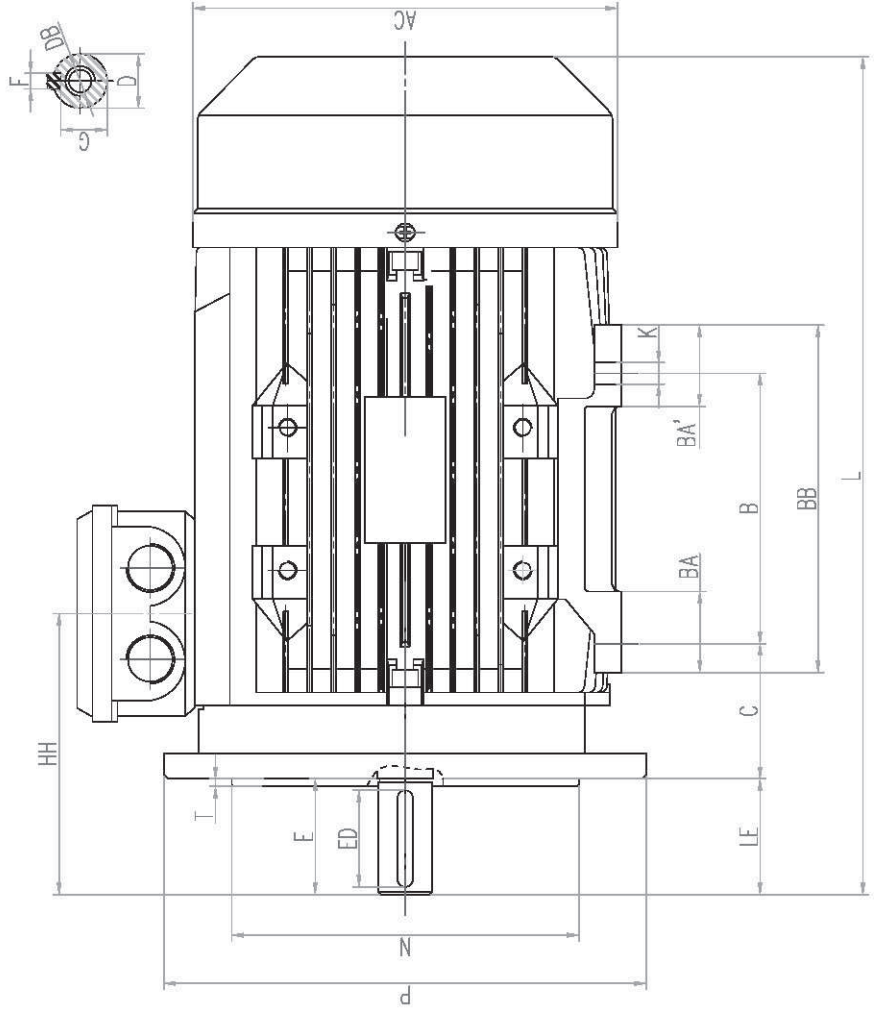
DIMENSION OUTLINE



CUSTOMER APPROVAL _____ SIGNATURE _____ DATE _____

FRAME	KW
MS112M-2	4
MS112L-2	5.5
MS112M1-4	4
MS112L-4	5.5
MS112M-6	2.2
MS112M-8	1.5
EMS112M-2	4
EMS112M2-2	5.5
EMS112M-4	4
EMS112M-6	2.2

CLIENT: _____
 FRAME _____
 KW _____
 RPM _____
 VOLTS _____



OUTLINE DIMENSIONS FLANG MOUNTED MOTORS

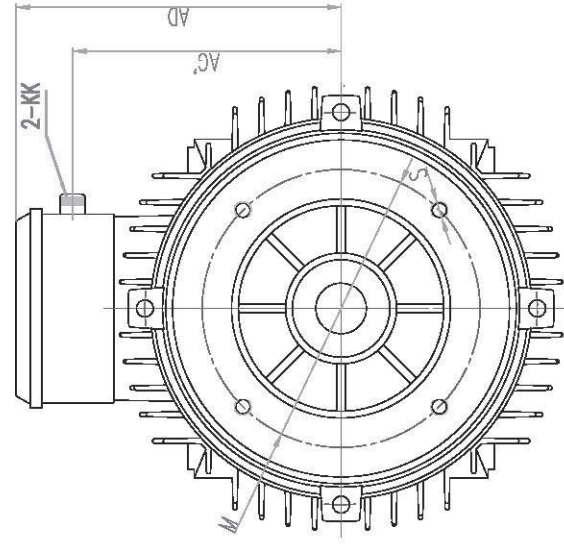
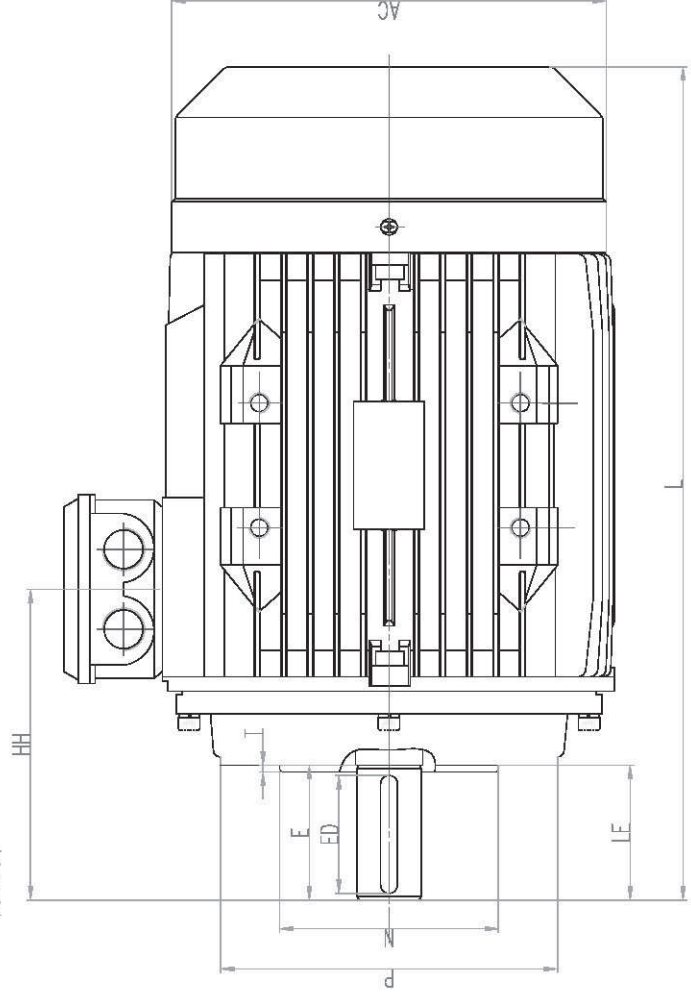
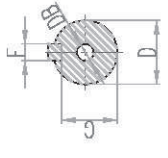
SHAFT EXT. DE ONLY																												
A	AA	AB	AC	AD	B	BB	BA	BA'	LE	HH	C	H	HA	K	KK	L	M	N	P	S	T	D	DB	E	ED	F	G	
190	55	220	135.5	φ230	174	140	180	42	42	60	148	70	112	14	12X16	M25X1.5	400	φ215	φ180	φ250	φ15	4	φ28	M10x22	60	50	8	24

112 B35		DATE	CHECKED BY
DIMENSION OUTLINE		DESIGNED BY	APPROVED BY
		ISSUE	CERTIFIED BY
		ISSUE	CERTIFIED BY
		ISSUE	CERTIFIED BY
		ISSUE	CERTIFIED BY

CUSTOMER APPROVAL _____ SIGNATURE _____ DATE _____



FRAME	KW	
MS112M-2	4	
MS112L-2	5.5	
MS112M1-4	4	
MS112L-4	5.5	
MS112M-6	2.2	
MS112M-8	1.5	
EMS112M-2	4	
EMS112M2-2	5.5	
EMS112M-4	4	
EMS112M-6	2.2	
CLIENT:	FRAME 112	VOLTS
	KW	RPM



OUTLINE DIMENSIONS FLANGE MOUNTED MOTORS

SHAFT EXT. DE ONLY

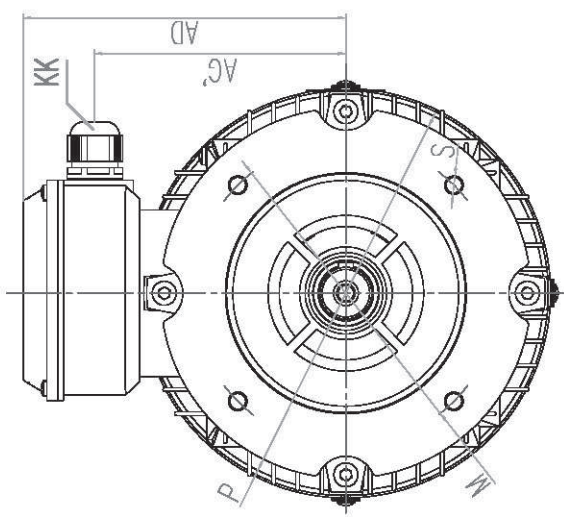
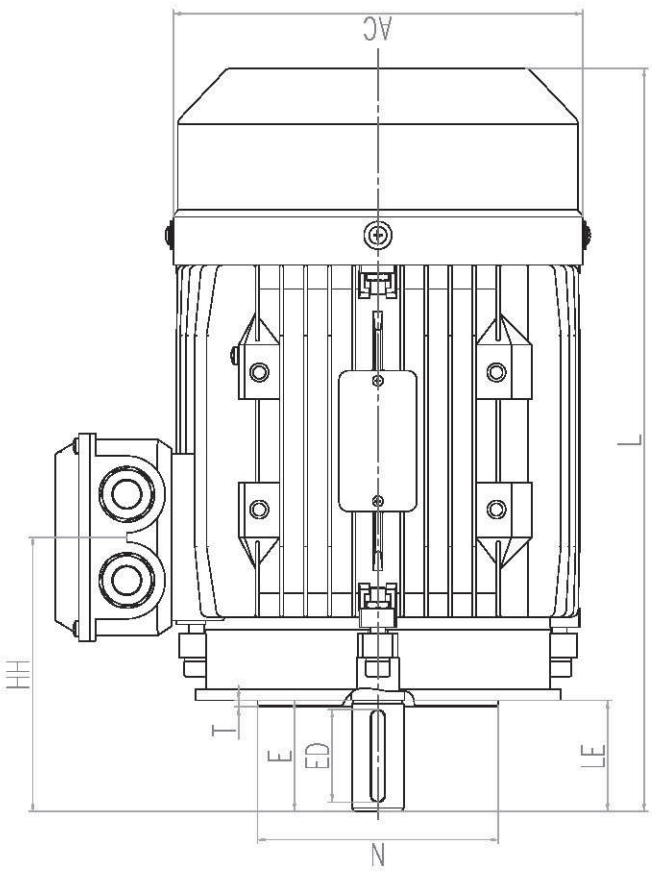
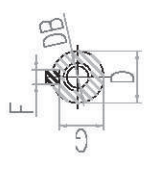
AC	AD	AG'	KK	L	HH	LE	M	N	P	S	T	D	DB	E	ED	F	G
φ230	174	135.5	M25×1.5	400	148	60	φ130	φ110	φ160	4-M8	3.5	φ28	M10×22	60	50	8	24

CUSTOMER APPROVAL _____ SIGNATURE _____ DATE _____

112 B14A	DATE	CHECKED BY	
DIMENSION OUTLINE	DESIGNED BY	APPROVED BY	
	ISSUE	DATE	CERTIFIED BY
	ISSUE	DATE	CERTIFIED BY
	ISSUE	DATE	CERTIFIED BY
	ISSUE	DATE	CERTIFIED BY

FRAME	KW
MS112M-2	4
MS112L-2	5.5
MS112M1-4	4
MS112L-4	5.5
MS112M-6	2.2
MS112M-8	1.5
EMS112M-2	4
EMS112M2-2	5.5
EMS112M-4	4
EMS112M-6	2.2

CLIENT: FRAME 112 KW VOLTS RPM



OUTLINE DIMENSIONS FLANGE MOUNTED MOTORS

AC	AD	AG'	KK	L	HH	LE	M	N	P	S	T	D	DB	E	ED	F	G
φ230	174	135.5	2-M25x1.5	400	148	60	φ165	φ130	φ200	4-M10	3.5	φ28	M10x22	60	50	8	24

SHAFT EXT.DE ONLY

DATE		CHECKED BY
DESIGNED BY		APPROVED BY
ISSUE	DATE	CERTIFIED BY
ISSUE	DATE	CERTIFIED BY
ISSUE	DATE	CERTIFIED BY
ISSUE	DATE	CERTIFIED BY

112 B14B

DIMENSION OUTLINE



CUSTOMER APPROVAL

SIGNATURE

DATE