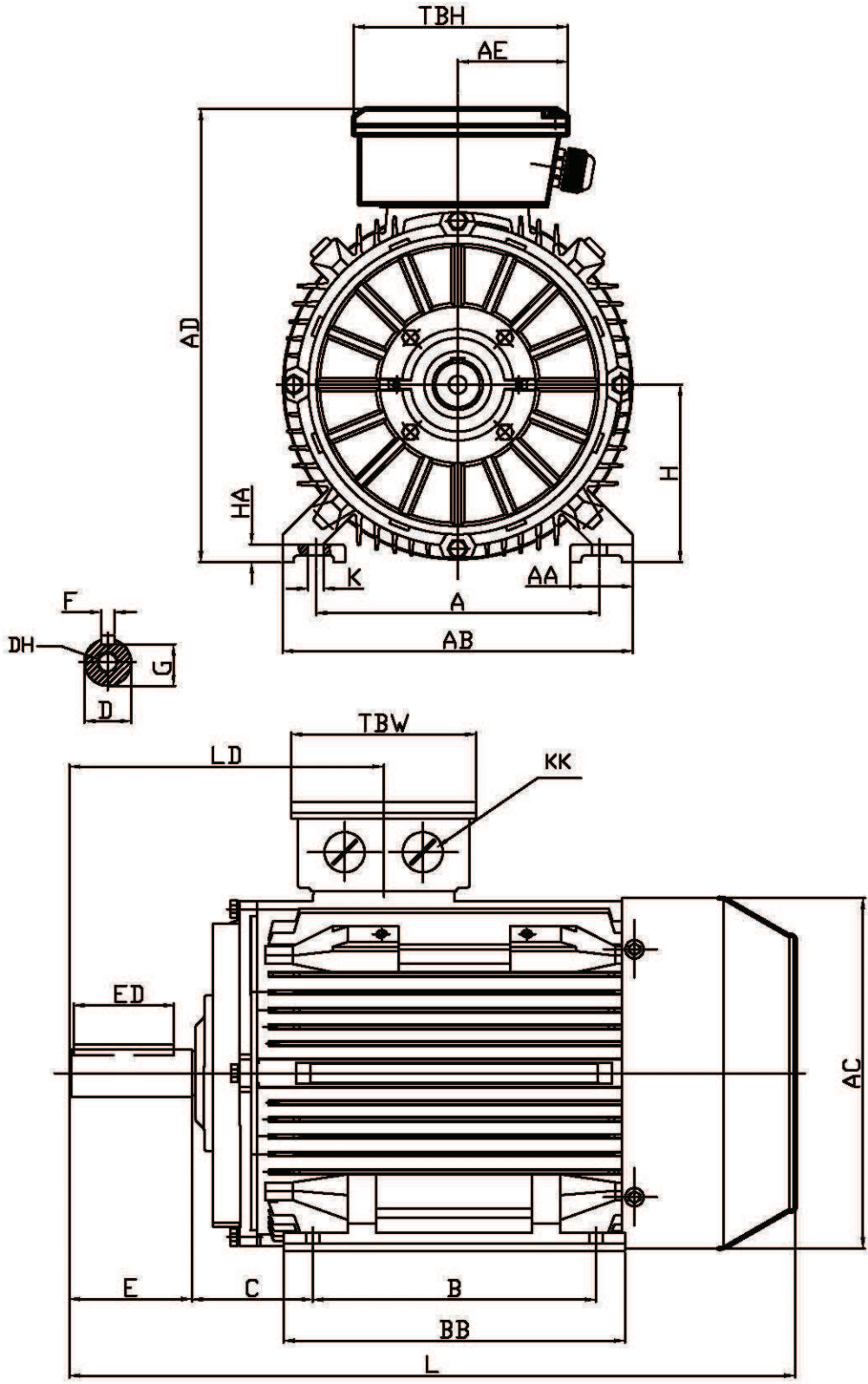



**DIMENSIONS**

A	254
AA	60
AB	314
AC	313
AD	410
AE	93.5
B	254
BB	306
C	108 ±3.0
H	160 <sup>0</sup> / <sub>-0.5</sub>
HA	17
TBH	187
TBW	162
LD	282
KK	2-M32
K	15 <sup>+0.430</sup> / <sub>0</sub>
L	650
E	110 ±0.43
ED	90
F	12 <sup>0</sup> / <sub>-0.043</sub>
DH	C16 x36
G	37 <sup>0</sup> / <sub>-0.20</sub>
D	42 <sup>+0.018</sup> / <sub>+0.002</sub>



DIMENSION OUTLINE	DRAWN		
160L B3	DATE		
	CHK		
	APPD		
		REV	

**DIMENSIONS**

AC 313

AE 93.5

TBH 187

TBW 162

LD 282

KK 2-M32

L 650

E 110 ±0.43

ED 90

F 12<sup>0</sup><sub>-0.043</sub>

DH C16×36

G 37<sup>0</sup><sub>-0.20</sub>

D 42<sup>+0.018</sup><sub>+0.002</sub>

M 300

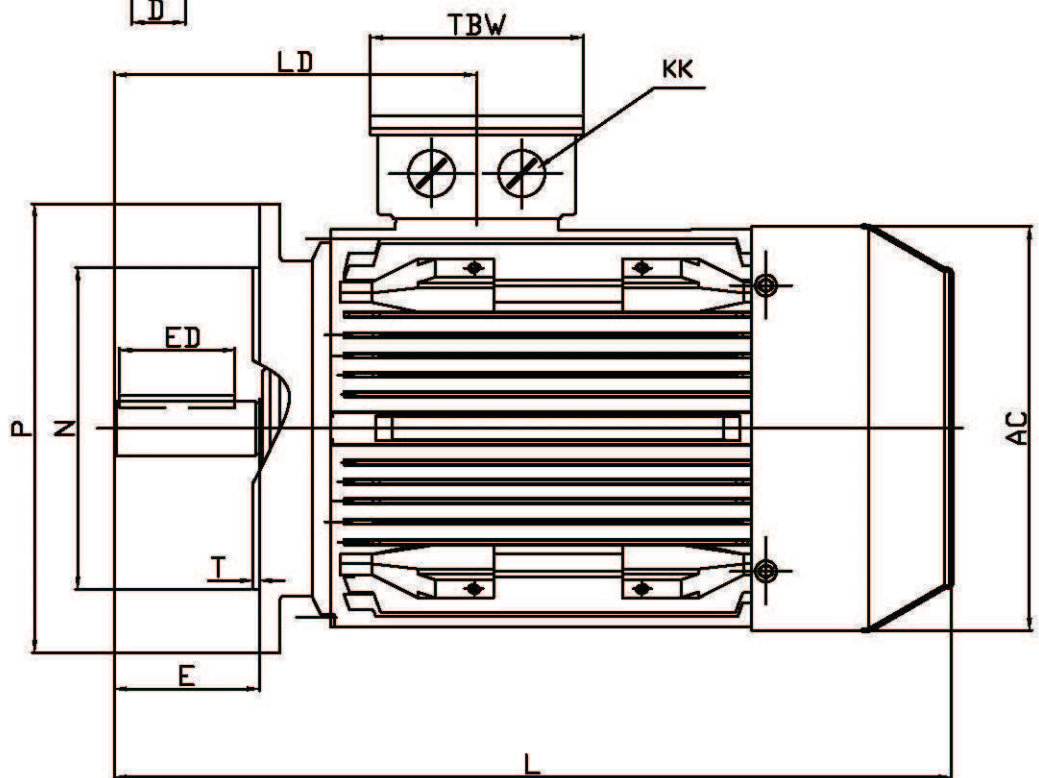
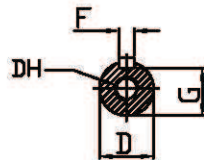
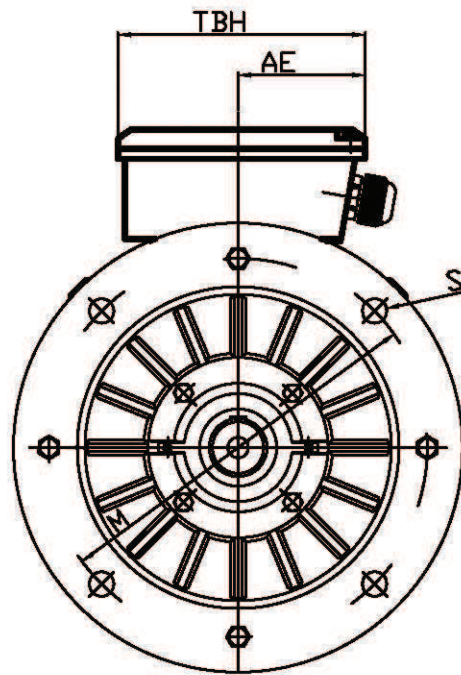
S 4-19

T 5

N 250

P 350

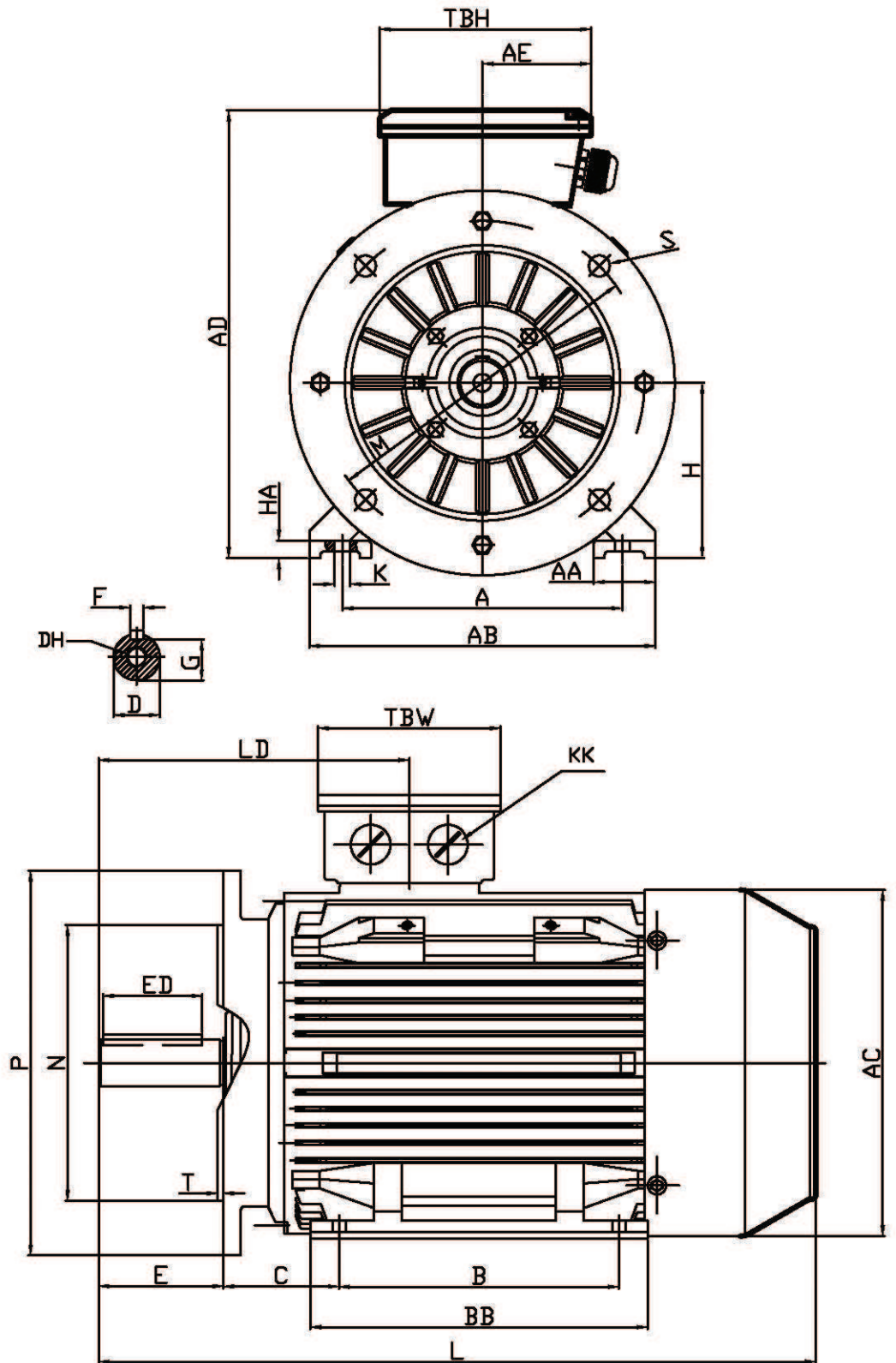
WEIGHT



DIMENSION OUTLINE	DRAWN		
160L B5	DATE		
	CHK		
	APPD		
		REV	

**DIMENSIONS**

A	254
AA	60
AB	314
AC	313
AD	410
AE	93.5
B	254
BB	306
C	108 ±3.0
H	160 <sup>0</sup> <sub>-0.5</sub>
HA	17
TBH	187
TBW	162
LD	282
KK	2-M32
K	15 <sup>+0.430</sup> <sub>0</sub>
L	650
E	110 ±0.43
ED	90
F	12 <sup>0</sup> <sub>-0.043</sub>
DH	C16×36
G	37 <sup>0</sup> <sub>-0.20</sub>
D	42 <sup>+0.018</sup> <sub>+0.002</sub>
M	300
S	4-19
T	5
N	250
P	350



DIMENSION OUTLINE	DRAWN		
160L B35	DATE		
	CHK		
	APPD		
		REV	