

OUTLINE DIMENSIONS FOOT MOUNTED MOTORS

A	406
AA	100
AB	485
AC	520
HD	635
B	349
BB	450
C	168
D	60(250M-2P) 65(250M-4-6P)
E	140
ED	100
F	18
G	53(250M-2P) 58(250M-4-6P)
GD	11
H	250
HA	33
K	24
KK	M63X15
L	945
LG	360
DH	M20X42

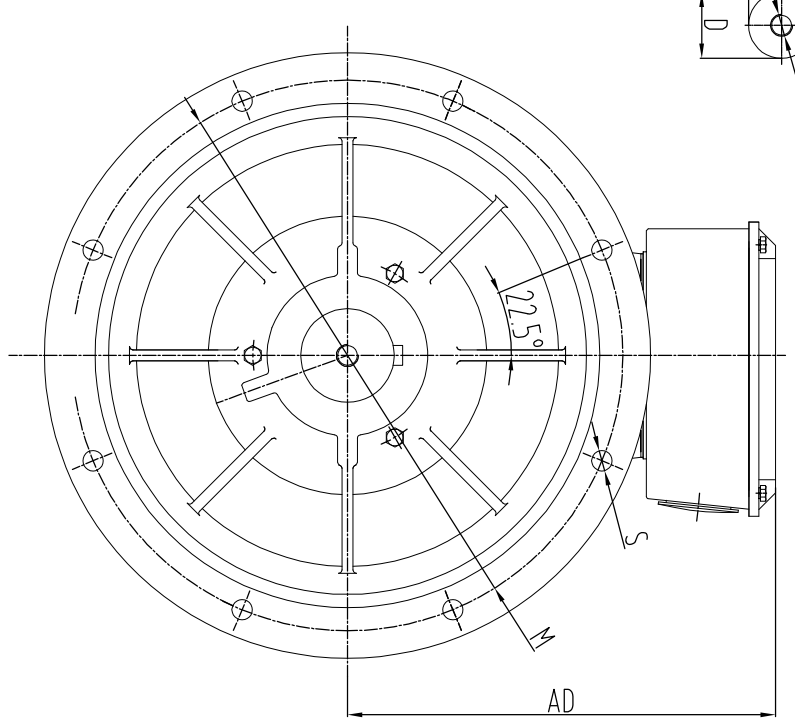
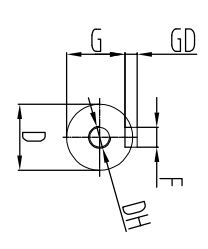
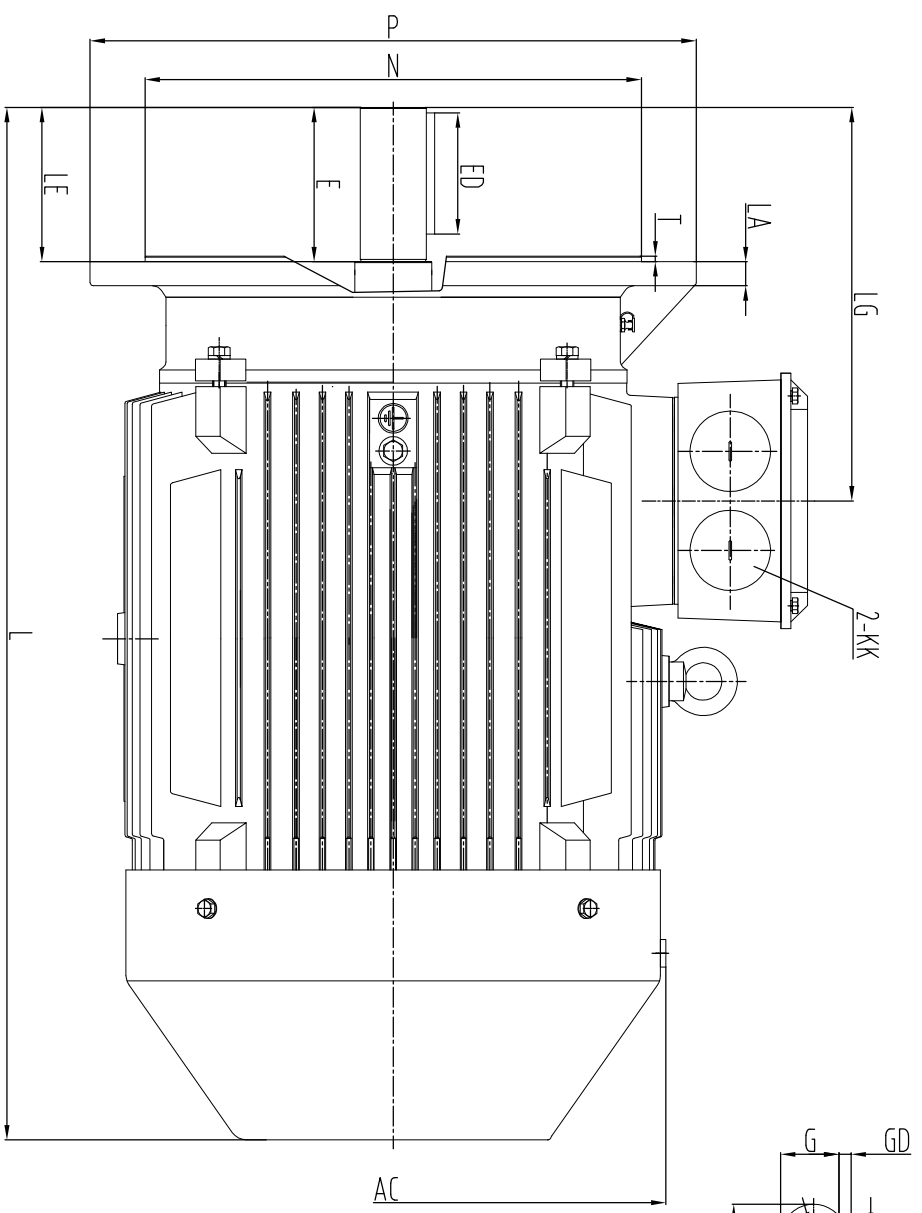
CUSTOMER APPROVAL _____

SIGNATURE _____

DATE _____

YE3-25(B3)
DIMENSION OUTLINE

DATE	CHK
DRAWN	APPD
ISSUE A DATE	CERTIFIED BY
ISSUE B DATE	CERTIFIED BY
ISSUE C DATE	CERTIFIED BY
ISSUE D DATE	CERTIFIED BY



OUTLINE DIMENSIONS FLANGE MOUNTED MOTORS

AC	AD	D	E	ED	F	G	GD	KK	L	LG	LA	M	N	P	S	T	DH	LE
520	385	60(250-2P) 65(250-4-6P)	140	110	18	53(250-2P) 58(250-4-6P)	11	M63X1.5	945	360	20	500	450	550	8xφ18.5	5	M20X42	140

CUSTOMER APPROVAL _____ SIGNATURE _____ DATE _____

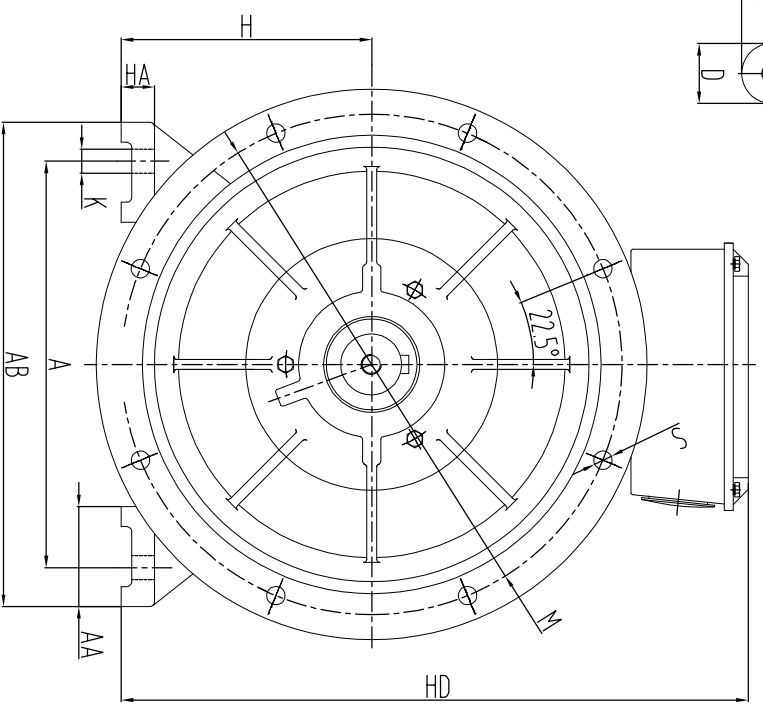
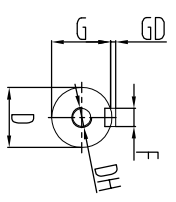
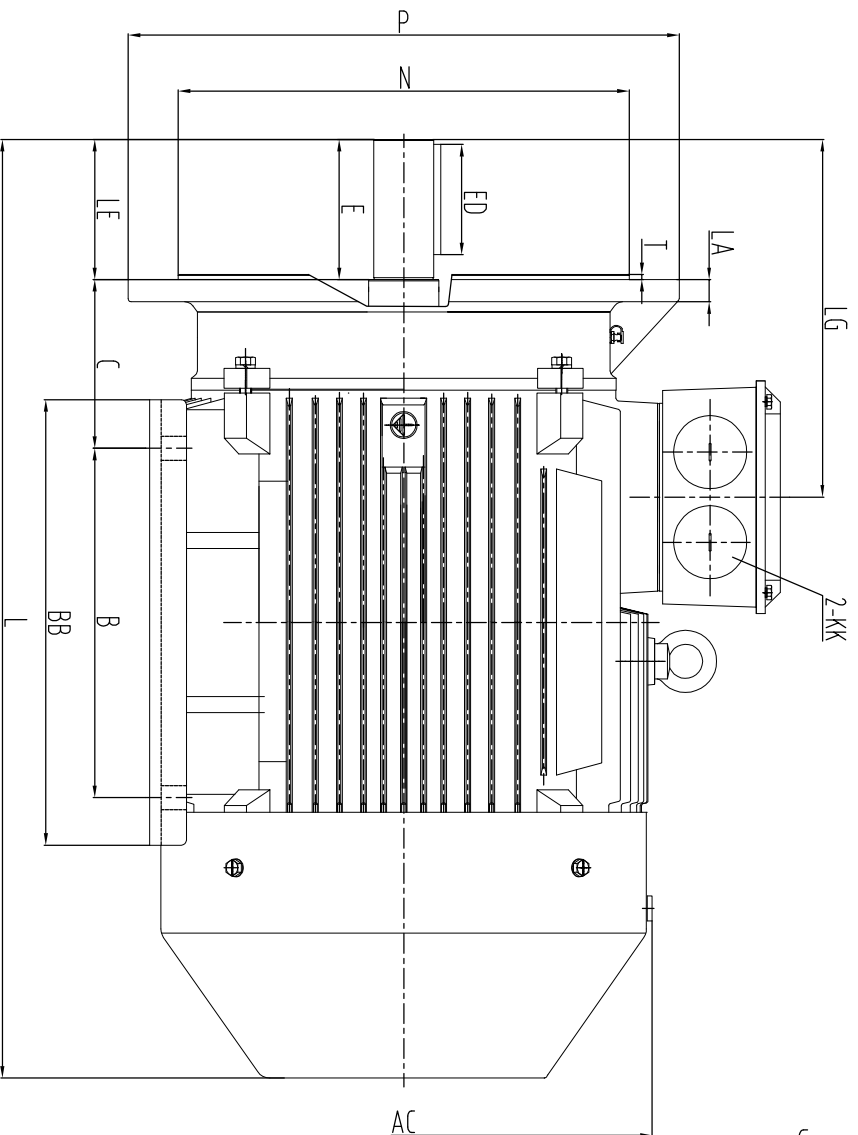
YE3-250(B5)

DIMENSION OUTLINE

DATE		CHK	
DRAWN		APPD	
ISSUE A DATE		CERTIFIED BY	
ISSUE B DATE		CERTIFIED BY	
ISSUE C DATE		CERTIFIED BY	
ISSUE D DATE		CERTIFIED BY	

修改
校对
审核
工艺
制图
设计
校对
审核
工艺
制图
设计
批准

1	2	3	4	5	6	7	8	9	10	11	12	13	14	15	16
---	---	---	---	---	---	---	---	---	----	----	----	----	----	----	----



OUTLINE DIMENSIONS FOOT AND FLANGE MOUNTED MOTORS

A	406
AA	100
AB	485
AC	520
AD	635
B	349
BB	450
C	168
D	60(250-2P) 65(250-4-6P)
E	140
ED	110
F	18
G	53(250-2P) 58(250-4-6P)
GD	11
H	250
HA	33
K	24
KK	M63X1.5
L	945
LG	360
LA	20
M	500
N	450
P	550
S	8xØ18.5
T	5
LE	140
DH	M20X4.2

YE3-250(B35)
DIMENSION OUTLINE

DATE	CHK	DATE	CHK
DRAWN	APPD	DATE	CERTIFIED BY
ISSUE A	CERTIFIED BY	ISSUE B	CERTIFIED BY
ISSUE C	CERTIFIED BY	ISSUE D	CERTIFIED BY
Shandong Sunwin Electrical Machinery CO.,LTD			

CUSTOMER APPROVAL

SIGNATURE

DATE

修改
校对
审核
工艺
结构
设计
制图
审核
工艺
结构
设计
制图

1	2	3	4	5	6	7	8	9	10	11	12	13	14	15	16
---	---	---	---	---	---	---	---	---	----	----	----	----	----	----	----