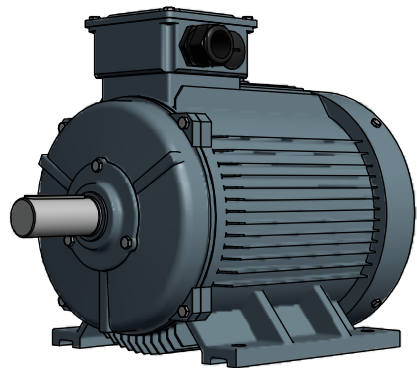
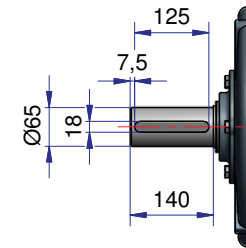


Shaft detail



FRA1-250M B3 - 4 Pole IE3