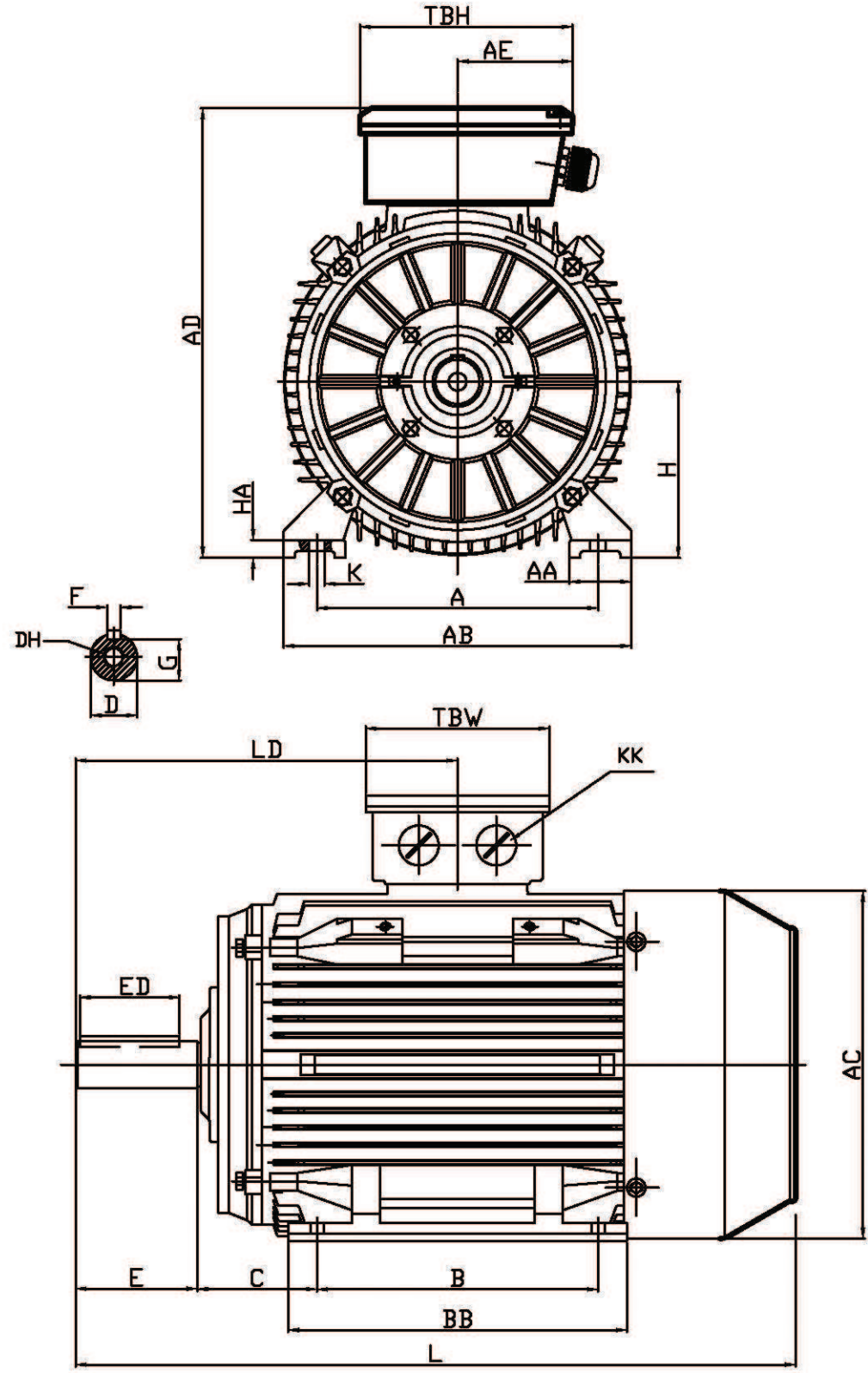


DIMENSIONS	
A	318
AA	80
AB	388
AC	399
AD	500
AE	116.5
B	305
BB	358
C	133 ± 3.0
H	$200 \begin{smallmatrix} 0 \\ -0.5 \end{smallmatrix}$
HA	25
TBH	233
TBW	186
LD	395
KK	2-M40
K	$19 \begin{smallmatrix} +0.430 \\ 0 \end{smallmatrix}$
L	768
E	110 ± 0.43
ED	90
F	$16 \begin{smallmatrix} 0 \\ -0.043 \end{smallmatrix}$
DH	C20×42
G	$49 \begin{smallmatrix} 0 \\ -0.20 \end{smallmatrix}$
D	$55 \begin{smallmatrix} +0.030 \\ +0.011 \end{smallmatrix}$



DIMENSION OUTLINE	DRAWN		
200L B3	DATE		
	CHK		
	APPD		
		REV	