

CLIENT:		
FRAME	KW	RPM
VOLTS		

OUTLINE DIMENSIONS FOOT MOUNTED MOTORS

SHAFT EXT.DE ONLY

WEIGHT

A	AA	AB	AC	AD'	AG	B	BB	C	H	HA	HD	K	KK	L	LG	D	E	ED	F	G	GD
508	120	635	650	495	195	508	625	216	315	45	820	28	M63X1.5	1300	417	80	170	140	22	71	14

CUSTOMER APPROVAL \_\_\_\_\_

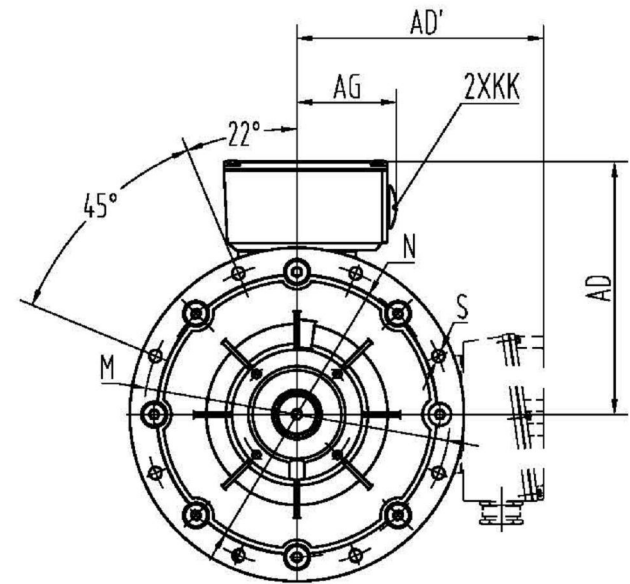
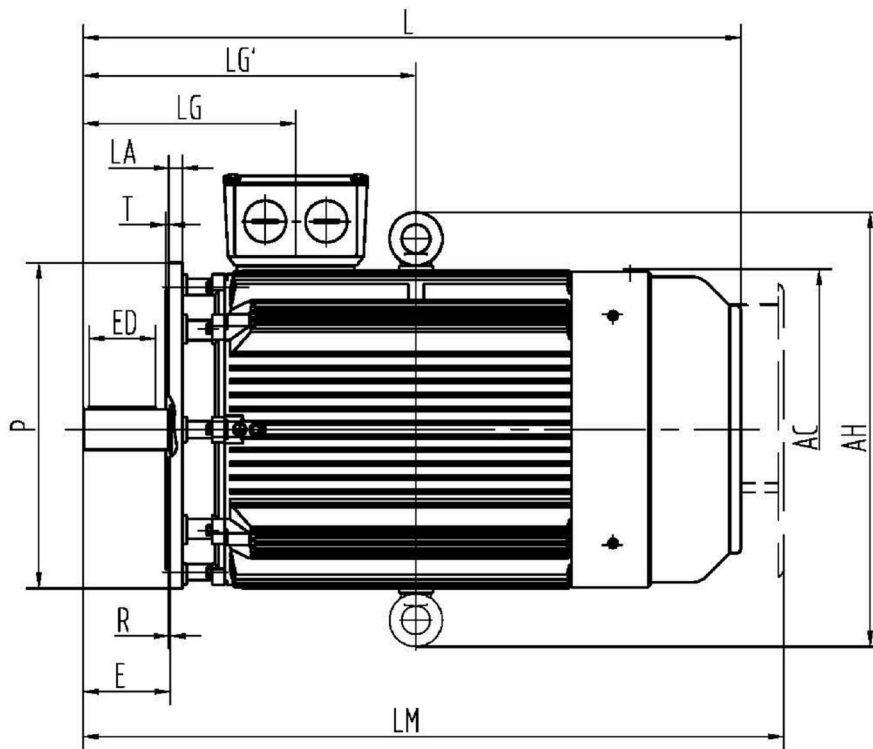
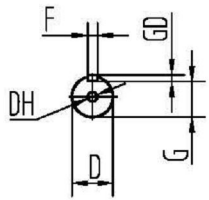
SIGNATURE

DATE

YX3-315L-4-6P (B3)  
DIMENSION OUTLINE



DATE	2005.12.5	CHK	
DRAWN		APPD	
ISSUE A	DATE	CERTIFIED BY	
ISSUE B	DATE	CERTIFIED BY	
ISSUE C	DATE	CERTIFIED BY	
ISSUE D	DATE	CERTIFIED BY	



CLIENT:		
	FRAME	KW
	VOLTS	RPM

OUTLINE DIMENSIONS FLANGE MOUNTED MOTORS

SHAFT EXT.DE ONLY

WEIGHT

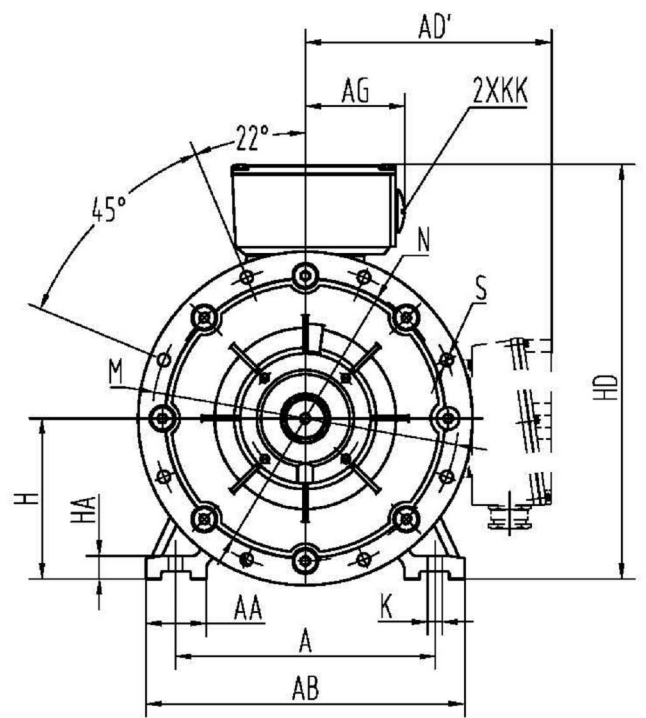
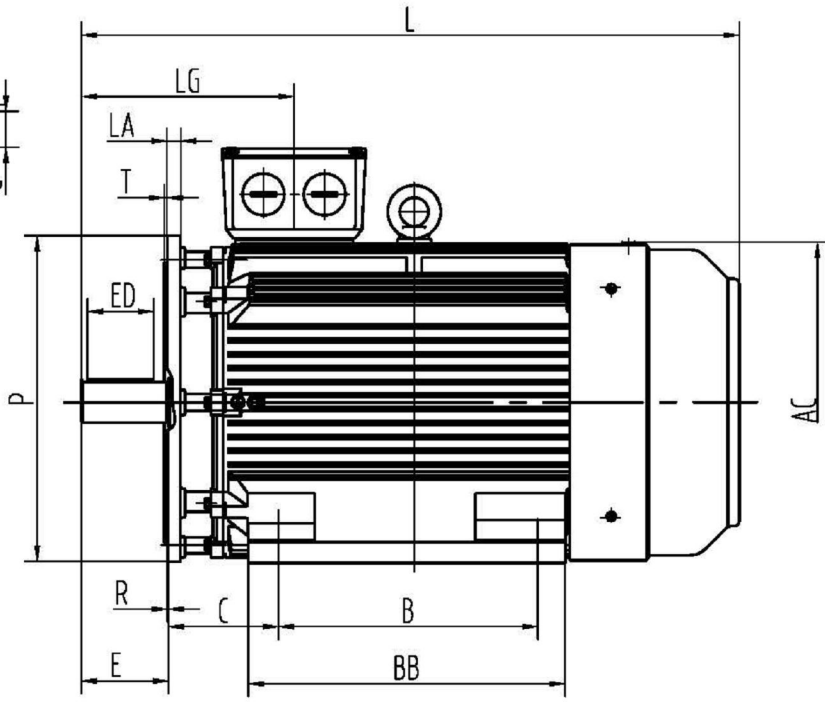
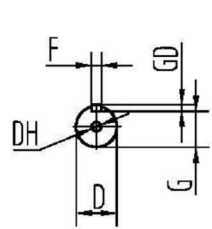
AC	AD	AD'	AG	AH	KK	L	LG	LG'	LM	LA	M	N	P	R	S	T	D	DH	E	ED	F	G	GD
650	500	495	195	870	M63X1.5	1300	417	647	1398	24	600	550	660	0	24	6	80	M20X4.2	170	140	22	71	14

CUSTOMER APPROVAL \_\_\_\_\_  
SIGNATURE DATE

YX3-315M.L-4-6P (V1)  
DIMENSION OUTLINE



DATE	2005.12.5	CHK	
DRAWN		APPD	
ISSUE A	DATE	CERTIFIED BY	
ISSUE B	DATE	CERTIFIED BY	
ISSUE C	DATE	CERTIFIED BY	
ISSUE D	DATE	CERTIFIED BY	



CLIENT:			
FRAME	KW	RPM	
VOLTS			

OUTLINE DIMENSIONS FOOT-FLANGE MOUNTED MOTORS

SHAFT EXT.DE ONLY

WEIGHT

A	AA	AB	AC	AD'	AG	B	BB	C		H	HA	HD	K	KK	L	LG		D	DH	E	ED	F	G	GD	
508	120	635	650	495	195	508	625	216		315	45	820	28	M63X1.5	1300	417		80	M20X4.2	170	140	22	71	14	

LA	M	N	P	R	S	T
24	600	550	660	0	24	6

CUSTOMER APPROVAL \_\_\_\_\_  
SIGNATURE \_\_\_\_\_ DATE \_\_\_\_\_

YX3-315L 4-6P (B35)  
DIMENSION OUTLINE



DATE	2005.12.5	CHK	
DRAWN		APPD	
ISSUE A	DATE	CERTIFIED BY	
ISSUE B	DATE	CERTIFIED BY	
ISSUE C	DATE	CERTIFIED BY	
ISSUE D	DATE	CERTIFIED BY	