

CLIENT:		
	KW	RPM
FRAME		
VOLTS		

OUTLINE DIMENSIONS FOOT MOUNTED MOTORS

SHAFT EXT.DE ONLY

WEIGHT

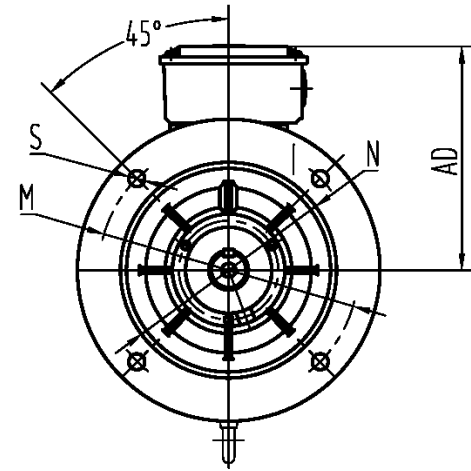
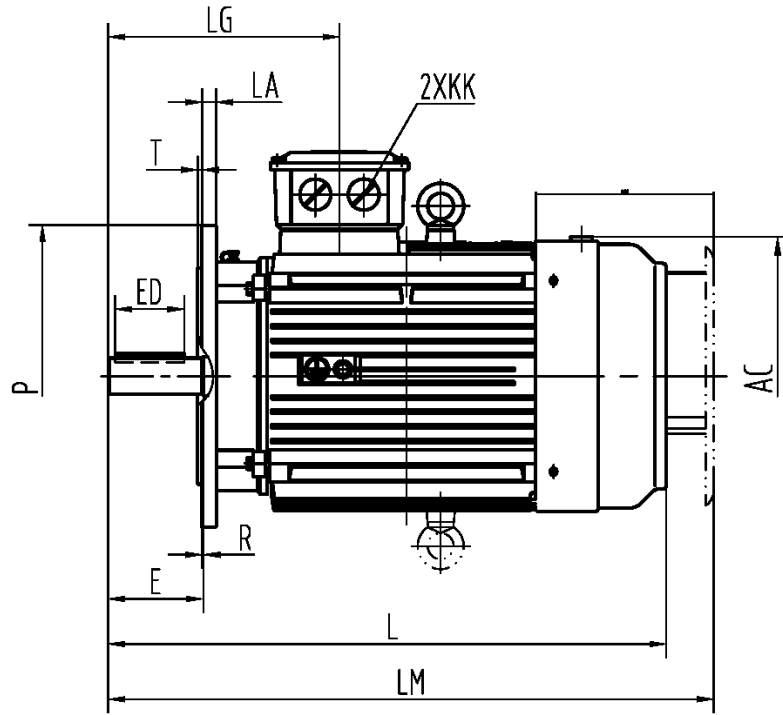
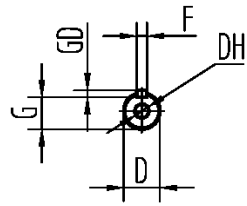
A	AA	AB	AC	B		BB	C	H		HA	HD	K	KK	L	LG	D	DH	E	ED	F	G	GD		
254	65	320	330	210(160M)	254(160L)	305(160M)	325(160L)	108	160	19	425	14.5	M40X1.5	655(160M)	675(160L)	267.5	42	M16X36	110	90	12	37	8	

CUSTOMER APPROVAL _____
 SIGNATURE _____ DATE _____

YX3-160 2-8P (B3)
 DIMENSION OUTLINE



DATE	2005.12.5	CHK	
DRAWN		APPD	
ISSUE A	DATE	CERTIFIED BY	
ISSUE B	DATE	CERTIFIED BY	
ISSUE C	DATE	CERTIFIED BY	
ISSUE D	DATE	CERTIFIED BY	



CLIENT:	FRAME	KW	RPM
	VOLTS		

OUTLINE DIMENSIONS FLANGE MOUNTED MOTORS

SHAFT EXT.DE ONLY

WEIGHT

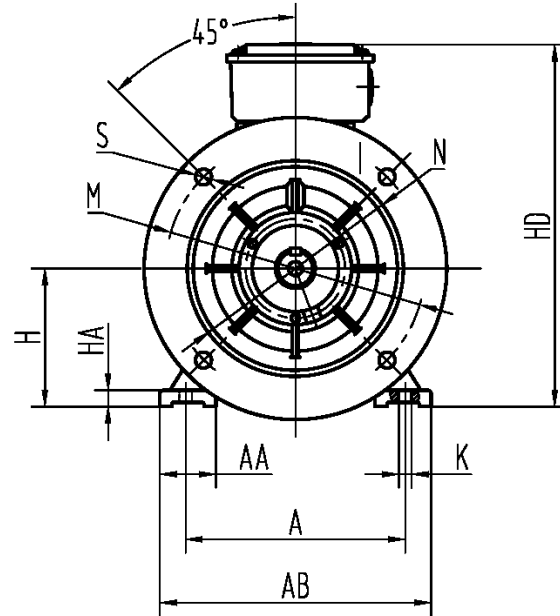
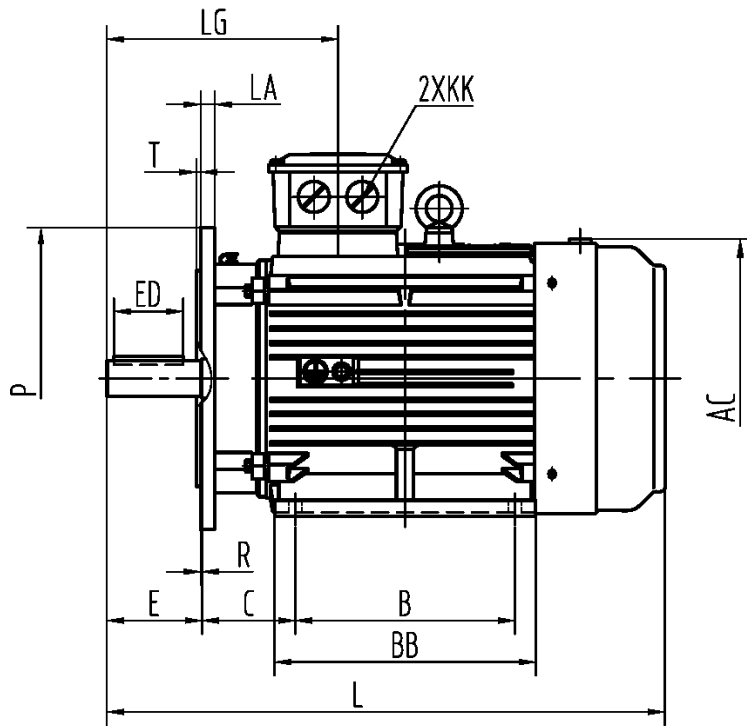
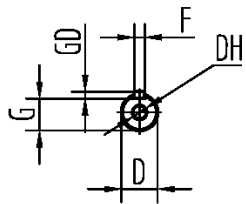
AC	AD				KK	L	LG		LA	M	N	P	R	S	T		D	DH	E	ED	F	G	GD	
330	265				M40X1.5	655(160M) 675(160L)	267.5		15	300	250	350	0	18.5	5		42	M16X36	110	90	12	37	8	

CUSTOMER APPROVAL _____
SIGNATURE DATE

YX3-160 2-8P (B5.V1)
DIMENSION OUTLINE



DATE	2005.12.5	CHK	
DRAWN		APPD	
ISSUE A	DATE	CERTIFIED BY	
ISSUE B	DATE	CERTIFIED BY	
ISSUE C	DATE	CERTIFIED BY	
ISSUE D	DATE	CERTIFIED BY	



CLIENT:			
FRAME	KW	RPM	
VOLTS			

OUTLINE DIMENSIONS FOOT-FLANGE MOUNTED MOTORS

SHAFT EXT.DE ONLY

WEIGHT

A	AA	AB	AC	B		BB	C	H	HA	HD	K	KK	L	LG	D	DH	E	ED	F	G	GD		
254	65	320	330	210(160M)	254(160L)	305(160M)	325(160L)	108	160	19	425	14.5	M40X1.5	655(160M)	675(160L)	267.5	42	M16X36	110	90	12	37	8

LA	M	N	P	R	S	T
15	300	250	350	0	18.5	5

CUSTOMER APPROVAL _____
SIGNATURE DATE

YX3-160 2-8P (B35)
DIMENSION OUTLINE



DATE	2005.12.5	CHK	
DRAWN		APPD	
ISSUE A	DATE	CERTIFIED BY	
ISSUE B	DATE	CERTIFIED BY	
ISSUE C	DATE	CERTIFIED BY	
ISSUE D	DATE	CERTIFIED BY	