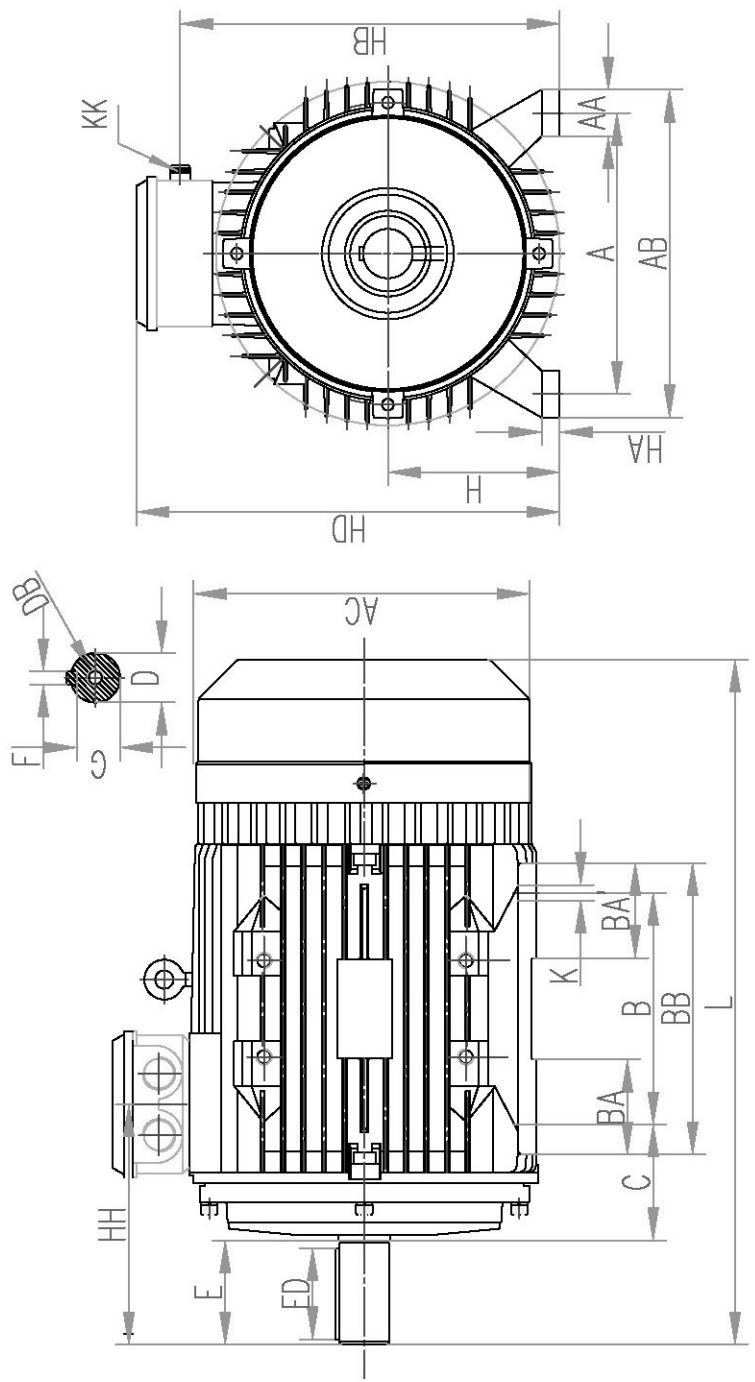


|         |            |                                |     |  |
|---------|------------|--------------------------------|-----|--|
| CLIENT: | FRAME      | 132L+extended<br>NDE endshield | KW  |  |
|         | VOLTS      |                                | RPM |  |
|         | FRAME      |                                | KW  |  |
|         | MS132L3-4  |                                | 11  |  |
|         | EMS132L2-4 |                                | 11  |  |



FOOT-OR-FLANGE-MOUNTING

SHAFT EXT.DE ONLY

WEIGHT(kg)

| A   | AA | AB  | AC    | B   | BA | BA" | BB  | C  | H   | HA | HB    | HD  | HH    | K     | KK        | L   | D    | DB     | E  | ED | F  | G  | WEIGHT(kg) |
|-----|----|-----|-------|-----|----|-----|-----|----|-----|----|-------|-----|-------|-------|-----------|-----|------|--------|----|----|----|----|------------|
| 216 | 36 | 252 | %Ø270 | 178 | 51 | 51  | 212 | 89 | 132 | 14 | 291.5 | 325 | 184.5 | 12X16 | 2-M25X1.5 | 525 | %Ø38 | M12X28 | 80 | 70 | 10 | 33 |            |

CUSTOMER APPROVAL

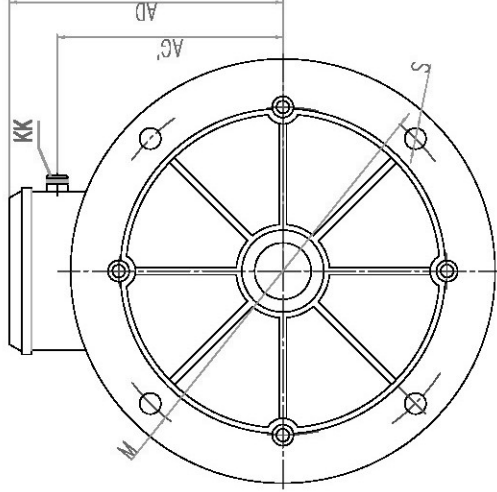
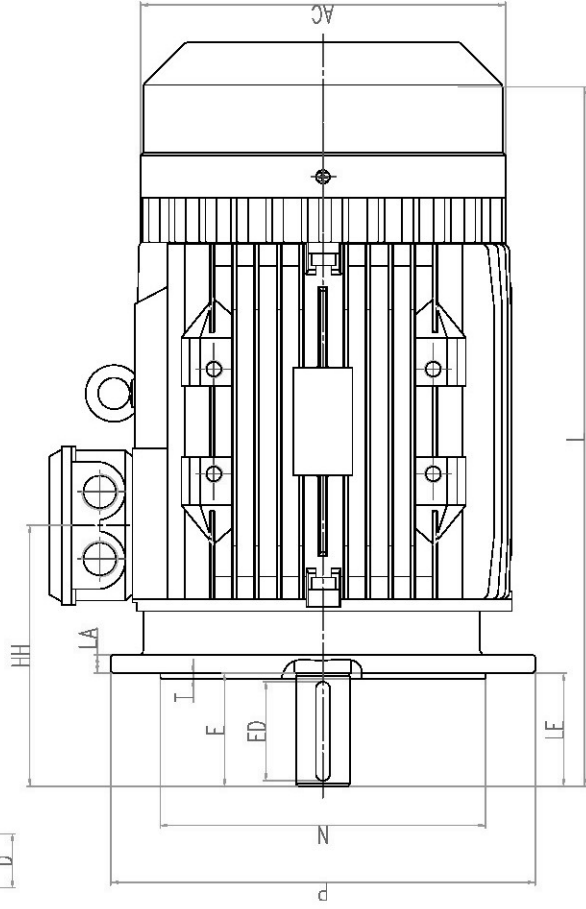
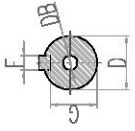
SIGNATURE \_\_\_\_\_ DATE \_\_\_\_\_

|  |  |             |              |
|--|--|-------------|--------------|
| MS132L+extended<br>NDE endshield B3<br>DIMENSION OUTLINE |  | DESIGNED BY | CHECKED BY   |
|  |  | ISSUE       | APPROVED BY  |
|  |  | ISSUE       | CERTIFIED BY |
|  |  | ISSUE       | CERTIFIED BY |
|  |  | ISSUE       | CERTIFIED BY |
|  |  | ISSUE       | CERTIFIED BY |

**ELECTRAMO**

| FRAME      | KW |
|------------|----|
| MS132L3-4  | 11 |
| EMS132L2-4 | 11 |
|            |    |
|            |    |
|            |    |
|            |    |
|            |    |
|            |    |
|            |    |

|         |       |       |     |  |
|---------|-------|-------|-----|--|
| CLIENT: | FRAME | 132L+ | KW  |  |
|         | VOLTS |       | RPM |  |



OUTLINE DIMENSIONS FLANGE MOUNTED MOTORS

SHAFT EXT. DE ONLY

| AC   | AD  | AG    | AG'   | KK        | L   | LA | HH    | LE | LE | M    | N    | P    | S     | T | D   | DB     | E  | ED | F  | G  |
|------|-----|-------|-------|-----------|-----|----|-------|----|----|------|------|------|-------|---|-----|--------|----|----|----|----|
| φ270 | 193 | 159.5 | 159.5 | 2-M25×1.5 | 525 | 13 | 184.5 | 80 |    | φ265 | φ230 | φ300 | 4-φ15 | 4 | φ38 | M12×28 | 80 | 70 | 10 | 33 |

132L+extended  
NDE endshield B5  
DIMENSION OUTLINE

| DATE | CHECKED BY | CERTIFIED BY |
|------|------------|--------------|
|      |            |              |
|      |            |              |

DESIGNED BY

| DATE | APPROVED BY | CERTIFIED BY |
|------|-------------|--------------|
|      |             |              |
|      |             |              |

ISSUE DATE

| ISSUE | DATE | CERTIFIED BY |
|-------|------|--------------|
|       |      |              |
|       |      |              |

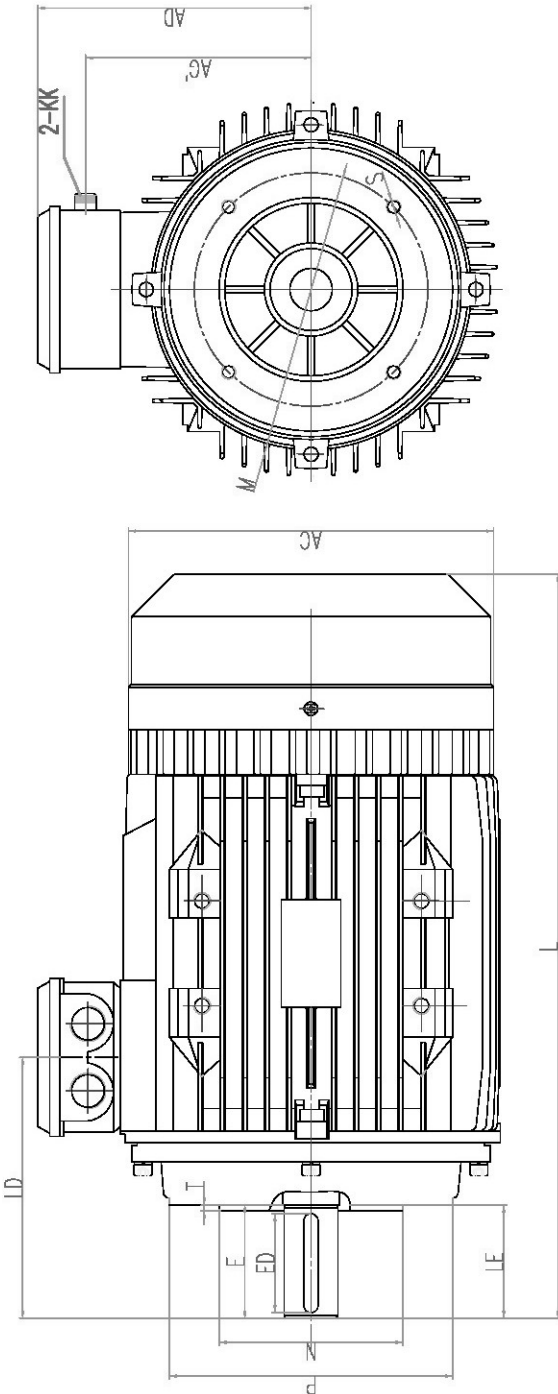
ISSUE DATE

| ISSUE | DATE | CERTIFIED BY |
|-------|------|--------------|
|       |      |              |
|       |      |              |

ISSUE DATE

CUSTOMER APPROVAL \_\_\_\_\_ SIGNATURE \_\_\_\_\_ DATE \_\_\_\_\_

|         |       |       |     |  |
|---------|-------|-------|-----|--|
| CLIENT: | FRAME | 132L+ | KW  |  |
|         | VOLTS |       | RPM |  |
|         | FRAME |       |     |  |
|         | KW    |       |     |  |
|         |       |       |     |  |
|         |       |       |     |  |
|         |       |       |     |  |
|         |       |       |     |  |
|         |       |       |     |  |
|         |       |       |     |  |
|         |       |       |     |  |
|         |       |       |     |  |
|         |       |       |     |  |
|         |       |       |     |  |
|         |       |       |     |  |
|         |       |       |     |  |



OUTLINE DIMENSIONS FLANGE MOUNTED MOTORS

| SHAFT EXT.DE ONLY |     |       |         |     |       |    |      |      |      |       |     |     |        |    |    |    |    |
|-------------------|-----|-------|---------|-----|-------|----|------|------|------|-------|-----|-----|--------|----|----|----|----|
| AC                | AD  | AG'   | KK      | L   | HH    | LE | M    | N    | P    | S     | T   | D   | DB     | E  | ED | F  | G  |
| φ270              | 193 | 159.5 | M25x1.5 | 525 | 184.5 | 80 | φ165 | φ130 | φ200 | 4-M10 | 3.5 | φ38 | M12x28 | 80 | 70 | 10 | 33 |

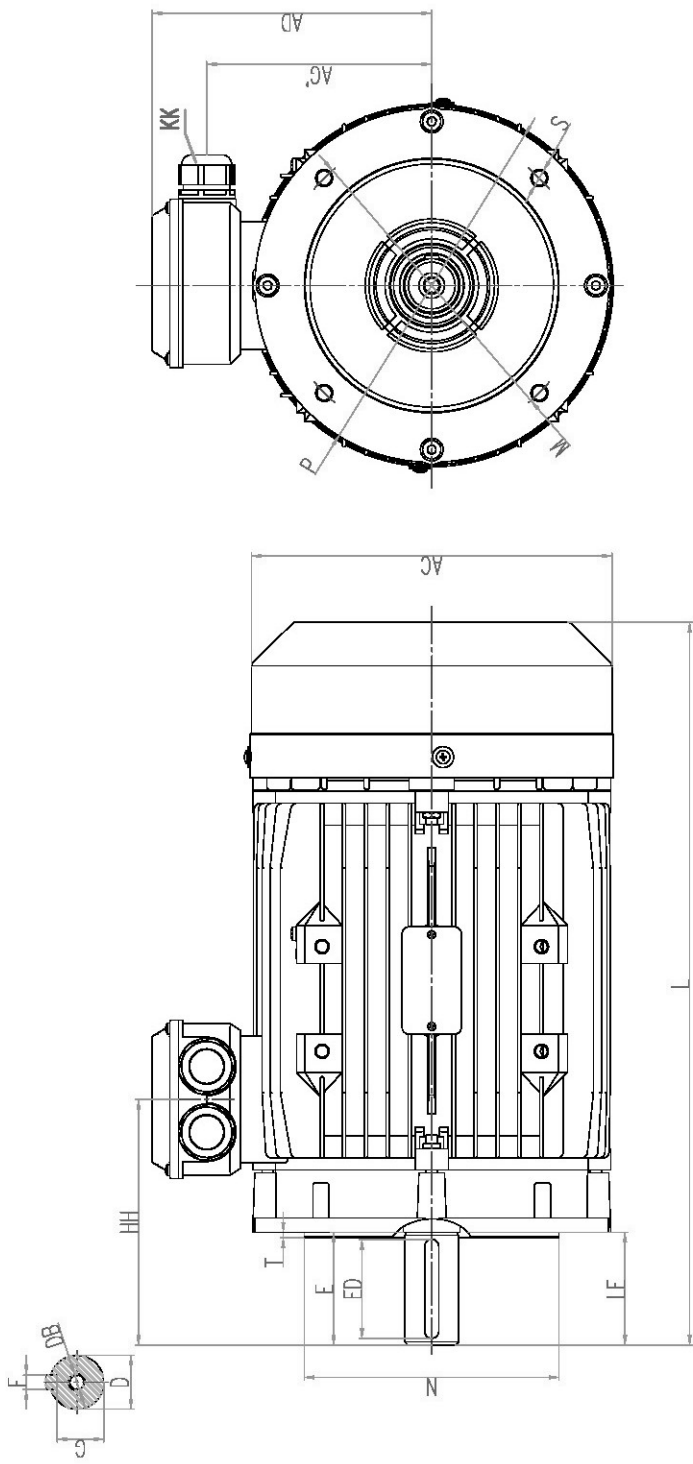
|             |             |  |
|-------------|-------------|--|
| DATE        | CHECKED BY  |  |
| DESIGNED BY | APPROVED BY |  |
| ISSUE       | DATE        |  |
| ISSUE       | DATE        |  |
| ISSUE       | DATE        |  |
| ISSUE       | DATE        |  |

132L+extended  
NDE endshild B14A  
DIMENSION OUTLINE

**ELECTRAMO®**

CUSTOMER APPROVAL \_\_\_\_\_ SIGNATURE \_\_\_\_\_ DATE \_\_\_\_\_

| FRAME      | KW |
|------------|----|
| MS132L3-4  | 11 |
| EMS132L2-4 | 11 |



|         |       |       |
|---------|-------|-------|
| CLIENT: | FRAME | VOLTS |
|         | 132L+ |       |
|         | KW    | RPm   |

OUTLINE DIMENSIONS FLANGE MOUNTED MOTORS

SHAFT EXT.DE ONLY

| AC   | AD  | AG'   | KK        | L   | HH    | LE | M    | N    | P    | S     | T | D   | DB     | E  | ED | F  | G  |  |  |
|------|-----|-------|-----------|-----|-------|----|------|------|------|-------|---|-----|--------|----|----|----|----|--|--|
| φ270 | 193 | 159.5 | 2-M25x1.5 | 525 | 184.5 | 80 |      |      |      |       |   |     |        |    |    |    |    |  |  |
|      |     |       |           |     |       |    | φ215 | φ180 | φ250 | 4-M12 | 4 | φ38 | M12x28 | 80 | 70 | 10 | 33 |  |  |

|                   |  |  |             |             |
|-------------------|--|--|-------------|-------------|
| 132L+extended     |  |  | DATE        | CHECKED BY  |
| NDE enshild B14B  |  |  | DESIGNED BY | APPROVED BY |
| DIMENSION OUTLINE |  |  | ISSUE       | DATE        |
|                   |  |  | ISSUE       | DATE        |
|                   |  |  | ISSUE       | DATE        |
|                   |  |  | ISSUE       | DATE        |

CUSTOMER APPROVAL \_\_\_\_\_ DATE \_\_\_\_\_  
 SIGNATURE \_\_\_\_\_

