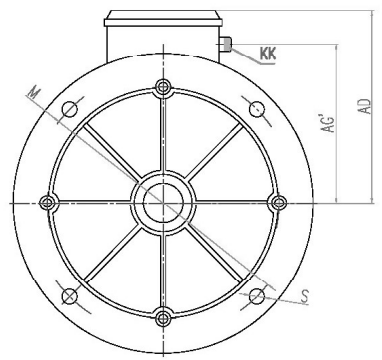
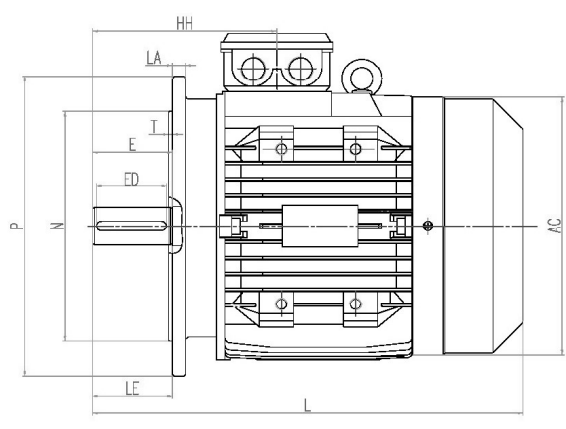
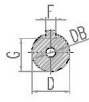


FRAME	KW
MS132S1-2	5.5
MS132S2-2	7.5
MS132S-4	5.5
MS132S-6	3
MS132S-8	2.2
EMS132S1-2	5.5
EMS132S2-2	7.5
EMS132S-4	5.5
EMS132S-6	3



CLIENT:	FRAME	KW	RPM
	VOLTS		

OUTLINE DIMENSIONS FLANGE MOUNTED MOTORS

SHAFT EXT.DE ONLY

AC	AD	AG	KK	L	LA	HH	LE	M	N	P	S	T					D	DB	E	ED	F	G								
φ270	193	159.5	2-M25x1.5	431	13	184.5	80	φ265	φ230	φ300	4-φ15	4					φ38	M12x28	80	70	10	33								

CUSTOMER APPROVAL _____
 SIGNATURE _____ DATE _____

132S B5
 DIMENSION OUTLINE

DATE		CHECKED BY	
DESIGNED BY		APPROVED BY	
ISSUE	DATE	CERTIFIED BY	
ISSUE	DATE	CERTIFIED BY	
ISSUE	DATE	CERTIFIED BY	
ISSUE	DATE	CERTIFIED BY	