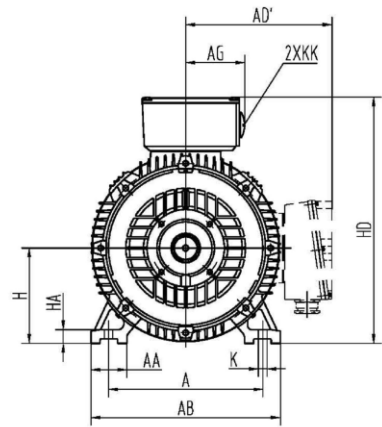
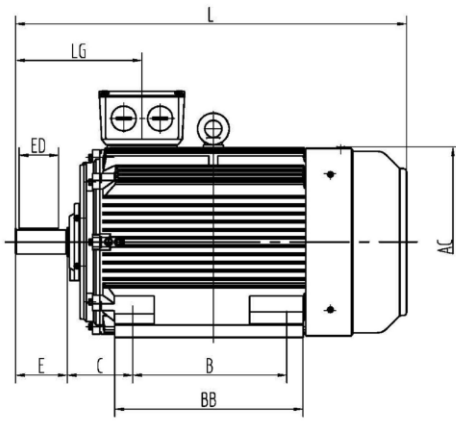
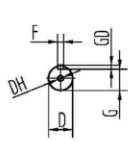


CLIENT:		
FRAME	KW	RPM
VOLTS		



OUTLINE DIMENSIONS FOOT MOUNTED MOTORS														SHAFT EXT.DE ONLY						WEIGHT		
A	AA	AB	AC	AD'	AG	B	BB	C	H	HA	HD	K	KK	L	LG	D	DH	E	ED	F	G	GD
508	120	635	650	495	195	406	515	216	315	45	820	28	M63X1.5	1190	417	80	M20X4.2	170	140	22	71	14

CUSTOMER APPROVAL _____
SIGNATURE _____ DATE _____

YX3-315S 4-6P (B3)		DATE	2005.12.5	CHK	
DIMENSION OUTLINE		DRAWN		APPD	
ISSUE A	DATE			CERTIFIED BY	
ISSUE B	DATE			CERTIFIED BY	
ISSUE C	DATE			CERTIFIED BY	
ISSUE D	DATE			CERTIFIED BY	

