

CLIENT:	FRAME	KW	RPM
	VOLTS		

OUTLINE DIMENSIONS FOOT MOUNTED MOTORS

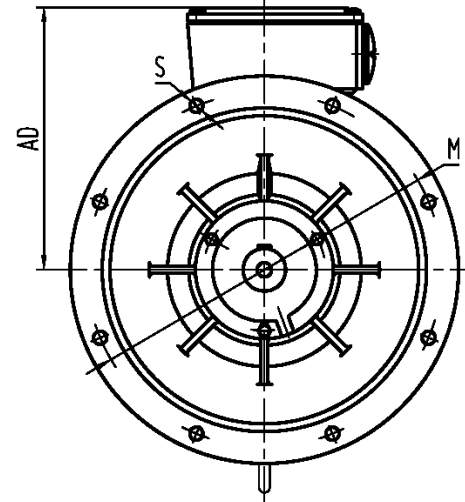
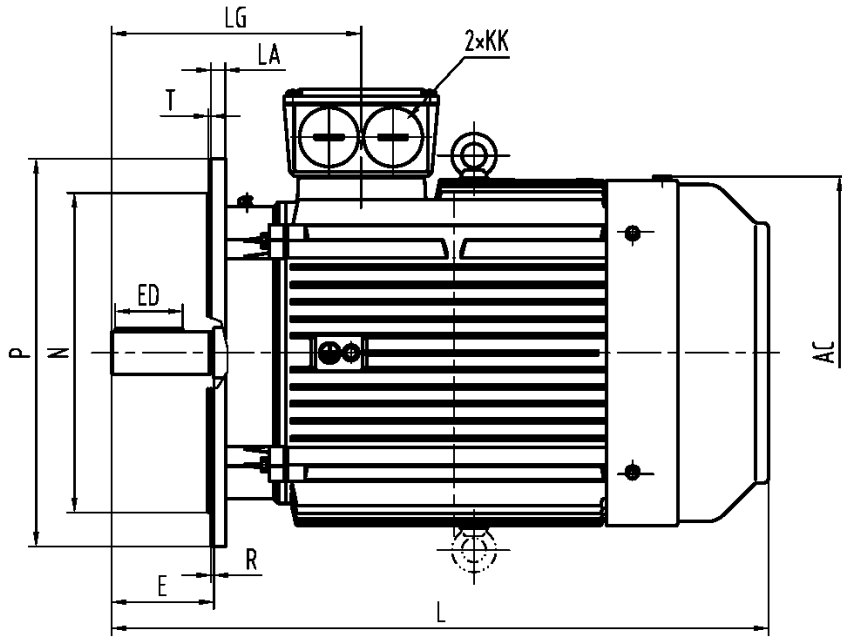
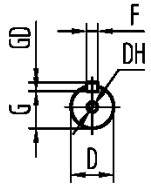
SHAFT EXT.DE ONLY

WEIGHT(kg)

A	AA	AB	AC			B	BB	C	H		HA	HD	K	KK	L	LG		D	DH	E	ED	F	G	GD	
406	88	495	520			349	440	168	250		33	620	24	M63X1.5	925	353		65	M20x42	140	110	18	58	11	

CUSTOMER APPROVAL \_\_\_\_\_  
SIGNATURE DATE

YX3-250-4-8(B3) DIMENSION OUTLINE	DATE	2005.12.5	CHK	
	DRAWN		APPD	
	ISSUE A	DATE	CERTIFIED BY	
	ISSUE B	DATE	CERTIFIED BY	
ELECTRAMO®	ISSUE C	DATE	CERTIFIED BY	
	ISSUE D	DATE	CERTIFIED BY	

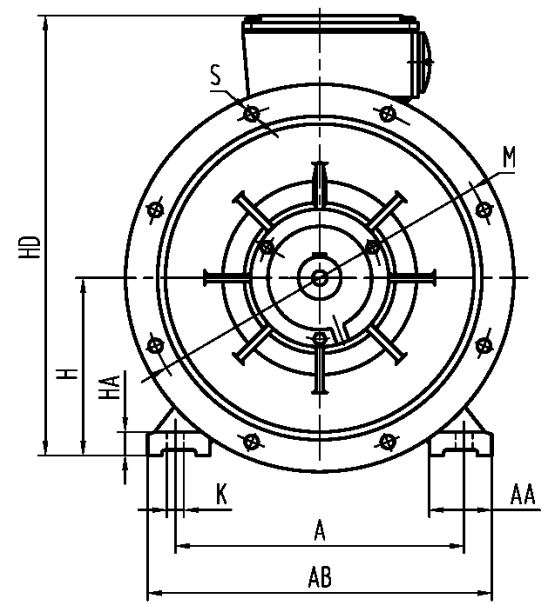
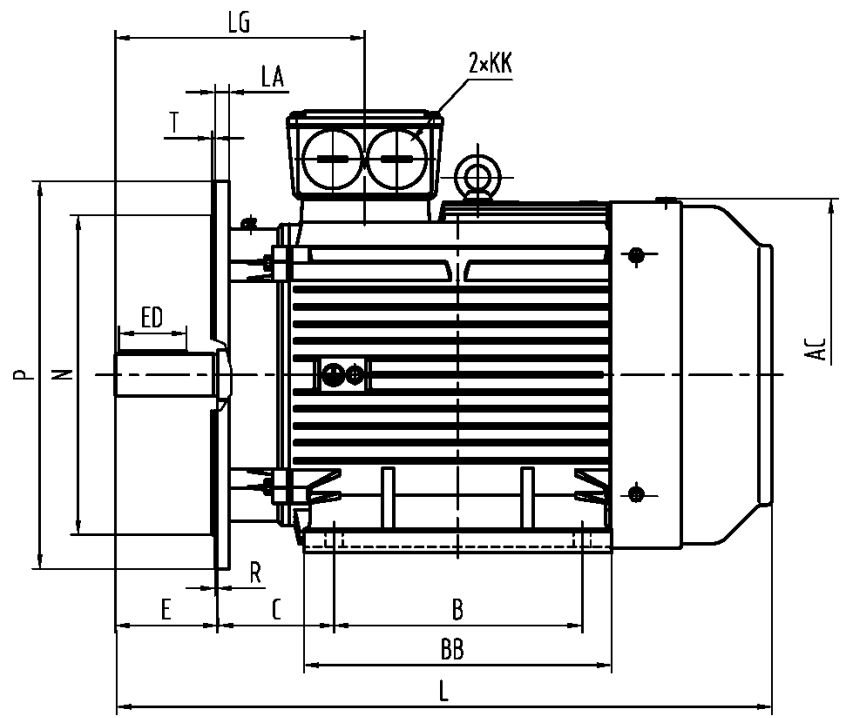
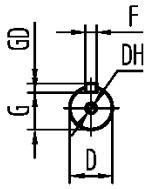


CLIENT:	FRAME	KW	RPM
	VOLTS		

OUTLINE DIMENSIONS FLANGE MOUNTED MOTORS														SHAFT EXT.DE ONLY						WEIGHT(kg)					
AC	AD				KK	L	LG			LA	R	M	N	P	S	T		D	DH	E	ED	F	G	GD	
520	375				M63x1.5	925	353			20	0	500	450	550	18.5	5		65	M20x4.2	140	110	18	58	11	

CUSTOMER APPROVAL \_\_\_\_\_  
 SIGNATURE DATE

YX3-250-4-8(B5) DIMENSION OUTLINE	DATE	2005.12.5	CHK	
	DRAWN		APPD	
	ISSUE A	DATE	CERTIFIED BY	
	ISSUE B	DATE	CERTIFIED BY	
	ISSUE C	DATE	CERTIFIED BY	
	ISSUE D	DATE	CERTIFIED BY	



CLIENT:	FRAME	KW
	VOLTS	RPM

OUTLINE DIMENSIONS FOOT-FLANGE MOUNTED MOTORS

SHAFT EXT.DE ONLY

WEIGHT(kg)

A	AA	AB	AC			B	BB	C	H		HA	HD	K	KK	L	LG		D	DH	E	ED	F	G	GD	
406	88	495	520			349	440	168	250		33	620	24	M63X1.5	925	353		65	M20x42	140	110	18	58	11	

LA	R	M	N	P	S	T
20	0	500	450	550	18.5	5

CUSTOMER APPROVAL \_\_\_\_\_  
SIGNATURE DATE

YX3-250-4-8(B35)  
DIMENSION OUTLINE

**ELECTRAMO®**

DATE	2005.12.5	CHK	
DRAWN		APPD	
ISSUE A	DATE	CERTIFIED BY	
ISSUE B	DATE	CERTIFIED BY	
ISSUE C	DATE	CERTIFIED BY	
ISSUE D	DATE	CERTIFIED BY	