



Manufacturer

**VEM motors GmbH - Werk Wernigerode**  
**Carl-Friedrich-Gauß-Straße 1**

Customer

**akkerstraat 10**

**38855 WERNIGERODE**  
**Deutschland**

**Three-phase motors with squirrel cage rotor,**  
**Housing grey cast iron**

Type		IE3-W43R 160 L6 TPM HW
Design output	( kW )	11
Design torque	( Nm )	108
Class IE	[ - ]	IE3-90,3%
Efficiency determination		EN 60034-2-1
Duty type		S1
Design frequency	( Hz )	50
Design speed	[rpm]	975
Voltage	( V )	400/690
Connection	[ - ]	D/Y
Current	[ A ]	20.5/11.9
Relative pull-in current	[ - ]	5,7
Relative starting torque	[ - ]	2,3
Relative pull-up torque	[ - ]	1,8
Relative pull-out torque	[ - ]	2,7
Efficiency 100/75/50 %	[ % ]	90,3 / 90,5 / 89,4
Power factor	[ - ]	0,86
Th. cl.		155(F/B)
Coolant temperature	( °C )	-20...+40
Altitude above sea level	( m )	1000
Degree of protection IP		IP55
Moment of inertia	( kgm <sup>2</sup> )	0,145
Motor weight	( kg )	136
Bearing, D-side		6310 ZZ C3
Bearing, N-side		6309 ZZ C3
Grease type		ASONIC GHY 72
A-sound pressure level	( dB )	59

**Impulse voltage insulation class IVIC acc. to IEC 60034-18-41**

U <sub>pk/pk</sub> Ph-Ph (phase-phase)	( V )	2380
U <sub>pk/pk</sub> Ph-Earth (phase-earth)	( V )	1680
t <sub>r</sub> pulse rise time	[µs]	> 0,3

**C (strong)/A (small)**

**Options**

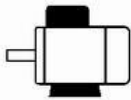
Type of mounting	IM B3
Flange	-
Terminal box	Standard
Position of terminal box	on the top
Cable gland	Sealing plug
Position of cable entry	right
Shaft	Standard, 1 shaft end
Bearing	Easy bearing arrangement
Special details to bearings	Fixed bearing, N-side
Winding protection	1 setptc resistors
Limit values to vibration velocity	Class A
	Balancing with half key
Colour system	01 Moderate (KK C2),RAL 7031 blue-grey
Delivery conditions and/or official regulations:	IEC / EN 60034-1

This document was produced electronically, all specifications are valid only after confirmation of the manufacturer

Three-phase motors with squirrel cage rotor,  
Housing grey cast iron

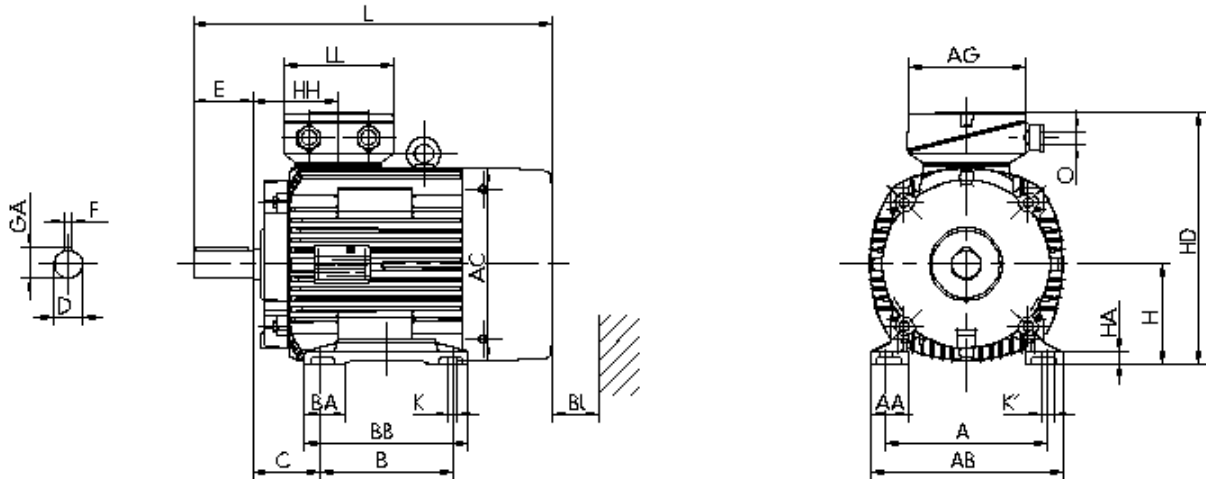
## IE3-W43R 160 L6 TPM HW

### Mounting position



Type of mounting: IM B3  
Flange: -  
Position of terminal box: on the top  
Brake type:  
Forced-ventilation:

Terminal box: KK 63 A  
Cable gland O: 1 x Sealing plug



### Motor

A	AA	AB	AC	AD	B	B'	BA	BA'	BB	C	CA	K	K'
254	55	296	313	-	254		60	-	301	108	-	15	20
Protection cover												Terminal box	
L	LC	H	HA	HD	HH	BI	L	AG	LL	BE	AH		
609	-	160	18	402	138	40	-	193	167	-	-		

### Flange

P	N	LA	M	T	S	Tolerances							
-	-	-	-	-	-	H	N	D	DA				
						-0,5	h6	k6	k6				

### Shaft-DS

D	E	GA	F	DB
42	110	45	12	DIN 332 DS- M16

### Shaft-NS

DA	EA	GC	FA
-	-	-	-

### DB...Centre hole

Delivery conditions and/or official regulations: IEC / EN 60034-1

This document was produced electronically, all specifications are valid only after confirmation of the manufacturer