



Manufacturer

Customer

VEM motors GmbH - Werk Wernigerode
Carl-Friedrich-Gauß-Straße 1

38855 WERNIGERODE
Deutschland

Three-phase motors with squirrel cage rotor,
Housing grey cast iron

| | | | |
|--------------------------|------------------------------|---------------|--------------------|
| Type | IE3-W43R 180 M2 TPM NS LL HW | | |
| Design output | (kW) | 22 | |
| Design torque | (Nm) | 71 | |
| Class IE | [-] | IE3-92,7% | |
| Efficiency determination | | EN 60034-2-1 | |
| Duty type | | S1 | |
| Design frequency | (Hz) | 50 | |
| Design speed | [rpm] | 2945 | |
| Voltage | (V) | 400/690 | |
| Connection | [-] | D | Y |
| Current | [A] | 38.5 | 22.3 |
| Relative pull-in current | [-] | 8,5 | |
| Relative starting torque | [-] | 2,6 | |
| Relative pull-up torque | [-] | 2,1 | |
| Relative pull-out torque | [-] | 3,4 | |
| Efficiency100/75/50 % | [%] | | 92,7 / 93,3 / 92,9 |
| Power factor | [-] | 0,89 | |
| Th. cl. | | 155(F/B) | |
| Coolant temperature | (°C) | -20...+40 | |
| Altitude above sea level | (m) | 1000 | |
| Degree of protection IP | | IP55 | |
| Moment of inertia | (kgm ²) | 0,078 | |
| Motor weight | (kg) | 155 | |
| Bearing, D-side | | 6310 C3 | |
| Bearing, N-side | | 6309 C3 | |
| Relubrication interval | (h) | 2000 | |
| Grease type | | ASONIC GHY 72 | |
| Grease amount | [cm ³] | 23/20 | |
| A-sound pressure level | (dB) | 69 | |

Impulse voltage insulation class IVIC acc. to IEC 60034-18-41 C (strong)/A (small)

| | | |
|---|-------|-------|
| U _{pk/pk Ph-Ph (phase-phase)} | (V) | 2380 |
| U _{pk/pk Ph-Earth (phase-earth)} | (V) | 1680 |
| t _{r pulse rise time} | [µs] | > 0,3 |

Options

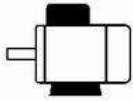
| | |
|--|--|
| Type of mounting | IM B3 |
| Flange | - |
| Terminal box | Standard |
| Position of terminal box | on the top |
| Cable gland | Sealing plug |
| Position of cable entry | right |
| Shaft | Standard, 1 shaftend |
| Bearing | Relubrication device, easybearing arrangement |
| Special details to bearings | Fixed bearing, N-side |
| Winding protection | 1 set ptc resistors |
| Limit values to vibration velocity | Class A |
| Colour system | Balancing with half key |
| Delivery conditions and/or official regulations: | 01 Moderate (KK C2),RAL 7031 blue-grey IEC / EN 60034-1 |

This document was produced electronically, all specifications are valid only after confirmation of the manufacturer

Three-phase motors with squirrel cage rotor,
Housing grey cast iron

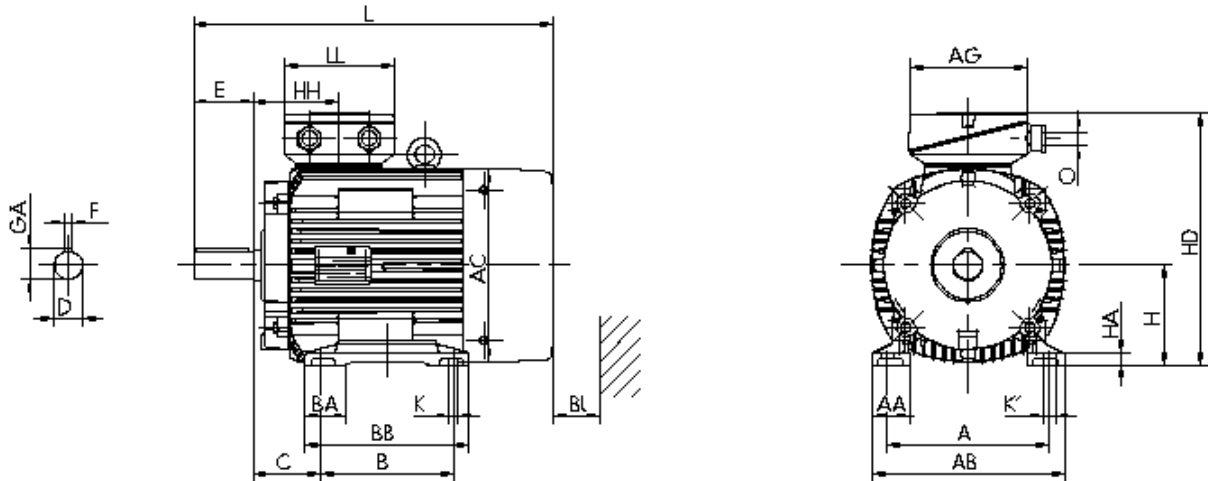
IE3-W43R 180 M2 TPM NS LL HW

Mounting position



Type of mounting: IM B3
Flange: -
Position of terminal box: on the top
Brake type:
Forced-ventilation:

Terminal box: KK 63 A
Cable gland O: 1 x Sealing plug



Motor

| | | | | | | | | | | | | | | | |
|-----|----|-----|-----|-----|-----|----|----|-----|-----|-----|----|-------------------------|----|---------------------|--|
| A | AA | AB | AC | AD | B | B' | BA | BA' | BB | C | CA | K | K' | | |
| 279 | 62 | 328 | 313 | - | 241 | | 65 | - | 288 | 121 | - | 15 | 20 | | |
| | | | | | | | | | | | | Protection cover | | Terminal box | |
| L | LC | H | HA | HD | HH | BI | L | AG | LL | BE | AH | - | - | | |
| 659 | - | 180 | 20 | 422 | 138 | 40 | - | 193 | 167 | - | - | - | - | | |

Flange

| | | | | | | | | | | | | | |
|---|---|----|---|---|---|-------------------|----|----|----|--|--|--|--|
| P | N | LA | M | T | S | Tolerances | | | | | | | |
| - | - | - | - | - | - | H | N | D | DA | | | | |
| | | | | | | -0,5 | h6 | k6 | k6 | | | | |

Shaft-DS

| | | | | |
|----|-----|------|----|-----------------|
| D | E | GA | F | DB |
| 48 | 110 | 51,5 | 14 | DIN 332 DS- M16 |

Shaft-NS

| | | | |
|----|----|----|----|
| DA | EA | GC | FA |
| - | - | - | - |

DB...Centre hole

Delivery conditions and/or official regulations: IEC / EN 60034-1

This document was produced electronically, all specifications are valid only after confirmation of the manufacturer