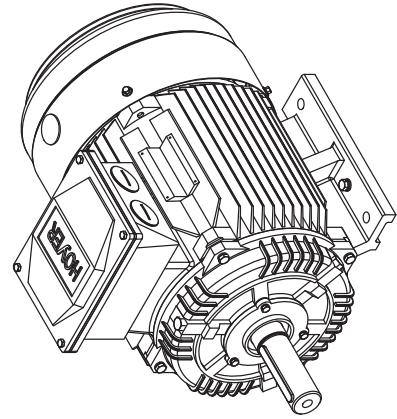


Remark:

1. Eye bolt M12
2. Blind caps are 2xM40x1.5 and 2xM20x1.5



HOYER EXCEEDING EXPECTATIONS		Hoyer Motors Over Hudson St 42, DK-8370 Hadsten Tel: +45 86981771 Fax: +45 86981779 www.hoyermotors.com		DEBUR AND BREAK SHARP EDGES	DO NOT SCALE DRAWING	REVISION	01
DRAWN	JJI	SIGNATURE		DATE	20/08/14	TITLE: HMC3-160M-B3	
CHKD						DWG NO. 90020	
APP'D						SCALE: 1:10	
MFG						SHEET 1 OF 1	
G.A.						MATERIAL: cast iron	
						WEIGHT: kg	
						A3	