



Manufacturer

Customer

VEM motors GmbH - Werk Zwickau
Äußere Dresdner Str. 35

08066 ZWICKAU
Deutschland

Three-phase motors with squirrel cage rotor,
Housing grey cast iron

Type	IE3-W41R 71 GY2		
Design output	(kW)	0,55	
Design torque	(Nm)	1,83	
Class IE	[-]	IE3-77,8%	
Efficiency determination		EN 60034-2-1	
Duty type		S1	
Design frequency	(Hz)	50	
Design speed	[rpm]	2870	
Voltage	(V)	230/400	
Connection	[-]	D	Y
Current	[A]	2.14	1.23
Relative pull-in current	[-]	6,3	
Relative starting torque	[-]	2,9	
Relative pull-up torque	[-]	2,9	
Relative pull-out torque	[-]	3,5	
Efficiency100/75/50 %	[%]		77,8 / 77,5 / 74,4
Power factor	[-]	0,79	
Th. cl.		155(F/B)	
Coolant temperature	(°C)	-20°C...+40°C	
Altitude above sea level	(m)	1000m	
Degree of protection IP		IP55	
Moment of inertia	(kgm ²)	0,00057	
Motor weight	(kg)	10	
Bearing, D-side		6204 2Z C3	
Bearing, N-side		6204 2Z C3	
Relubrication interval	(h)		
Grease type		Asonic GLY 32	
Grease amount	[cm ³]		
A-sound pressure level	(dB)	a.A.	

Options

Type of mounting	IMB34
Flange	FT 85[C 105]
Terminal box	Standard
Position of terminal box	on the top
Cable gland	Sealing plug
Position of cable entry	right
Shaft	Standard, 1 shaft end
Bearing	Easy bearing arrangement
Limit values to vibration velocity	Class A
	Balancing with half key
Colour system	01 Moderate (KK C2),RAL 7031 blue-grey
Delivery conditions and/or official regulations:	IEC / EN 60034-1

This document was produced electronically, all specifications are valid only after confirmation of the manufacturer

Data sheet

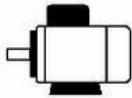
19.08.2021 MADE WITH VEM EKAT 2021



Three-phase motors with squirrel cage rotor,
Housing grey cast iron

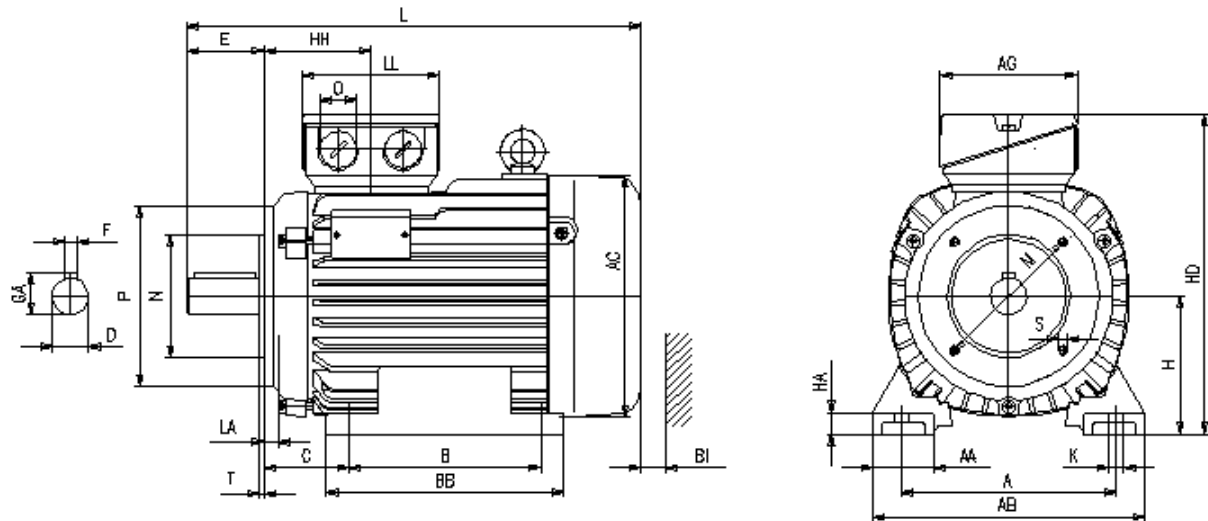
IE3-W41R 71 GY2

Mounting position



Type of mounting: IMB34
Flange: FT 85[C 105]
Position of terminal box: on the top
Brake type:
Forced-ventilation:

Terminal box: KA 05
Cable gland O: 1 xSealing plug



Motor

A	AA	AB	AC	AD	B	B'	BA	BA'	BB	C	CA	K	K'
112	24	135	139	-	90	-	-	-	114	45	-	7	7
L	LC	H	HA	HD	HH	BI	Protection cover		AG	LL	Terminal box		
239	-	71	8	182	67	14	L	-	92	92	BE	AH	

Flange

P	N	LA	M	T	S	Tolerances		H	N	D	DA
105	70	8,5	85	2,5	M6			-0,5	j6	k6	k6

Shaft-DS

D	E	GA	F	DB	Shaft-NS		DA	EA	GC	FA
14	30	16	5	DIN 332 DS - M5	-	-	-	-	-	-

DB...Centre hole

Delivery conditions and/or official regulations: IEC / EN 60034-1

This document was produced electronically, all specifications are valid only after confirmation of the manufacturer