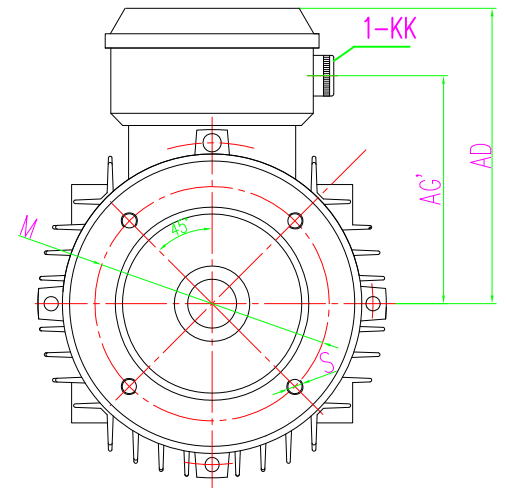
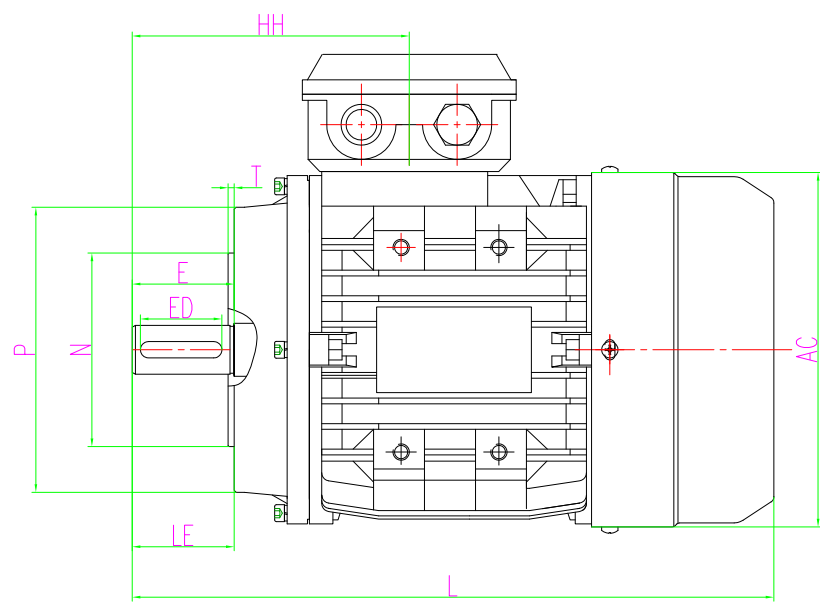
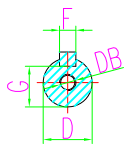


FRAME	KW
MS90L1-2	2.2
MS90L1-4	1.5
MS90L-6	1.1
MS90L-8	0.55
EMS90L-2	2.2
EMS90L-4	1.5
EMS90L-6	1.1



CLIENT:	90L1	KW	RPM
	FRAME	VOLTS	

OUTLINE DIMENSIONS FLANGE MOUNTED MOTORS

SHAFT EXT.DE ONLY

AC	AD	AG'	KK	L	HH	LE	M	N	P	S	T							D	DH	E	ED	F	G								
φ185	145	110	M20x1.5	335	133	50	φ115	φ95	φ140	4-M8	3							φ24	M8x20	50	40	8	20								

CUSTOMER APPROVAL _____
SIGNATURE DATE

90L1 B14A DIMENSION OUTLINE DWG#	DATE		CHECKED BY
	DESIGNED BY		APPROVED BY
	ISSUE	DATE	CERTIFIED BY
	ISSUE	DATE	CERTIFIED BY
	ISSUE	DATE	CERTIFIED BY
	ISSUE	DATE	CERTIFIED BY