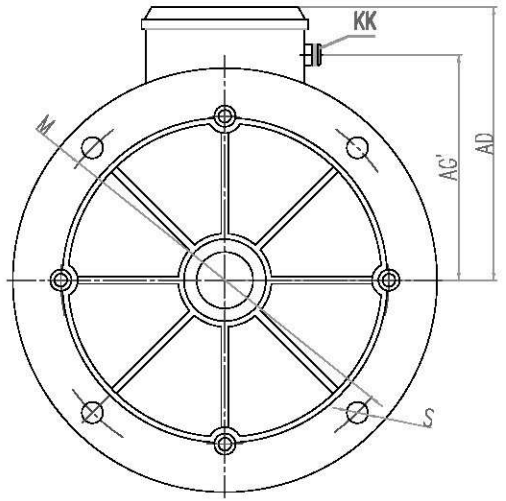
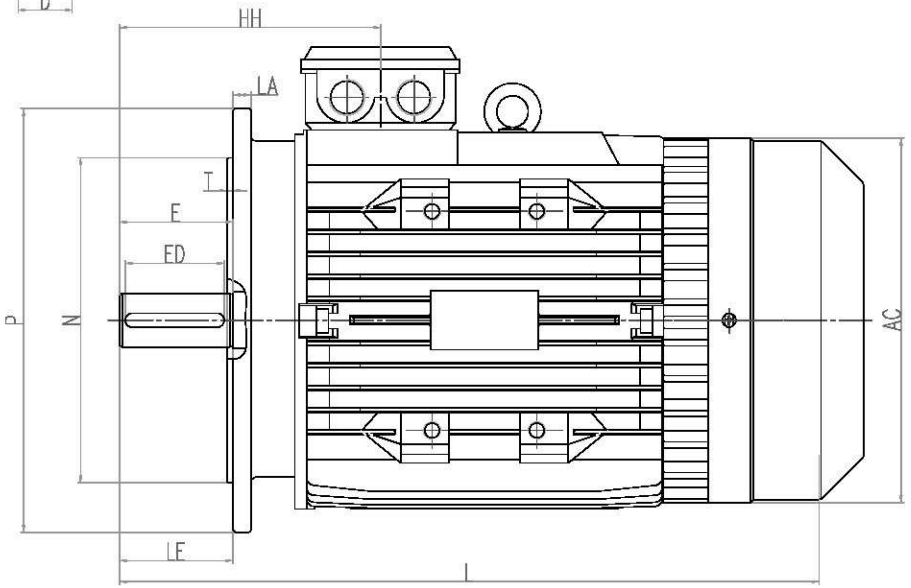
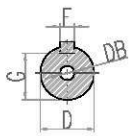


FRAME	KW
MS132L3-4	11
EMS132L2-4	11



CLIENT:	132L+	KW	RPM
	FRAME	VOLTS	

OUTLINE DIMENSIONS FLANGE MOUNTED MOTORS

SHAFT EXT.DE ONLY

AC	AD	AG'	KK	L	LA	HH	LE	M	N	P	S	T				D	DB	E	ED	F	G						
φ270	193	159.5	2-M25x1.5	525	13	184.5	80	φ265	φ230	φ300	4-φ15	4				φ38	M12x28	80	70	10	33						

CUSTOMER APPROVAL _____
 SIGNATURE DATE

132L+extended NDE endshield B5 DIMENSION OUTLINE ELECTRAMO®	DATE		CHECKED BY
	DESIGNED BY		APPROVED BY
	ISSUE	DATE	CERTIFIED BY
	ISSUE	DATE	CERTIFIED BY
	ISSUE	DATE	CERTIFIED BY
	ISSUE	DATE	CERTIFIED BY