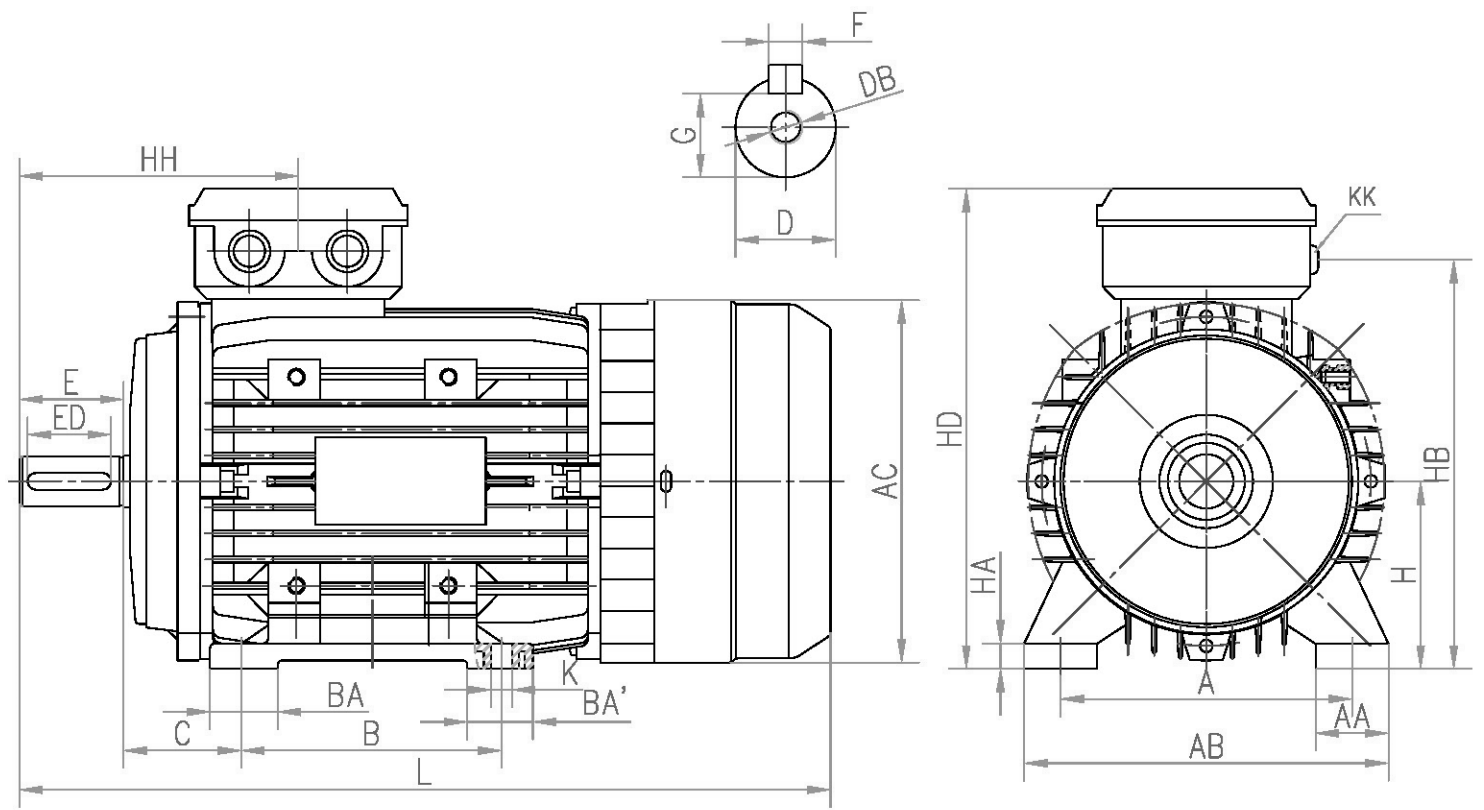


FRAME	KW
EMS90L2-4	2.2



CLIENT:			
FRAME	90L	KW	RPM
VOLTS			

FOOT-OR-FLANGE-MOUNTING

SHAFT EXT.DE ONLY

WEIGHT(kg)

A	AA	AB	AC	B	BA	BA"	BB	C	H	HA	HB	HD	HH	K	KK	L				D	DB	E	ED	F	G							
140	35	175	∅185	125	31	31	155	56	90	12	200	235	133	10x13	1-M20X1.5	400				∅24	M8X20	50	40	8	20							

CUSTOMER APPROVAL

SIGNATURE

DATE

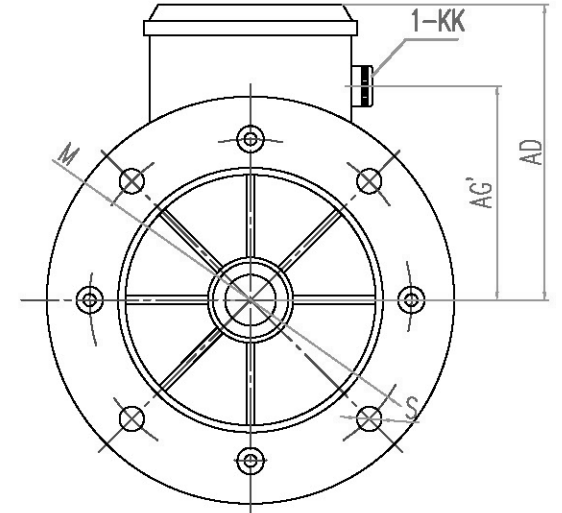
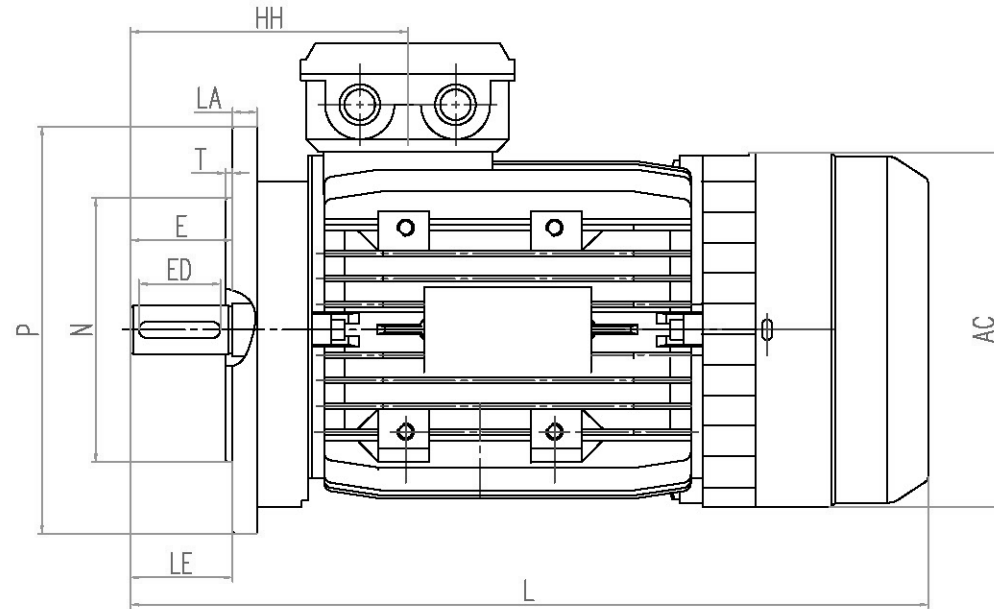
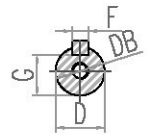
EMS90L2-4 B3

DIMENSION OUTLINE



DATE		CHECKED BY
DESIGNED BY		APPROVED BY
ISSUE	DATE	CERTIFIED BY
ISSUE	DATE	CERTIFIED BY
ISSUE	DATE	CERTIFIED BY
ISSUE	DATE	CERTIFIED BY

FRAME	KW
EMS90L2-4	2.2



CLIENT:		
	KW	RPM
	90L2+	
FRAME	VOLTS	

OUTLINE DIMENSIONS FLANGE MOUNTED MOTORS

SHAFT EXT.DE ONLY

AC	AD	AG'	KK	L	LA	HH	LE	M	N	P	S	T				D	DB	E	ED	F	G							
φ185	145	110	1-M20X1.5	400	12	133	50	φ165	φ130	φ200	4-φ12	3.5				φ24	M8×20	50	40	8	20							

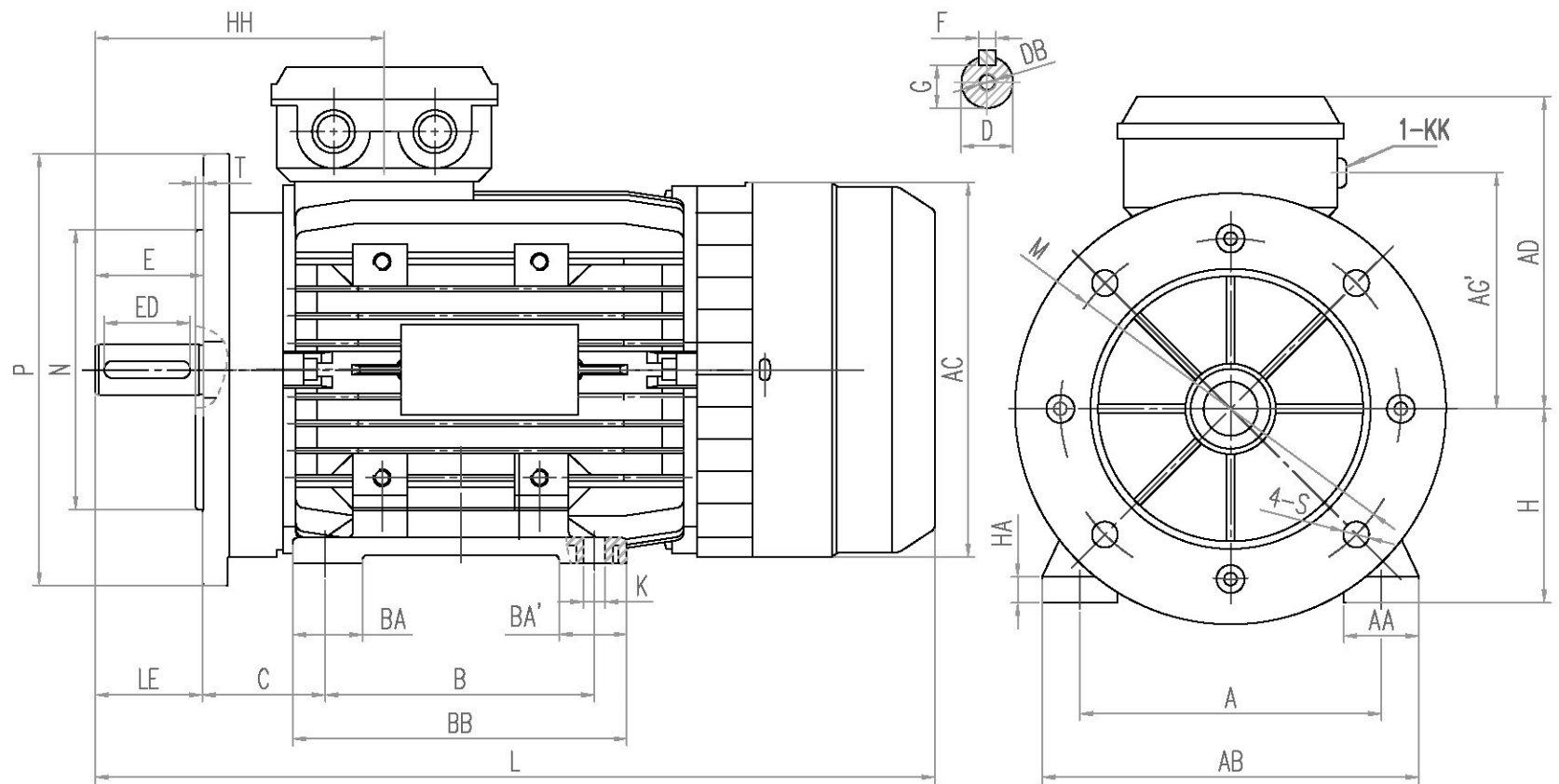
CUSTOMER APPROVAL _____
SIGNATURE DATE

EMS90L2-4 V1/B5
DIMENSION OUTLINE



DATE		CHECKED BY
DESIGNED BY		APPROVED BY
ISSUE	DATE	CERTIFIED BY
ISSUE	DATE	CERTIFIED BY
ISSUE	DATE	CERTIFIED BY
ISSUE	DATE	CERTIFIED BY

CLIENT:	FRAME	KW
	EMS90L2-4	2.2
90L2+	KW	RPM
FRAME		
VOLTS		



OUTLINE DIMENSIONS FLANG MOUNTED MOTORS

SHAFT EXT.DE ONLY

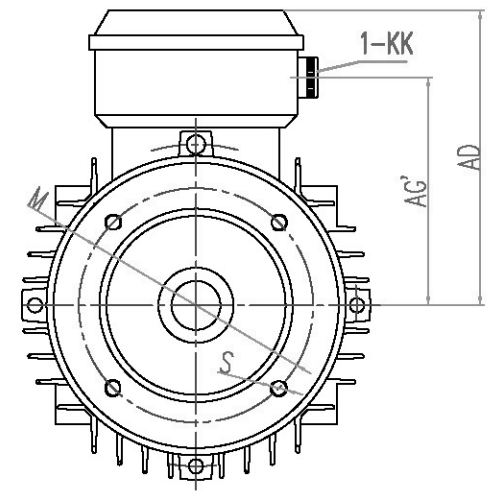
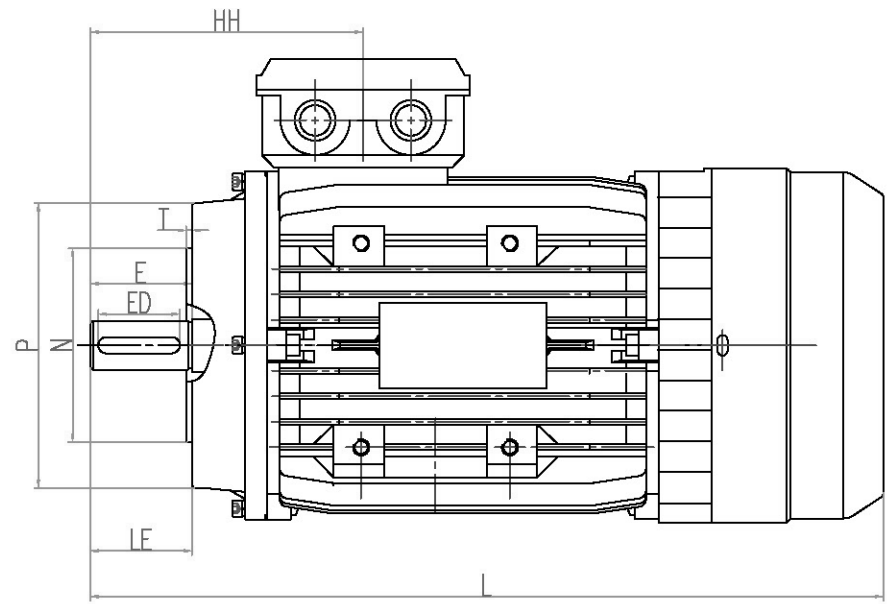
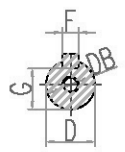
A	AA	AB	AC'	AC	AD	B	BB	BA	BA'	LE	HH	C	H	HA	K	KK	L	M	N	P	S	T	D	DB	E	ED	F	G
140	35	175	110	φ185	145	125	155	31	31	50	133	56	90	12	10X13	M20X1.5	400	φ165	φ130	φ200	φ12	3.5	φ24	M8×20	50	40	8	20

CUSTOMER APPROVAL

SIGNATURE DATE

EMS90L2-4 B35	DATE		CHECKED BY	
	DESIGNED BY		APPROVED BY	
DIMENSION OUTLINE	ISSUE	DATE	CERTIFIED BY	
	ISSUE	DATE	CERTIFIED BY	
	ISSUE	DATE	CERTIFIED BY	
	ISSUE	DATE	CERTIFIED BY	

FRAME	KW
EMS90L2-4	2.2



CLIENT:			
FRAME	90L2+	KW	RPM
VOLTS			

OUTLINE DIMENSIONS FLANGE MOUNTED MOTORS

SHAFT EXT.DE ONLY

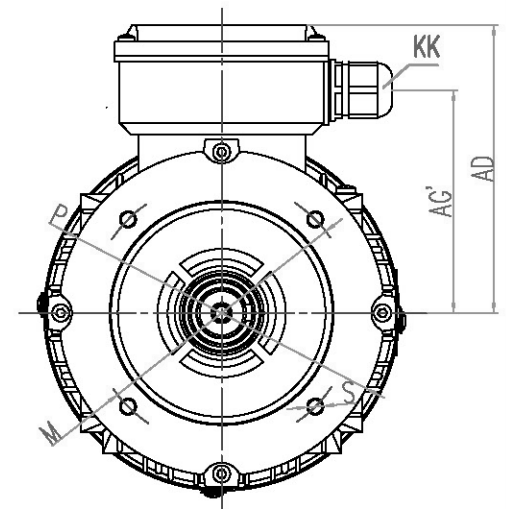
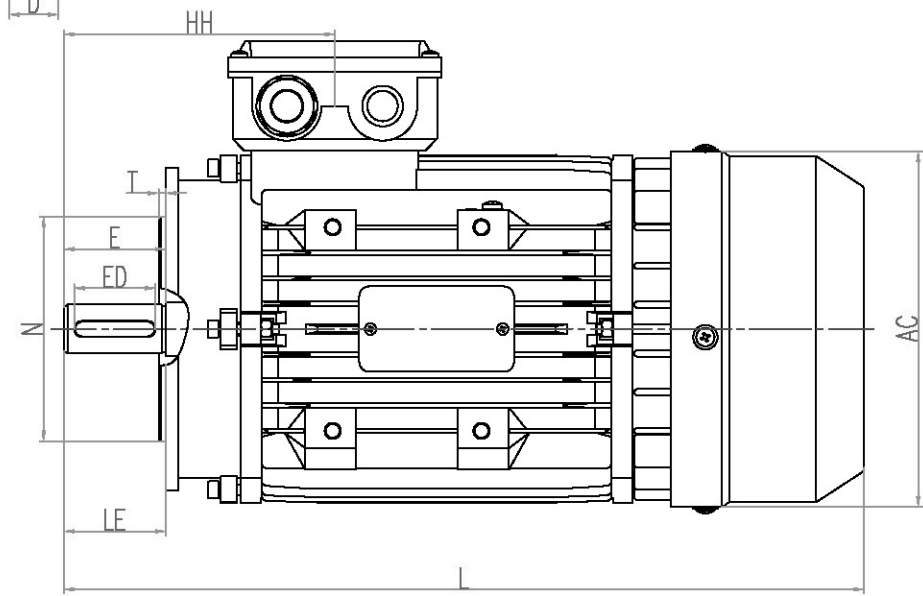
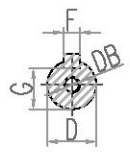
AC	AD	AC'	KK	L	HH	LE	M	N	P	S	T							D	DH	E	ED	F	G														
φ185	145	110	M20X1.5	400	133	50	φ115	φ95	φ140	4-M8	3							φ24	M8x20	50	40	8	20														

CUSTOMER APPROVAL _____
SIGNATURE _____ DATE _____

EMS90L2-4 B14A	DATE	CHECKED BY
DIMENSION OUTLINE	DESIGNED BY	APPROVED BY
	ISSUE	DATE
	ISSUE	DATE
	ISSUE	DATE
	ISSUE	DATE



FRAME	KW
MS90L2-4	2.2
MS90L2-2	3



CLIENT:	90L2+	KW	RPM
	FRAME	VOLTS	

OUTLINE DIMENSIONS FLANGE MOUNTED MOTORS

SHAFT EXT.DE ONLY

AC	AD	AG'	KK	L	HH	LE				M	N	P	S	T				D	DB	E	ED	F	G									
φ185	145	110	1-M20x1.5	400	133	50				φ130	φ110	φ160	4-M8	3.5				φ24	M8x20	50	40	8	20									

CUSTOMER APPROVAL _____
 SIGNATURE DATE

EMS90L2-4B 14B DIMENSION OUTLINE		DATE	CHECKED BY
		DESIGNED BY	APPROVED BY
ISSUE	DATE	CERTIFIED BY	
ISSUE	DATE	CERTIFIED BY	
ISSUE	DATE	CERTIFIED BY	
ISSUE	DATE	CERTIFIED BY	

