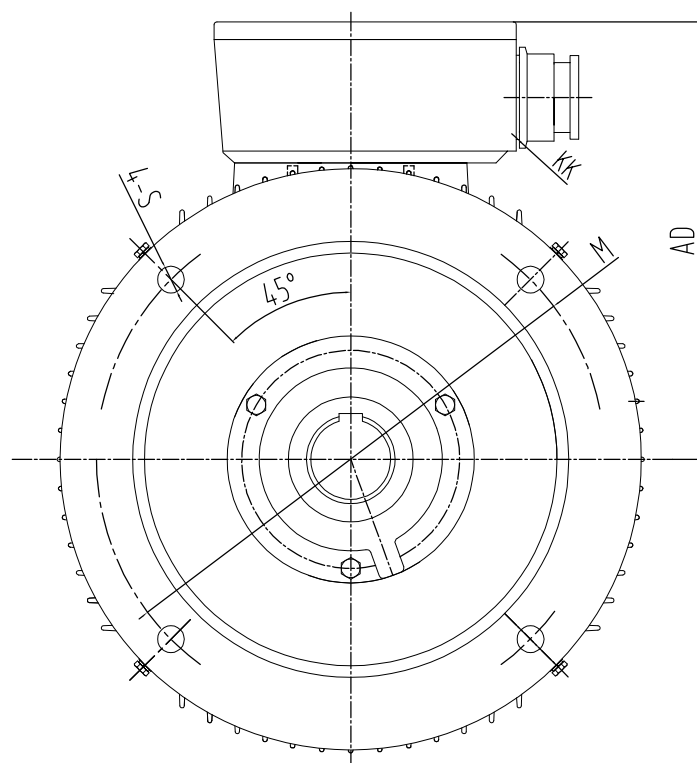
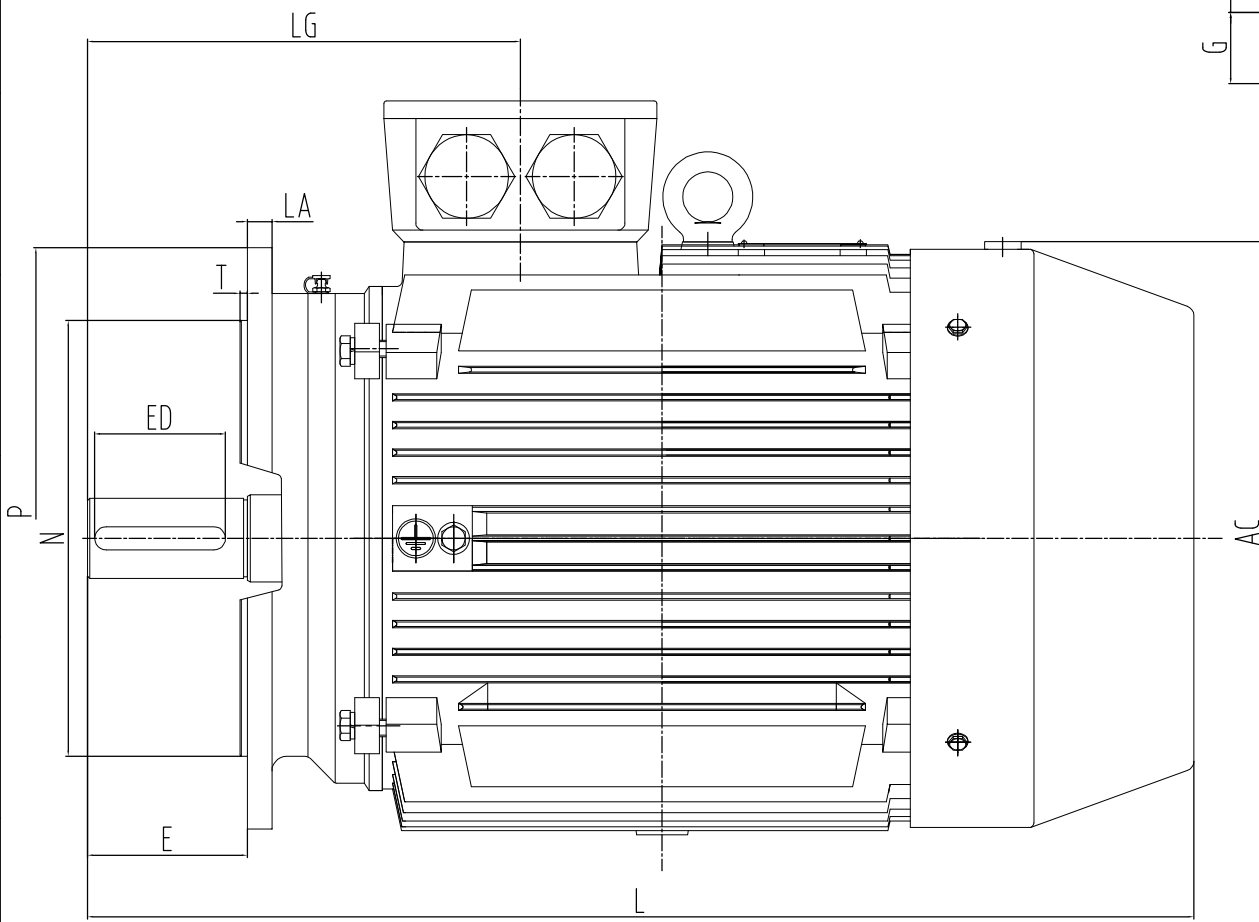
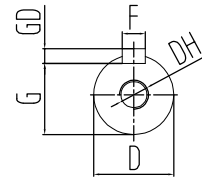


OUTLINE DIMENSIONS FOOT MOUNTED MOTORS																				
A	AA	AB	AC	HD	B	BB	C	D	E	ED	F	G	GD	H	HA	K	KK	L	LG	DH
318	80	390	420	510	305	355	133	55	110	90	16	49	10	200	25	18.5	M50X1.5	790	298	M20X42

CUSTOMER APPROVAL _____
 SIGNATURE _____ DATE _____

YE3-200(B3) DIMENSION OUTLINE	DATE	CHK
	DRAWN	
	ISSUE A DATE	CERTIFIED BY
	ISSUE B DATE	CERTIFIED BY
ISSUE C DATE	CERTIFIED BY	
ISSUE D DATE	CERTIFIED BY	



OUTLINE DIMENSION																	
AC	AD	D	E	ED	F	G	GD	KK	L	LG	LA	M	N	P	S	T	DH
420	310	55	110	90	16	49	10	M50X15	790	298	17	350	300	400	18.5	5	M20X4.2

CUSTOMER _____
 SIGNATURE _____ DATE _____

YE3-200L DIMENSION OUTLINE	DATE	CHK
	DRAWN	APPD
	ISSUE A DATE	CERTIFIED BY
	ISSUE B DATE	CERTIFIED BY
	ISSUE C DATE	CERTIFIED BY
	ISSUE D DATE	CERTIFIED BY

1 2 3 4 5 6 7 8 9 10 11 12 13 14 15 16

A

B

C

D

E

F

G

A

B

C

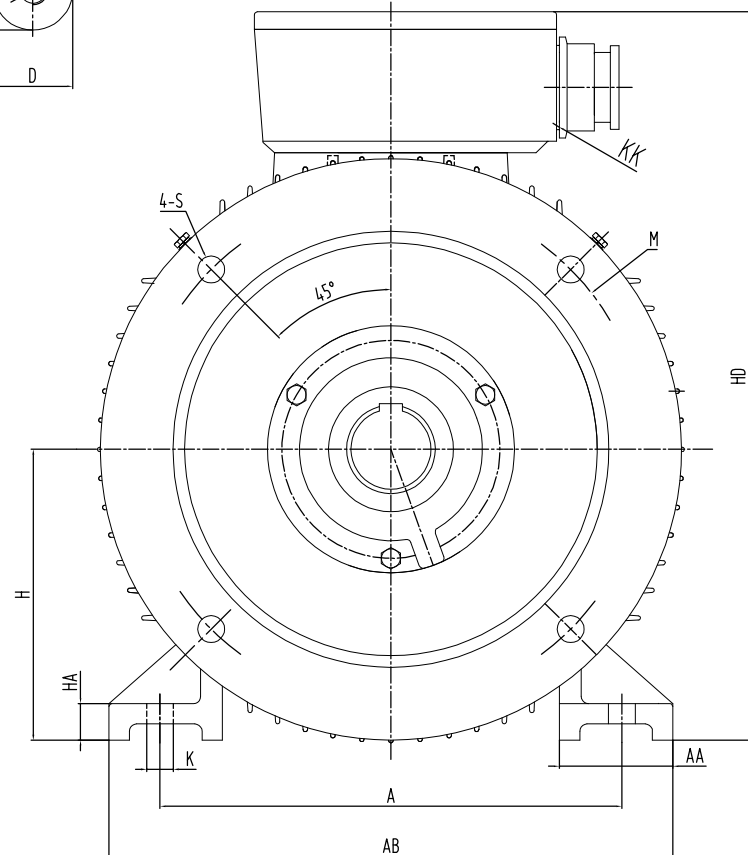
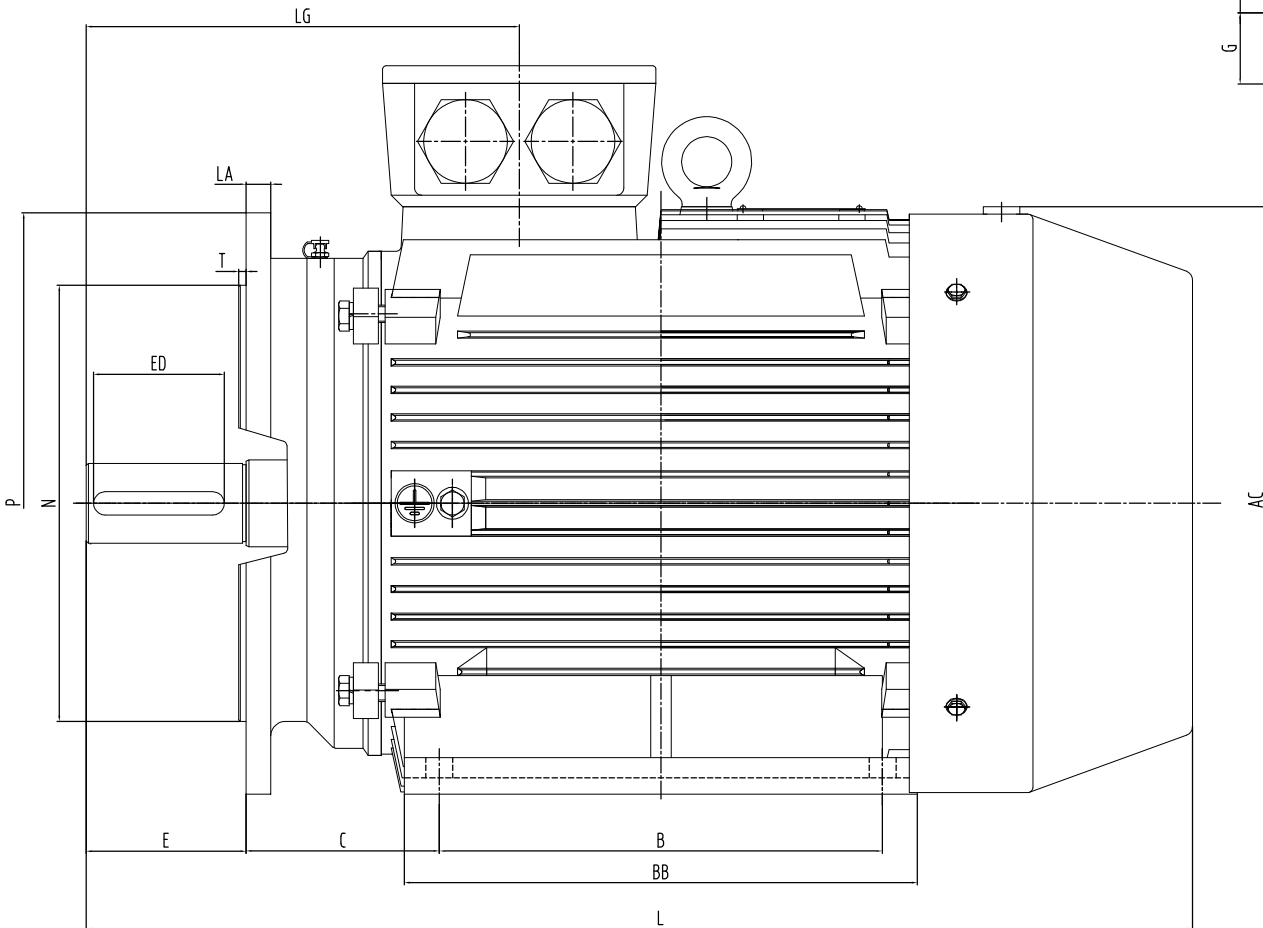
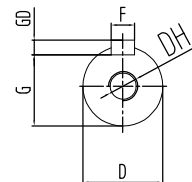
D

E

F

G

H



OUTLINE DIMENSION

A	AA	AB	AC	HD	B	BB	C	D	E	ED	F	G	GD	H	HA	K	KK	L	LG	LA	M	N	P	S	T	DH
318	80	390	420	510	305	355	133	55	110	90	16	49	10	200	25	18.5	M50X15	790	298	17	350	300	400	18.5	5	M20X42

修改
校对
审核
工艺
标准
设计
校对
审核
工艺
标准
标准

CUSTOMER _____
SIGNATURE _____
DATE _____

YE3-200L(B35) DIMENSION OUTLINE SUNVIM Motor	DATE	CHK
	DRAWN	APPD
	ISSUE A DATE	CERTIFIED BY
	ISSUE B DATE	CERTIFIED BY
	ISSUE C DATE	CERTIFIED BY
	ISSUE D DATE	CERTIFIED BY

1 2 3 4 5 6 7 8 9 10 11 12 13 14 15 16