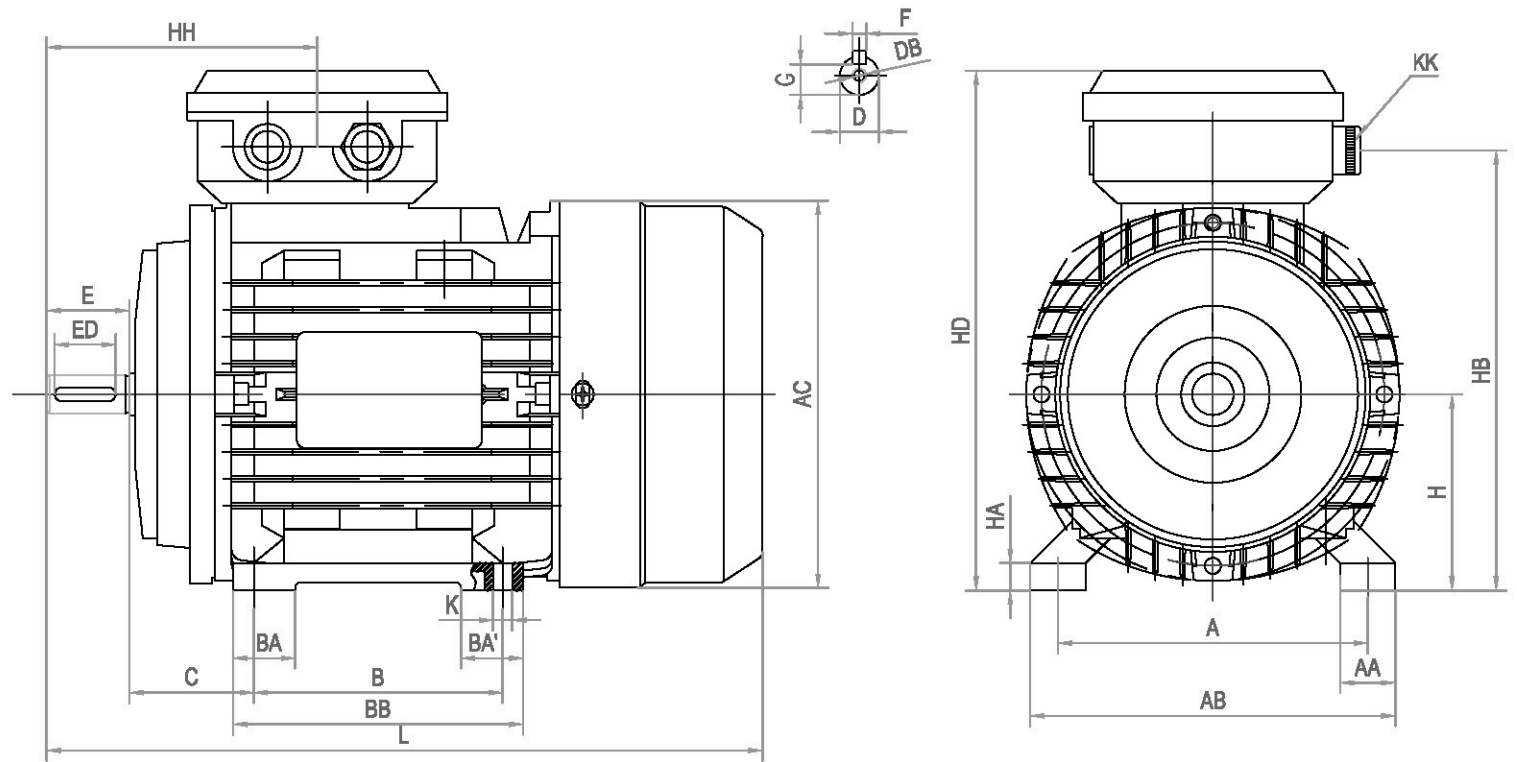


CLIENT:	FRAME	VOLTS	71	KW	RPM	FRAME	KW
						MS71 1-2	0.37
						MS71 2-2	0.55
						MS71 3-2	0.75
						MS71 1-4	0.25
						MS71 2-4	0.37
						MS71 3-4	0.55
						MS71 1-6	0.18
						MS71 2-6	0.25
						MS71 3-6	0.37
						EMS71 3-2	0.75



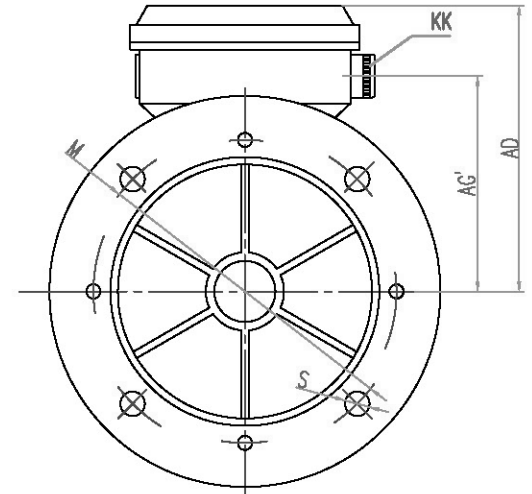
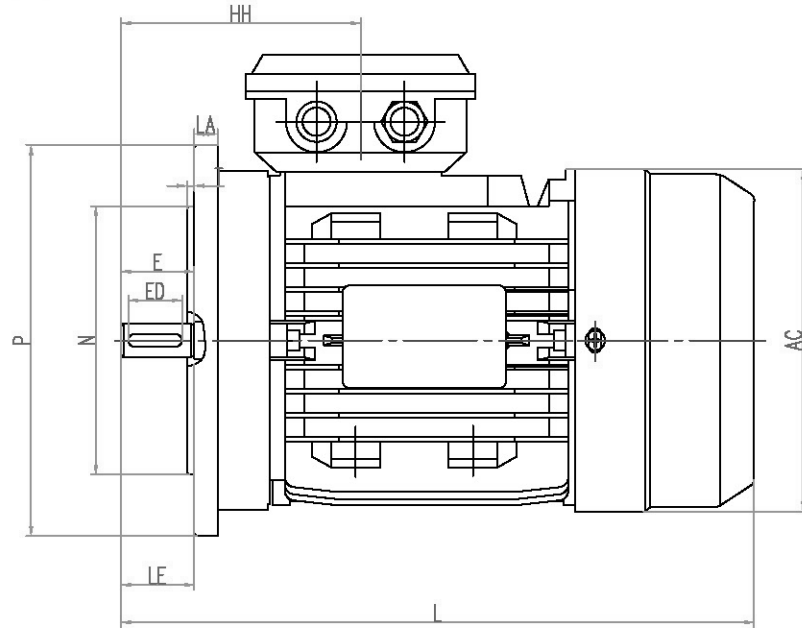
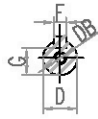
FOOT-OR-FLANGE-MOUNTING															SHAFT EXT.DE ONLY						WEIGHT(kg)							
A	AA	AB	AC	B	BA	BA'	BB	C	H	HA	HB	HD	HH	K	KK	L	D	DB	E	ED	F	G						
112	28	132	Ø145	90	20.5	20.5	105	45	71	10	159.5	188	98	7X10	1-M20X1.5	260	Ø14	M5X12	30	22	5	11						

CUSTOMER APPROVAL _____
 SIGNATURE _____ DATE _____

71 B3		DATE	CHECKED BY
DIMENSION OUTLINE		DESIGNED BY	APPROVED BY
ISSUE	DATE	ISSUE	CERTIFIED BY
ISSUE	DATE	ISSUE	CERTIFIED BY
ISSUE	DATE	ISSUE	CERTIFIED BY
ISSUE	DATE	ISSUE	CERTIFIED BY



FRAME	KW
MS71 1-2	0.37
MS71 2-2	0.55
MS71 3-2	0.75
MS71 1-4	0.25
MS71 2-4	0.37
MS71 3-4	0.55
MS71 1-6	0.18
MS71 2-6	0.25
MS71 3-6	0.37
EMS71 3-2	0.75



CLIENT:	KW	RPM
	71	
	FRAME	VOLTS

OUTLINE DIMENSIONS FLANGE MOUNTED MOTORS

SHAFT EXT.DE ONLY

AC	AD	AG'	KK	L	LA	HH	LE	M	N	P	S	T					D	DB	E	ED	F	G										
φ145	117	88.5	1-M20x1.5	260	9.5	98	30	φ130	φ110	φ160	4-φ10	3.5					φ14	M5x12	30	22	5	11										

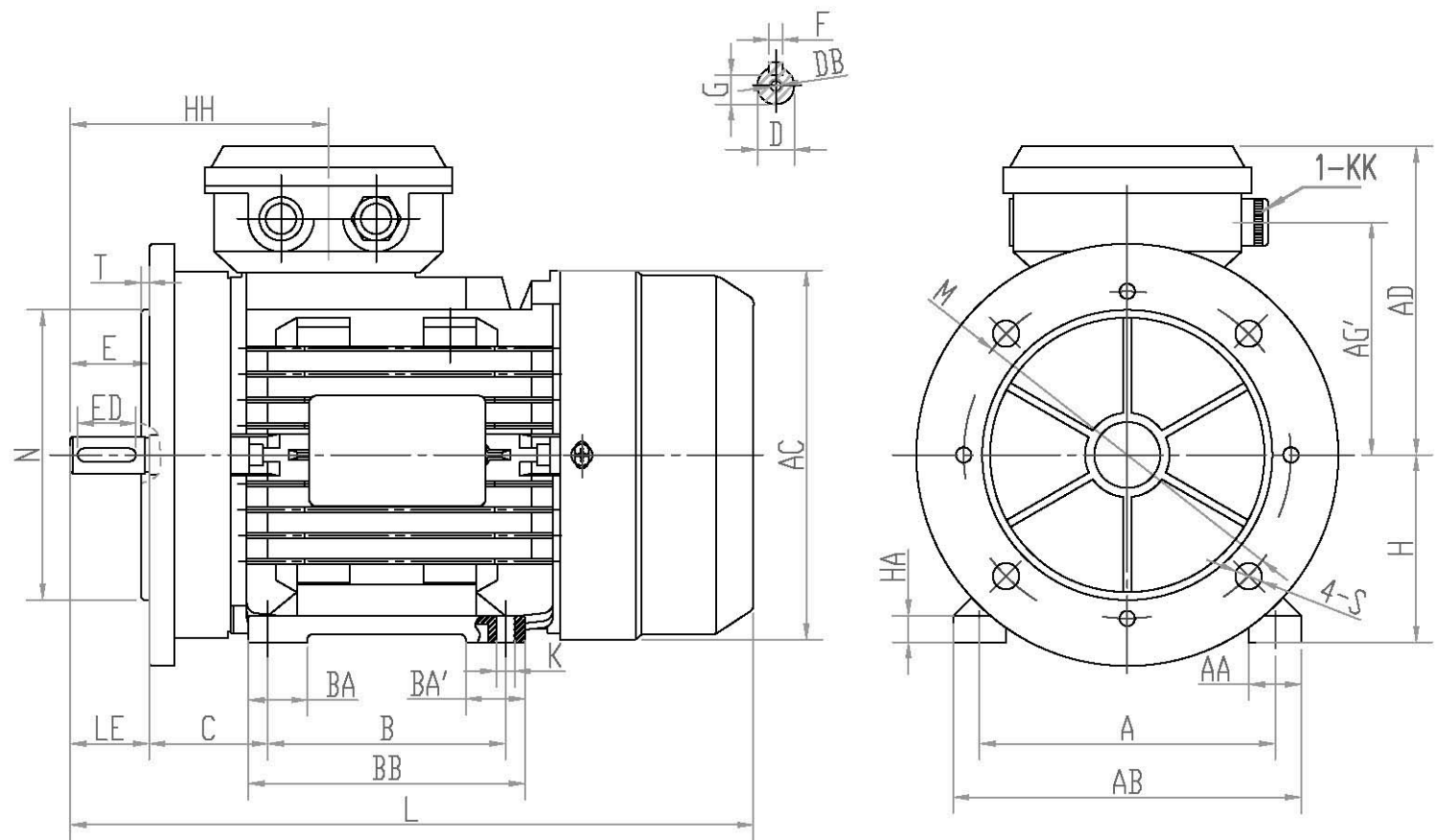
CUSTOMER APPROVAL _____
SIGNATURE DATE

71 V1/B5
DIMENSION OUTLINE



DATE		CHECKED BY
DESIGNED BY		APPROVED BY
ISSUE	DATE	CERTIFIED BY
ISSUE	DATE	CERTIFIED BY
ISSUE	DATE	CERTIFIED BY
ISSUE	DATE	CERTIFIED BY

FRAME	KW
MS71 1-2	0.37
MS71 2-2	0.55
MS71 3-2	0.75
MS71 1-4	0.25
MS71 2-4	0.37
MS71 3-4	0.55
MS71 1-6	0.18
MS71 2-6	0.25
MS71 3-6	0.37
EMS71 3-2	0.75



CLIENT:	KW	RPM
	71	
FRAME	VOLTS	

OUTLINE DIMENSIONS FLANG MOUNTED MOTORS

SHAFT EXT.DE ONLY

A	AA	AB	AC'	AC	AD	B	BB	BA	BA'	LE	HH	C	H	HA	K	KK	L	M	N	P	S	T	D	DB	E	ED	F	G			
112	28	132	88.5	φ145	117	90	105	20.5	20.5	30	98	45	71	10	7X10	M20X1.5	260	φ130	φ110	φ160	φ10	3.5	φ14	M5×12	30	22	5	11			

CUSTOMER APPROVAL

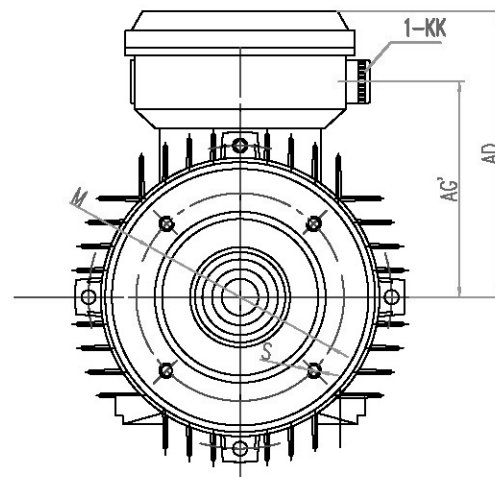
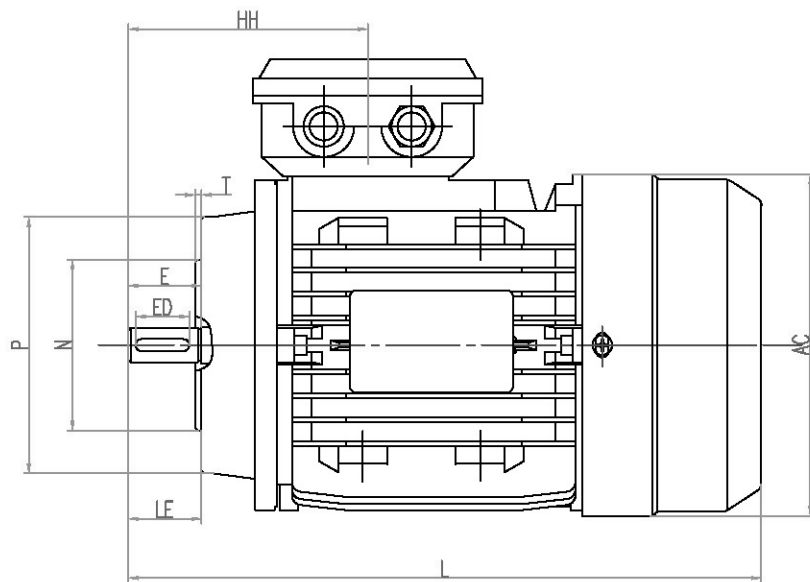
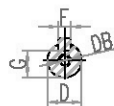
SIGNATURE

DATE

71 B35		DATE	CHECKED BY
DIMENSION OUTLINE		DESIGNED BY	APPROVED BY
ISSUE	DATE	ISSUE	CERTIFIED BY
ISSUE	DATE	ISSUE	CERTIFIED BY
ISSUE	DATE	ISSUE	CERTIFIED BY
ISSUE	DATE	ISSUE	CERTIFIED BY



FRAME	KW
MS71 1-2	0.37
MS71 2-2	0.55
MS71 3-2	0.75
MS71 1-4	0.25
MS71 2-4	0.37
MS71 3-4	0.55
MS71 1-6	0.18
MS71 2-6	0.25
MS71 3-6	0.37
EMS71 3-2	0.75



CLIENT:	FRAME	VOLTS
	71	
	KW	RPM

OUTLINE DIMENSIONS FLANGE MOUNTED MOTORS

SHAFT EXT.DE ONLY

WEIGHT(kg)

AC	AD	AG'	KK	L	HH	LE	M	N	P	S	T							D	DB	E	ED	F	G								
φ145	117	88.5	M20X1.5	260	98	30	φ85	φ70	φ105	4-M6	2.5							φ14	M5x12	30	22	5	11								

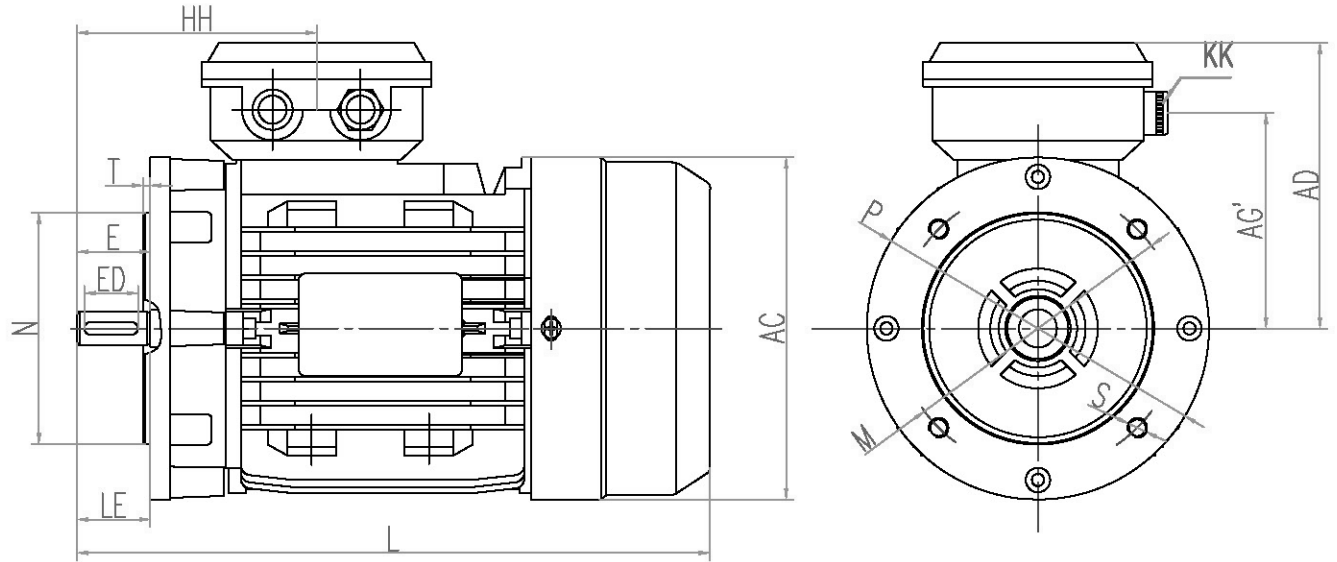
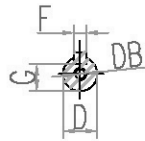
CUSTOMER APPROVAL _____
SIGNATURE DATE

71 B14A
DIMENSION OUTLINE



DATE		CHECKED BY
DESIGNED BY		APPROVED BY
ISSUE	DATE	CERTIFIED BY
ISSUE	DATE	CERTIFIED BY
ISSUE	DATE	CERTIFIED BY
ISSUE	DATE	CERTIFIED BY

FRAME	KW
MS71 1-2	0.37
MS71 2-2	0.55
MS71 3-2	0.75
MS71 1-4	0.25
MS71 2-4	0.37
MS71 3-4	0.55
MS71 1-6	0.18
MS71 2-6	0.25
MS71 3-6	0.37
EMS71 3-2	0.75



CLIENT:	KW	RPM
	71	
	FRAME	VOLTS

OUTLINE DIMENSIONS FLANGE MOUNTED MOTOS

SHAFT EXT.DE ONLY

AC	AD	AG'	KK	L	HH	L				M	N	P	S	T					D	DB	E	ED	F	G						
φ145	117	88.5	1-M20x1.5	260	98	30				φ115	φ95	φ140	4-M8	3					φ14	M5x12	30	22	5	11						

CUSTOMER APPROVAL _____
SIGNATURE DATE

71 B14B
DIMENSION OUTLINE



DATE		CHECKED BY
DESIGNED BY		APPROVED BY
ISSUE	DATE	CERTIFIED BY
ISSUE	DATE	CERTIFIED BY
ISSUE	DATE	CERTIFIED BY
ISSUE	DATE	CERTIFIED BY