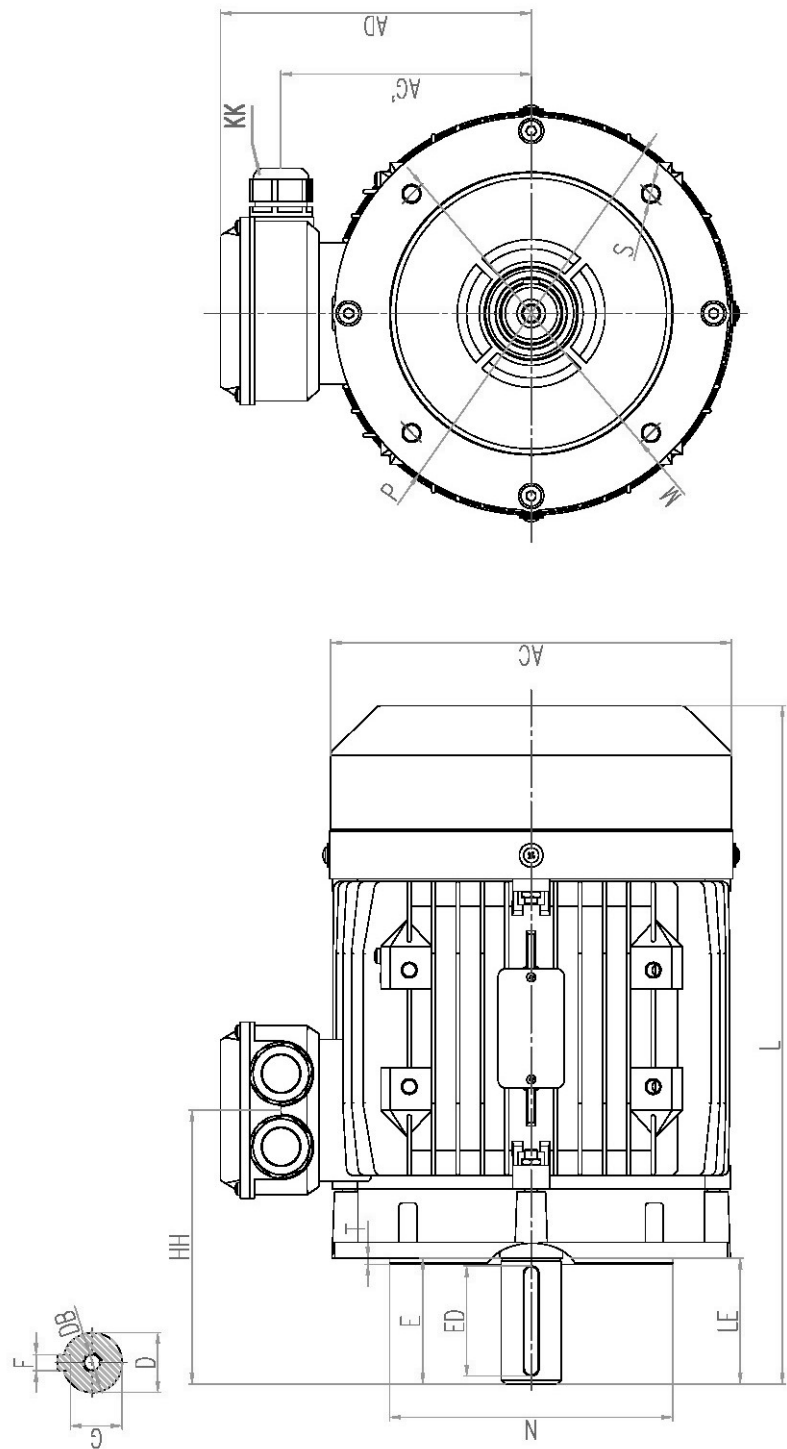








FRAME	KW
MS132S1-2	5.5
MS132S2-2	7.5
MS132S-4	5.5
MS132S-6	3
MS132S-8	2.2
EMS132S1-2	5.5
EMS132S2-2	7.5
EMS132S-4	5.5
EMS132S-6	3
CLIENT:	FRAME 132S
	KW
	RPM
	VOLTS



OUTLINE DIMENSIONS FLANGE MOUNTED MOTORS

AC	AD	AG'	KK	L	HH	LE	LE	M	N	P	S	T	D	DB	E	ED	F	G
φ270	193	159.5	2-M25x1.5	431	184.5	80	φ38	φ215	φ180	φ250	4-M12	4	M12x28	80	70	10	33	

SHAFT EXT. DE ONLY

132S B14B	DATE	CHECKED BY	
DIMENSION OUTLINE	DESIGNED BY	APPROVED BY	
	ISSUE	DATE	CERTIFIED BY
	ISSUE	DATE	CERTIFIED BY
	ISSUE	DATE	CERTIFIED BY
	ISSUE	DATE	CERTIFIED BY

CUSTOMER APPROVAL \_\_\_\_\_ SIGNATURE \_\_\_\_\_ DATE \_\_\_\_\_