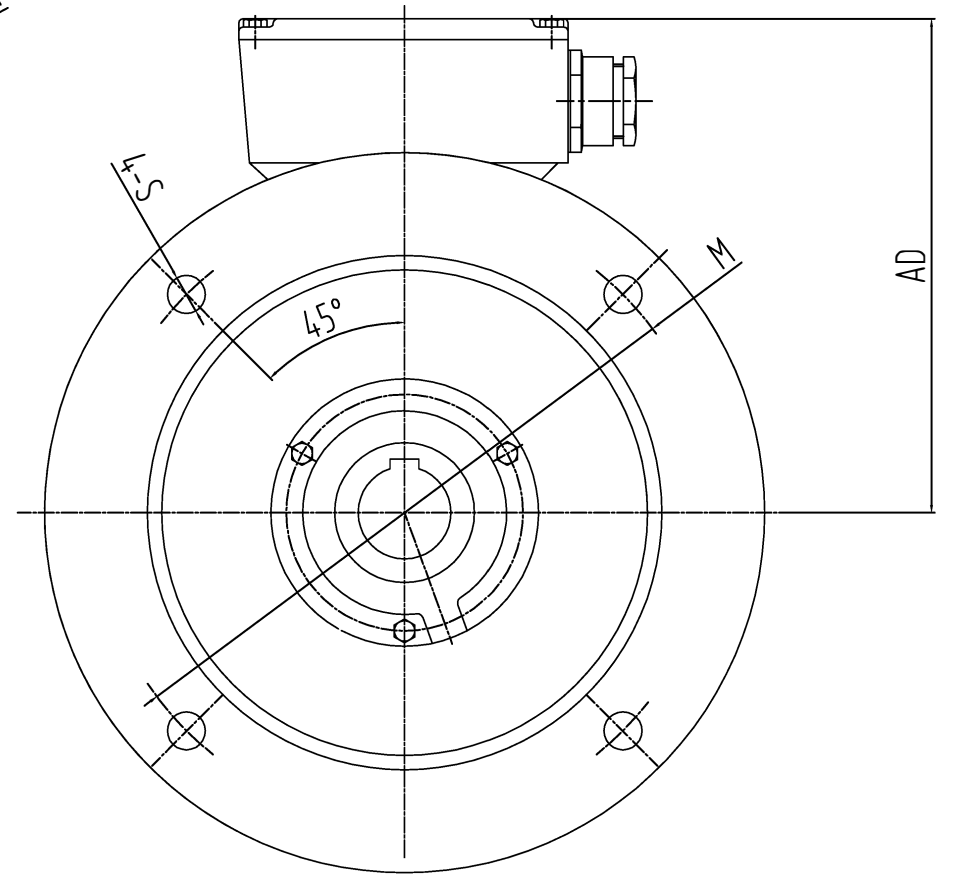
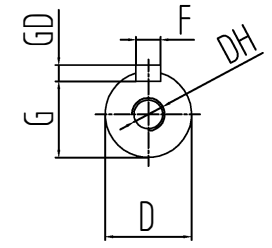
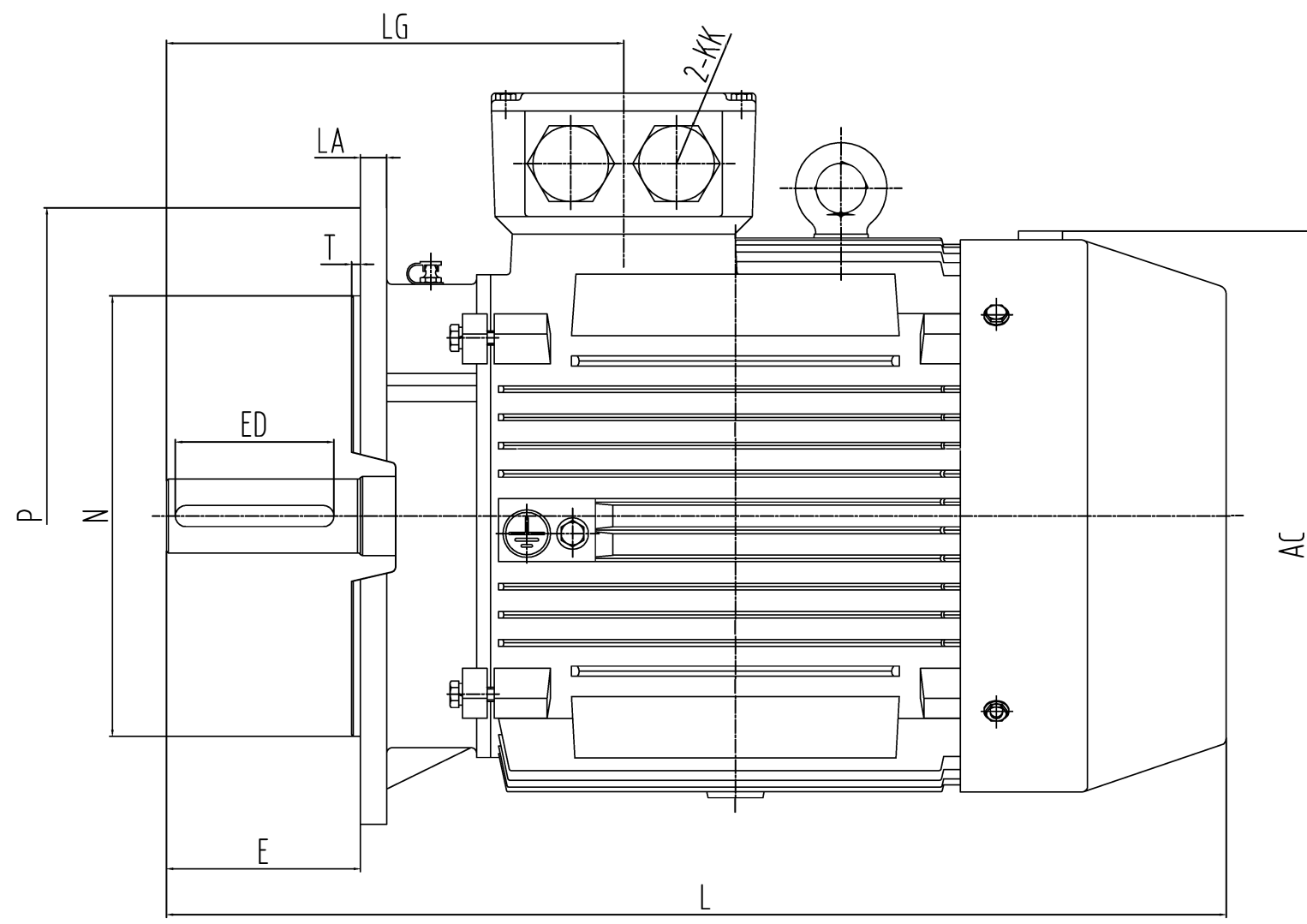


OUTLINE DIMENSIONS FOOT MOUNTED MOTORS

A	AA	AB	AC	HD	B	BB	C	D	E	ED	F	G	GD	H	HA	K	KK	L	LG	DH
254	65	320	330	425	254	325	108	42	110	80	12	37	8	160	19	14.5	M40X1.5	665	268	M16X36

CUSTOMER APPROVAL _____
 SIGNATURE _____ DATE _____

YE3-160L- DIMENSION OUTLINE	DATE	CHK
	DRAWN	APPD
	ISSUE A DATE	CERTIFIED BY
	ISSUE B DATE	CERTIFIED BY
	ISSUE C DATE	CERTIFIED BY
	ISSUE D DATE	CERTIFIED BY

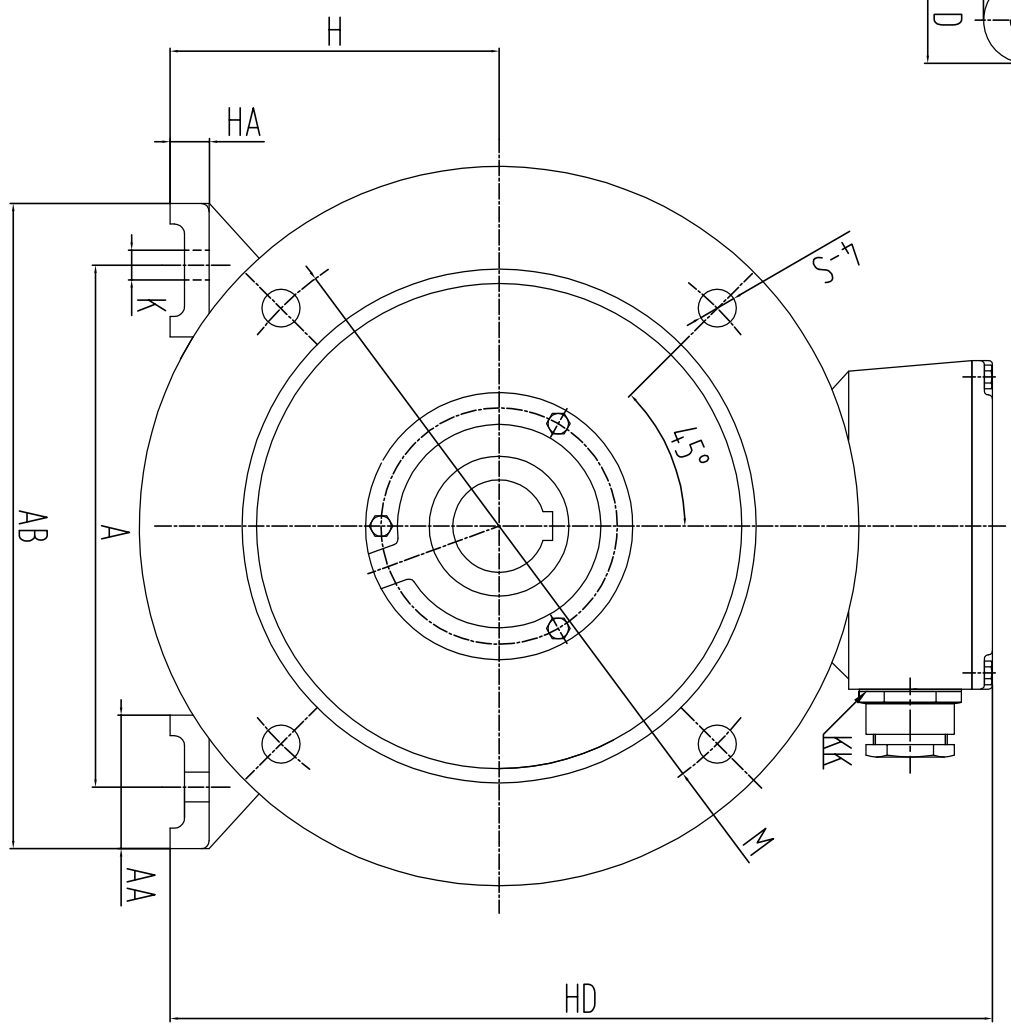
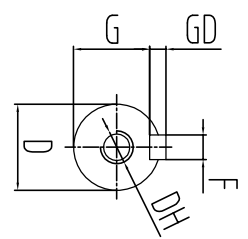
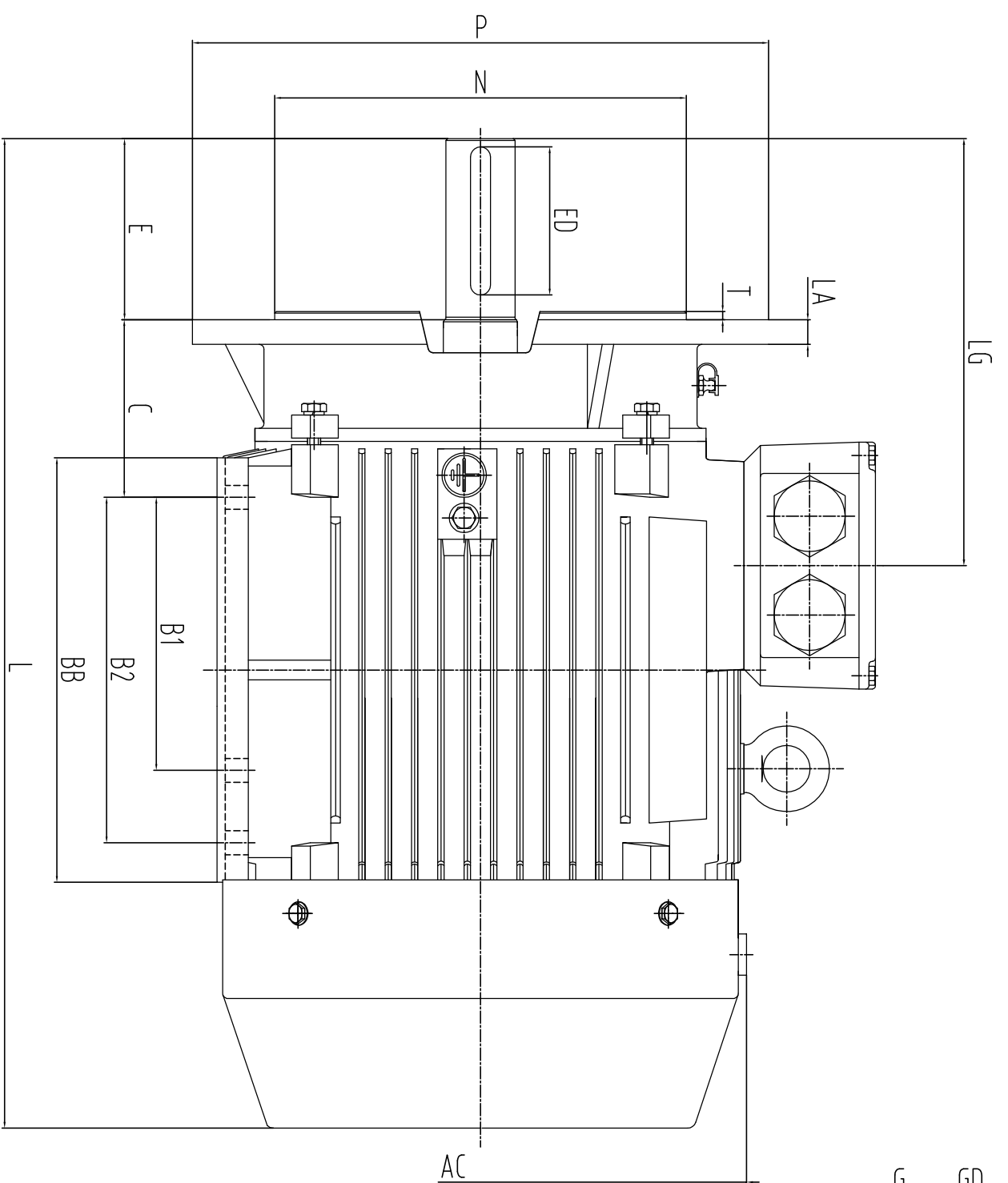


OUTLINE DIMENSION

AC	AD	D	E	ED	F	G	GD	KK	L	LG	LA	M	N	P	S	T	DH
330	265	42	110	90	12	37	8	M4.0X1.5	665(160M) 665(160L)	268	15	300	250	350	18.5	5	M16X36

CUSTOER _____
 SIGNATURE _____
 DATE _____

YE3-160_B5 DIMENSION OUTLINE	DATE		CHK
	DRAWN		APPD
	ISSUE A	DATE	CERTIFIED BY
	ISSUE B	DATE	CERTIFIED BY
	ISSUE C	DATE	CERTIFIED BY
	ISSUE D	DATE	CERTIFIED BY



OUTLINE DIMENSION

A	254
AA	65
AB	320
AC	330
HD	425
B1	210
B2	254
BB	325
C	108
D	42
E	110
ED	90
F	12
G	37
GD	8
H	160
HA	19
K	14.5
KK	M40X1.5
L	655
LG	268
LA	15
M	300
N	250
P	350
S	18.5
T	5
DH	M16X36

CUSTOMER

SIGNATURE

DATE

YE3-160(B35)	
DIMENSION OUTLINE	
DATE	CHK
DRAWN	APPD
ISSUE A DATE	CERTIFIED BY
ISSUE B DATE	CERTIFIED BY
ISSUE C DATE	CERTIFIED BY
ISSUE D DATE	CERTIFIED BY