

CLIENT:	FRAME	KW	RPM
	VOLTS		

OUTLINE DIMENSIONS FOOT MOUNTED MOTORS

SHAFT EXT.DE ONLY

WEIGHT

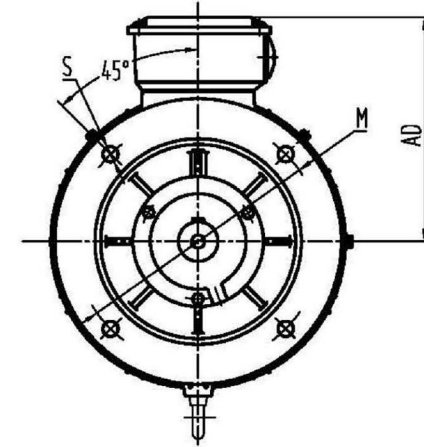
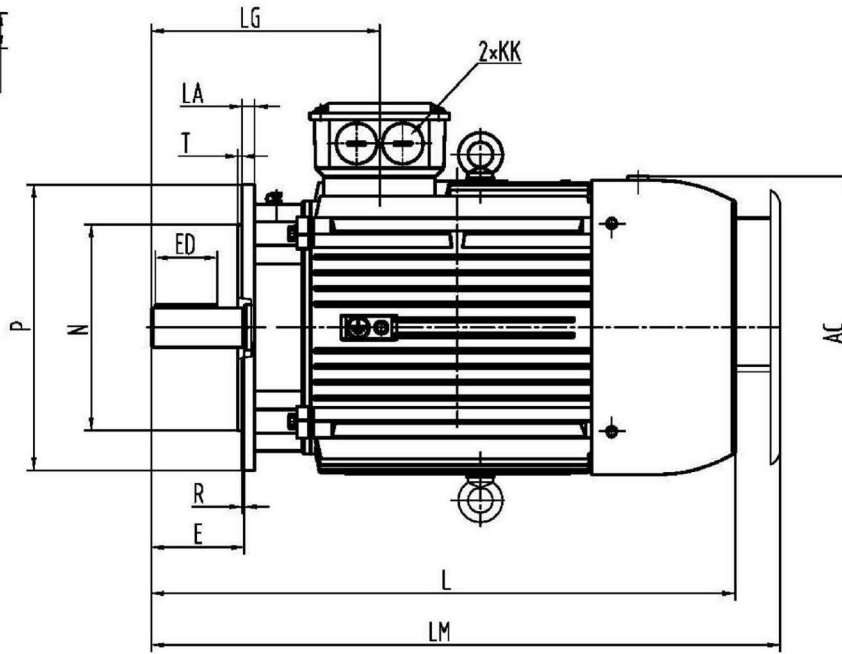
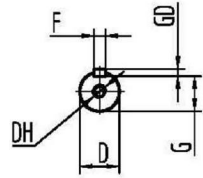
A	AA	AB	AC	B		BB	C	H	HA	HD	K	KK	L	LG	D	DH	E	ED	F	G	GD		
279	74	350	380	241 (180M)	279(180L)	330(180M)	370(180L)	121	180	22	460	14.5	M40X1.5	720(180M)	768(180L)	277	48	M16X36	110	90	14	4.2.5	9

CUSTOMER APPROVAL \_\_\_\_\_  
SIGNATURE DATE

YX3-180 2-8P (B3)  
DIMENSION OUTLINE



DATE	2005.12.5	CHK	
DRAWN		APPD	
ISSUE A	DATE	CERTIFIED BY	
ISSUE B	DATE	CERTIFIED BY	
ISSUE C	DATE	CERTIFIED BY	
ISSUE D	DATE	CERTIFIED BY	



CLIENT:	KW	RPM
	FRAME	VOLTS

OUTLINE DIMENSIONS FLANGE MOUNTED MOTORS

SHAFT EXT.DE ONLY

WEIGHT

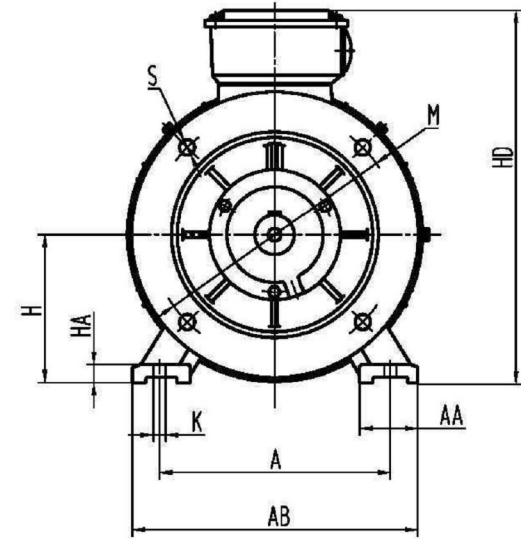
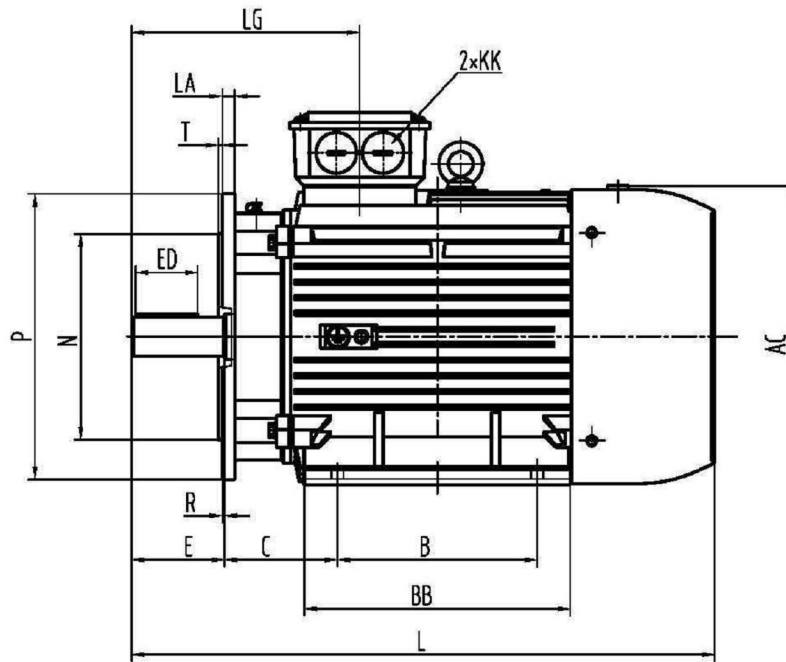
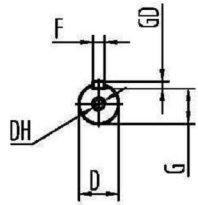
AC	AD		KK	L	LG	LA	M	N	P	R	S	T				D	DH	E	ED	F	G	GD
380	270		M40X1.5	720(180M) 768(180L)	277	15	300	250	350	0	18.5	5				48	M16X36	110	90	14	42.5	9

CUSTOMER APPROVAL \_\_\_\_\_  
SIGNATURE DATE

YX3-180 2-8P (B5,V1)  
DIMENSION OUTLINE



DATE	2005.12.5	CHK	
DRAWN		APPD	
ISSUE A	DATE	CERTIFIED BY	
ISSUE B	DATE	CERTIFIED BY	
ISSUE C	DATE	CERTIFIED BY	
ISSUE D	DATE	CERTIFIED BY	



CLIENT:	KW	RPM
	FRAME	VOLTS

OUTLINE DIMENSIONS FOOT-FLANGE MOUNTED MOTORS

SHAFT EXT.DE ONLY

WEIGHT

A	AA	AB	AC	B		BB		C	H	HA	HD	K	KK	L		LG	D	DH	E	ED	F	G	GD
279	74	350	380	241(180M)	279(180L)	330(180M)	370(180L)	121	180	22	460	14.5	M4.0X1.5	720(180M)	768(180L)	277	48	M16X36	110	90	14	42.5	9

LA	M	N	P	R	S	T
15	300	250	350	0	18.5	5

CUSTOMER APPROVAL \_\_\_\_\_  
SIGNATURE \_\_\_\_\_ DATE \_\_\_\_\_

YX3-180 2-8P (B35)  
DIMENSION OUTLINE



DATE	2005.12.5	CHK	
DRAWN		APPD	
ISSUE A	DATE	CERTIFIED BY	
ISSUE B	DATE	CERTIFIED BY	
ISSUE C	DATE	CERTIFIED BY	
ISSUE D	DATE	CERTIFIED BY	