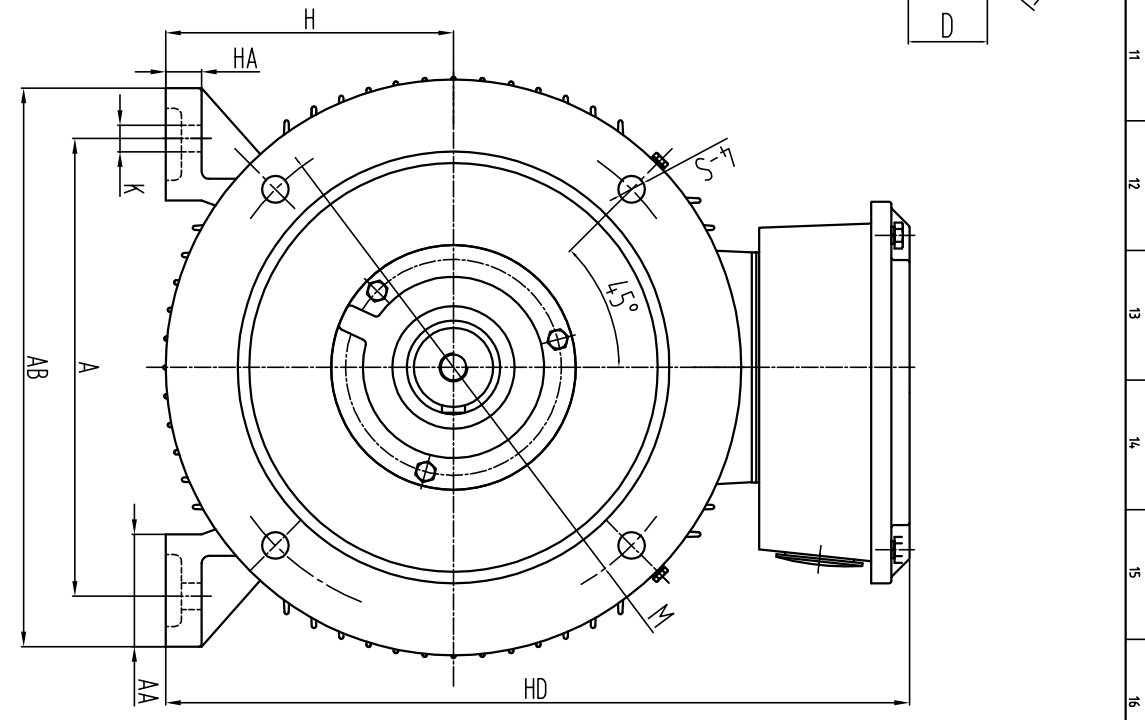
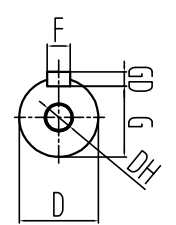
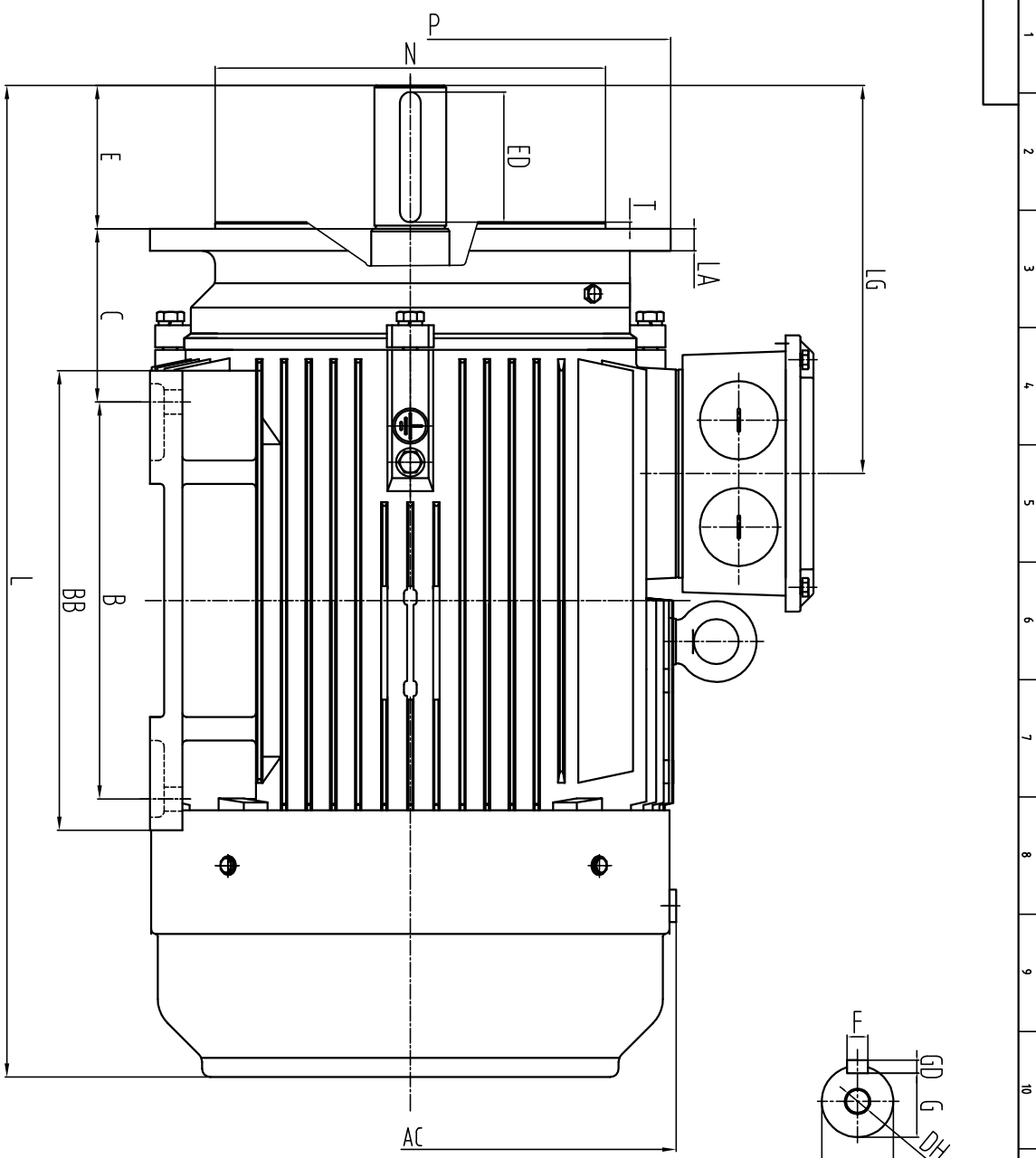


OUTLINE DIMENSION

AC	AD	D	E	ED	F	G	GD	KK	DH	L	LG	LA	M	N	P	S	T
420	315	55	110	90	16	49	10	M50X1.5	M20X42	760	300	17	350	300	400	18.5	5

YE2-200L(B5)			
DIMENSION OUTLINE			
DATE	CHK	DATE	CHK
DRAWN	APPD	DATE	APPD
ISSUE A DATE	CERTIFIED BY	ISSUE B DATE	CERTIFIED BY
ISSUE C DATE	CERTIFIED BY	ISSUE D DATE	CERTIFIED BY

Shandong Sunwin Electrical Machinery CO.,LTD



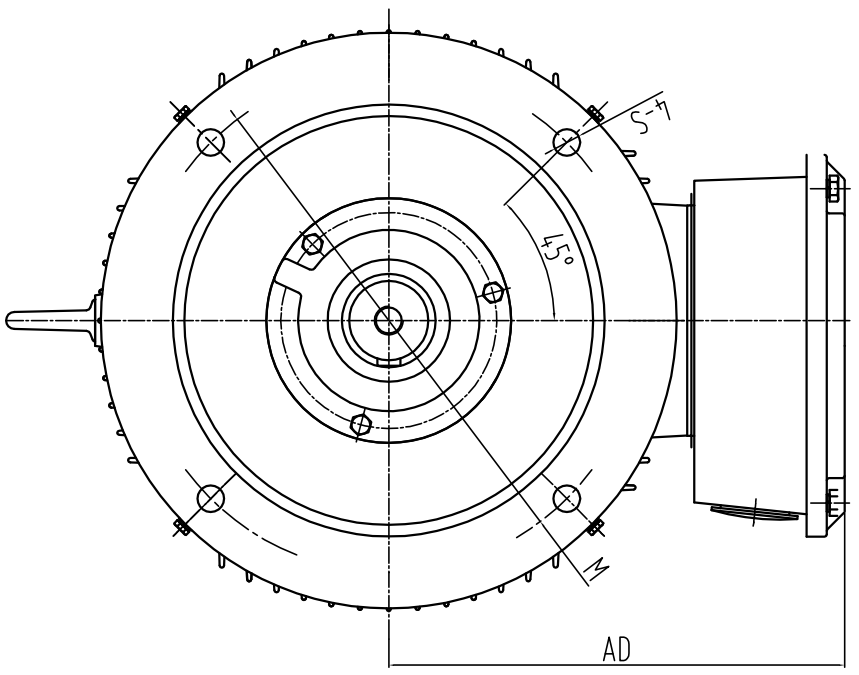
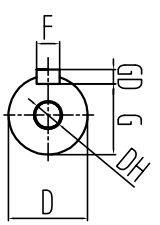
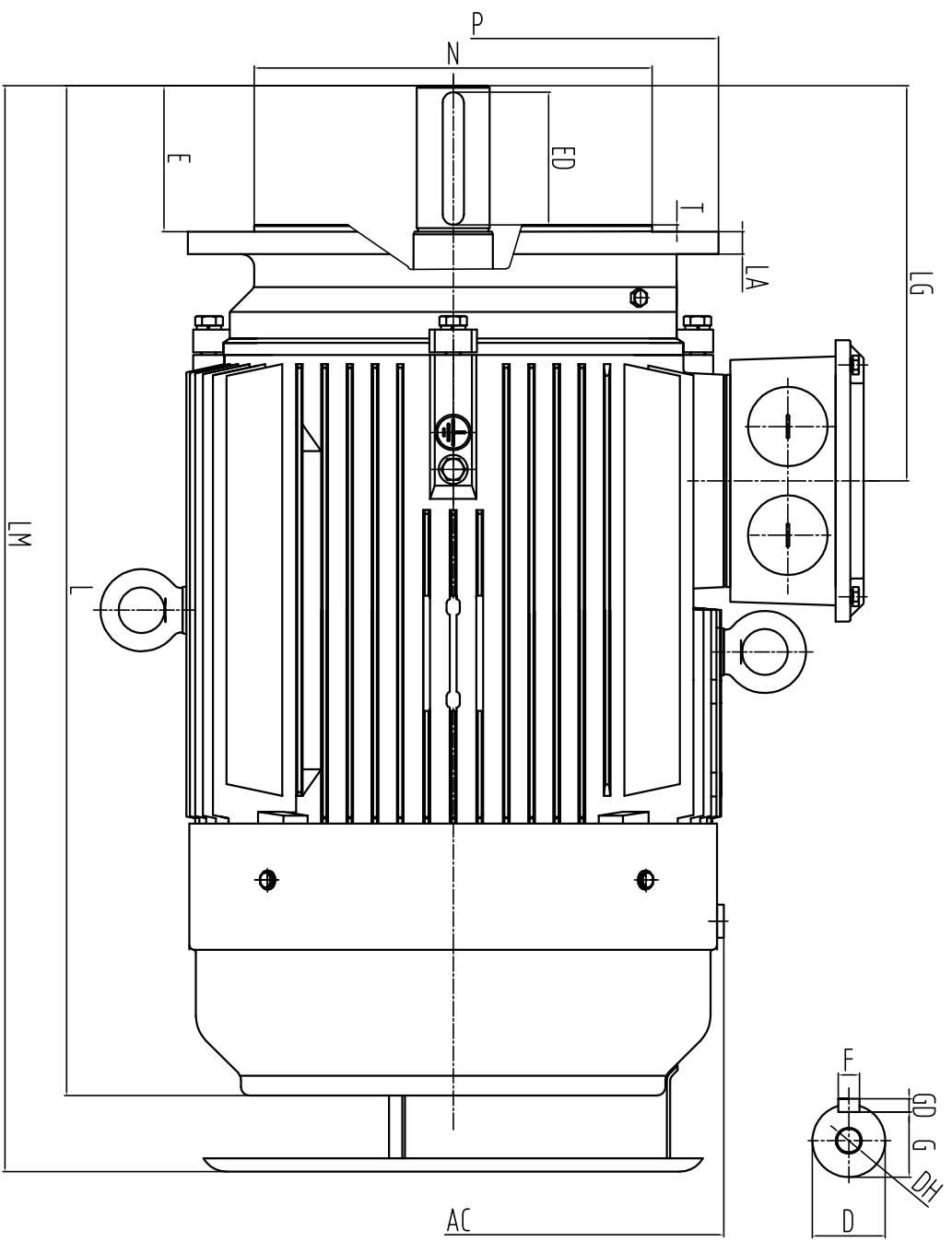
OUTLINE DIMENSIONS

318	A
80	AA
390	AB
420	AC
510	HD
305	B
355	BB
133	C
55	D
110	E
90	ED
16	F
49	G
10	GD
200	H
25	HA
18.5	K
M50X15	KK
790	L
298	LG
M20X4.2	DH
17	LA
350	M
300	N
400	P
18.5	S
5	T

YE2-200L(B5)  
DIMENSION OUTLINE

DATE	CHK
DRAWN	APPD
ISSUE A DATE	CERTIFIED BY
ISSUE B DATE	CERTIFIED BY
ISSUE C DATE	CERTIFIED BY
ISSUE D DATE	CERTIFIED BY

Shandong Sunwin Electrical Machinery CO.,LTD



OUTLINE DIMENSION																	
AC	AD	D	E	ED	F	G	GD	KK	L	LM	LG	LA	M	N	P	S	T
420	315	55	110	90	16	49	10	M50X1.5	760	845	300	17	350	300	400	18.5	5
								M20X42									

YE2-200L(V1)			
DIMENSION OUTLINE			
DATE	CHK	APPD	
DRAWN			
ISSUE A DATE	CERTIFIED BY		
ISSUE B DATE	CERTIFIED BY		
ISSUE C DATE	CERTIFIED BY		
ISSUE D DATE	CERTIFIED BY		

Shandong Sunwin Electrical Machinery CO.,LTD

审核	设计	工艺	材料	标准	其他
----	----	----	----	----	----

1	2	3	4	5	6	7	8	9	10	11	12	13	14	15	16
---	---	---	---	---	---	---	---	---	----	----	----	----	----	----	----