



Manufacturer

VEM motors GmbH - Werk Zwickau
Äußere Dresdner Str. 35

Customer

akkerstraat 10

08066 ZWICKAU
Deutschland

Three-phase motors with squirrel cage rotor,
Housing grey cast iron

Type	IE3-W41R 100 L4		
Design output	(kW)	2,2	
Design torque	(Nm)	14,5	
Class IE	[-]	IE3-86,7%	
Efficiency determination		EN 60034-2-1	
Duty type		S1	
Design frequency	(Hz)	50	
Design speed	[rpm]	1450	
Voltage	(V)	230/400	
Connection	[-]	D	Y
Current	[A]	7.91	4.55
Relative pull-in current	[-]	8,2	
Relative starting torque	[-]	2,9	
Relative pull-up torque	[-]	2,7	
Relative pull-out torque	[-]	3,8	
Efficiency100/75/50 %	[%]		86,7 / 87 / 85,1
Power factor	[-]	0,81	
Th. cl.		155(F/B)	
Coolant temperature	(°C)	-20...+40	
Altitude above sea level	(m)	1000	
Degree of protection IP		IP55	
Moment of inertia	(kgm ²)	0,011	
Motor weight	(kg)	45	
Bearing, D-side		6206 2Z C3	
Bearing, N-side		6206 2ZN C3	
Relubrication interval	(h)		
Grease type		Asonic GLY 32	
Grease amount	[cm ³]		

Options

Type of mounting	IM B35
Flange	FF 215[A 250]
Terminal box	Standard
Position of terminal box	on the top
Cable gland	Sealing plug
Position of cable entry	right
Shaft	Standard, 1 shaft end
Bearing	Easy bearing arrangement
Limit values to vibration velocity	Class A
	Balancing with half key
Colour system	01 Moderate (KK C2),RAL 7031 blue-grey
Delivery conditions and/or official regulations:	IEC / EN 60034-1

This document was produced electronically, all specifications are valid only after confirmation of the manufacturer

Data sheet

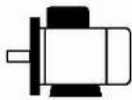
11.01.2024 MADE WITH VEM EKAT 2024



Three-phase motors with squirrel cage rotor,
Housing grey cast iron

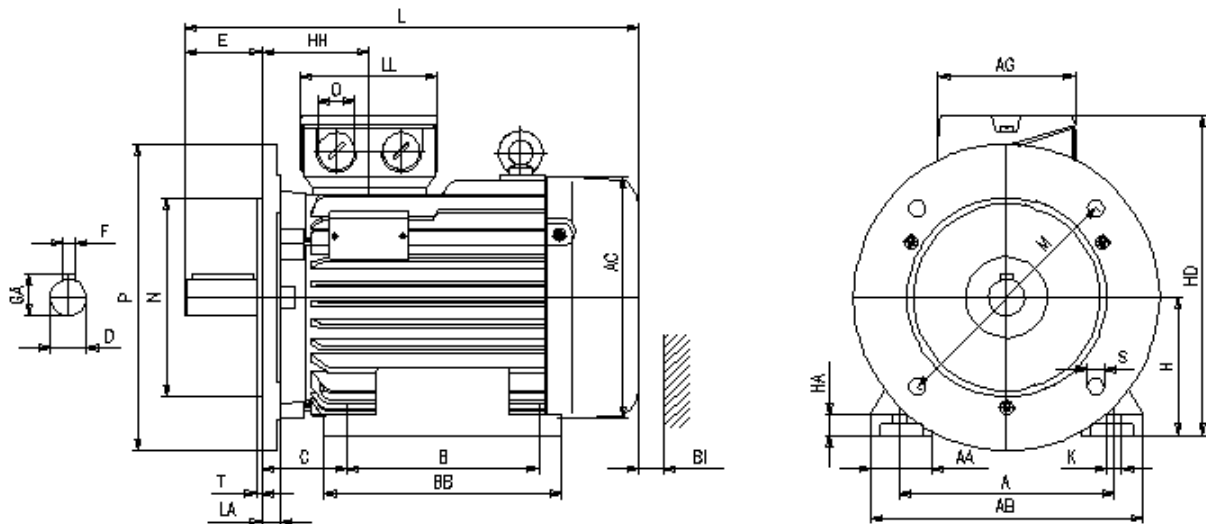
IE3-W41R 100 L4

Mounting position



Type of mounting: IM B35
Flange: FF 215[A 250]
Position of terminal box: on the top
Brake type:
Forced-ventilation:

Terminal box: KA 05
Cable gland O: 1 xSealing plug



Motor

A	AA	AB	AC	AD	B	B'	BA	BA'	BB	C	CA	K	K'		
160	42	193	196	-	140	-	-	-	175	63	-	12	12		
												Protection cover		Terminal box	
L	LC	H	HA	HD	HH	BI	L	AG	LL	BE	AH	-	-		
421	-	100	13	236	77	20	-	92	92	-	-	-	-		

Flange

P	N	LA	M	T	S	Tolerances		H	N	D	DA
250	180	13	215	4	14			-0,5	j6	k6	k6

Shaft-DS

D	E	GA	F	DB
28	60	31	8	DIN 332 DS- M10

Shaft-NS

DA	EA	GC	FA
-	-	-	-

DB...Centre hole

Delivery conditions and/or official regulations: IEC / EN 60034-1

This document was produced electronically, all specifications are valid only after confirmation of the manufacturer