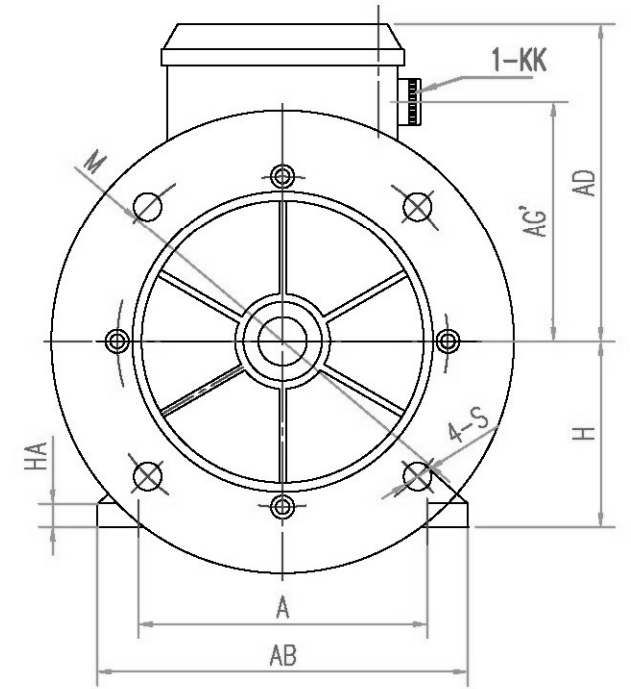
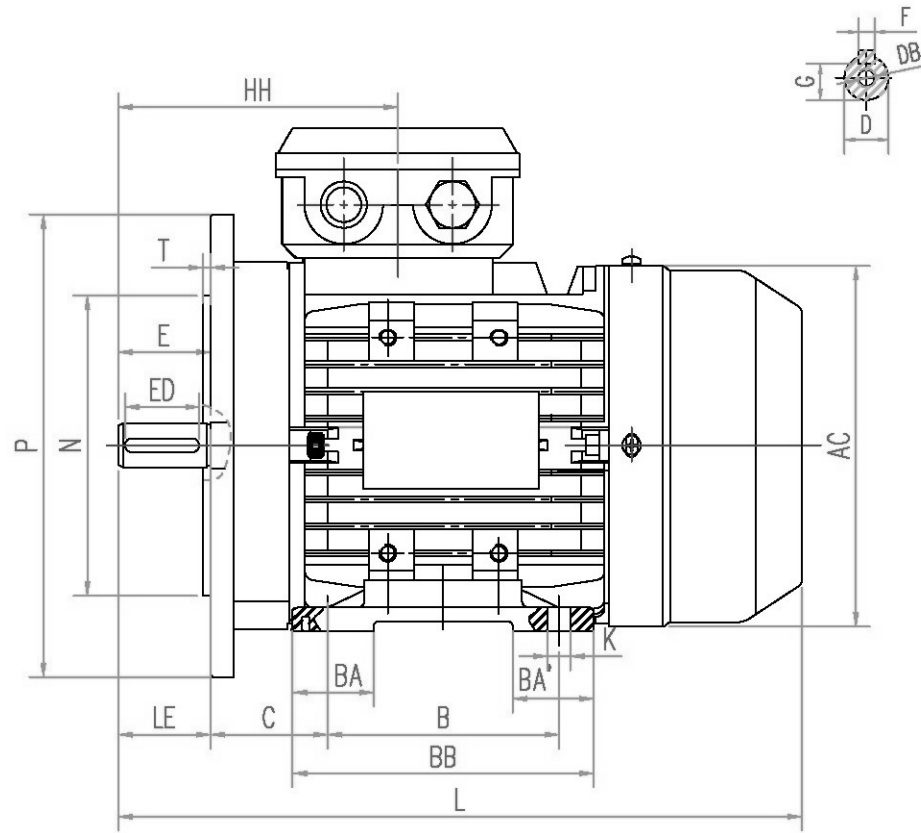


FRAME	KW
MS80 1-2	0.75
MS80 2-2	1.1
MS80 3-2	1.5
MS80 1-4	0.55
MS80 2-4	0.75
MS80 3-4	1.1
MS80 1-6	0.37
MS80 2-6	0.55
MS80 3-6	0.75
MS80 1-8	0.18
MS80 2-8	0.25
MS80 3-8	0.37



CLIENT:	FRAME	80	KW	RPM	EMS80 1-2	0.75
	VOLTS				EMS80 2-2	1.1
					EMS80 3-2	1.5
					EMS80 1-4	0.55
					EMS80 2-4	0.75
					EMS80 3-4	1.1

OUTLINE DIMENSIONS FLANG MOUNTED MOTORS

SHAFT EXT.DE ONLY

A	AA	AB	AC'	AC	AD	B	BB	BA	BA'	LE	HH	C	H	HA	K	KK	L	M	N	P	S	T	D	DB	E	ED	F	G	
125	35	160	103	φ165	137	100	130	35	35	40	120.5	50	80	10	10X13	M20X1.5	295	φ165	φ130	φ200	φ12	3.5	φ19	M6×16	40	32	6	15.5	

CUSTOMER APPROVAL

SIGNATURE

DATE

80 B35

DIMENSION OUTLINE



DATE		CHECKED BY	
DESIGNED BY		APPROVED BY	
ISSUE	DATE	CERTIFIED BY	
ISSUE	DATE	CERTIFIED BY	
ISSUE	DATE	CERTIFIED BY	
ISSUE	DATE	CERTIFIED BY	