

Data sheet for three-phase Squirrel-Cage-Motors SIMOTICS

Motor type : 1CV3310A

SIMOTICS SD - 315 S - IM B3 - 2p

Client order no.	Item-No.	Offer no.
Order no.	Consignment no.	Project

Remarks

Electrical data

Safe Area

U [V]	Δ / Y	f [Hz]	P [kW]	P [hp]	I [A]	n [1/min]	M [Nm]	η ³⁾			$\cos\phi$ ³⁾			I_M/I_N	M_M/M_N	T_M/T_N	I_E-CL
								4/4	3/4	2/4	4/4	3/4	2/4				
DOL duty (S1) - 155(F) to 130(B)																	
400	Δ	50	110.00	-/	183.00	2982	350.0	95.2	95.4	94.9	0.91	0.90	0.85	7.1	2.4	3.1	IE3
690	Y	50	110.00	-/	106.00	2982	350.0	95.2	95.4	94.9	0.91	0.90	0.85	7.1	2.4	3.1	IE3
460	Δ	60	123.00	-/	179.00	3582	330.0	95.0	95.0	94.2	0.91	0.90	0.85	7.2	2.4	3.0	IE3
460	Δ	60	110.00	-/	160.00	3585	295.0	95.0	94.8	93.8	0.91	0.89	0.84	8.0	2.6	3.3	IE3

IEC, DIN, ISO, VDE, EN

Locked rotor time (hot / cold) : 47.6 s | 78.8 s

Mechanical data

Sound level (SPL / SWL) at 50Hz/60Hz	75 / 89 dB(A) ^{2) 3)}	79 / 93 dB(A) ^{2) 3)}	External earthing terminal	With (standard)	
Moment of inertia	1.3900 kg m ²			Vibration severity grade	A
Bearing DE NDE	6316 C3	6316 C3	Thermal class	F	
bearing lifetime	S1				
L_{oper} , F_{load} , n_{min} for coupling operation	40000 h	32000 h	Direction of rotation	bidirectional	
50/60Hz, n_{min}	30 g 30 g	3000 h	Frame material	cast iron	
Relubrication interval/quantity DE NDE	Unirex N3				
Lubricants	With (standard)				
Regreasing device	M10x1 DIN 3404 A	Locating bearing NDE	Net weight of the motor (IM B3)	750 kg	
Grease nipple	With (standard)				
Type of bearing	Special paint finish C3				
Condensate drainage holes	RAL7030				
	(B) 3 PTC thermistors - for tripping (standard) (2 terminals)				
	Method of cooling				
	IC411 - self ventilated, surface cooled				

Terminal box

Terminal box position	top	Max. cross-sectional area	240 mm ²
Material of terminal box	cast iron	Cable diameter from ... to ...	38 mm - 45 mm
Type of terminal box	TB1 Q01	Cable entry	2xM63x1.5-2xM20x1.5
Contact screw thread	M12	Cable gland	4 plugs

Notes:

1) L10mh according to DIN ISO 281 10/2010
2) at rated power / at full load

3) Value is valid only for DOL operation with motor design (C411)

responsible dep.

Technical data are subject to change! There may be discrepancies between calculated and rating plate values.

[Link documents](#)

DI MC LVM

approved by

document type
datasheet

document status
released

SIEMENS

document number

1LE1603-3AA03-4AB4

© Siemens AG 2023

rev.

943

language

en

creation date

2023-03-28

Page

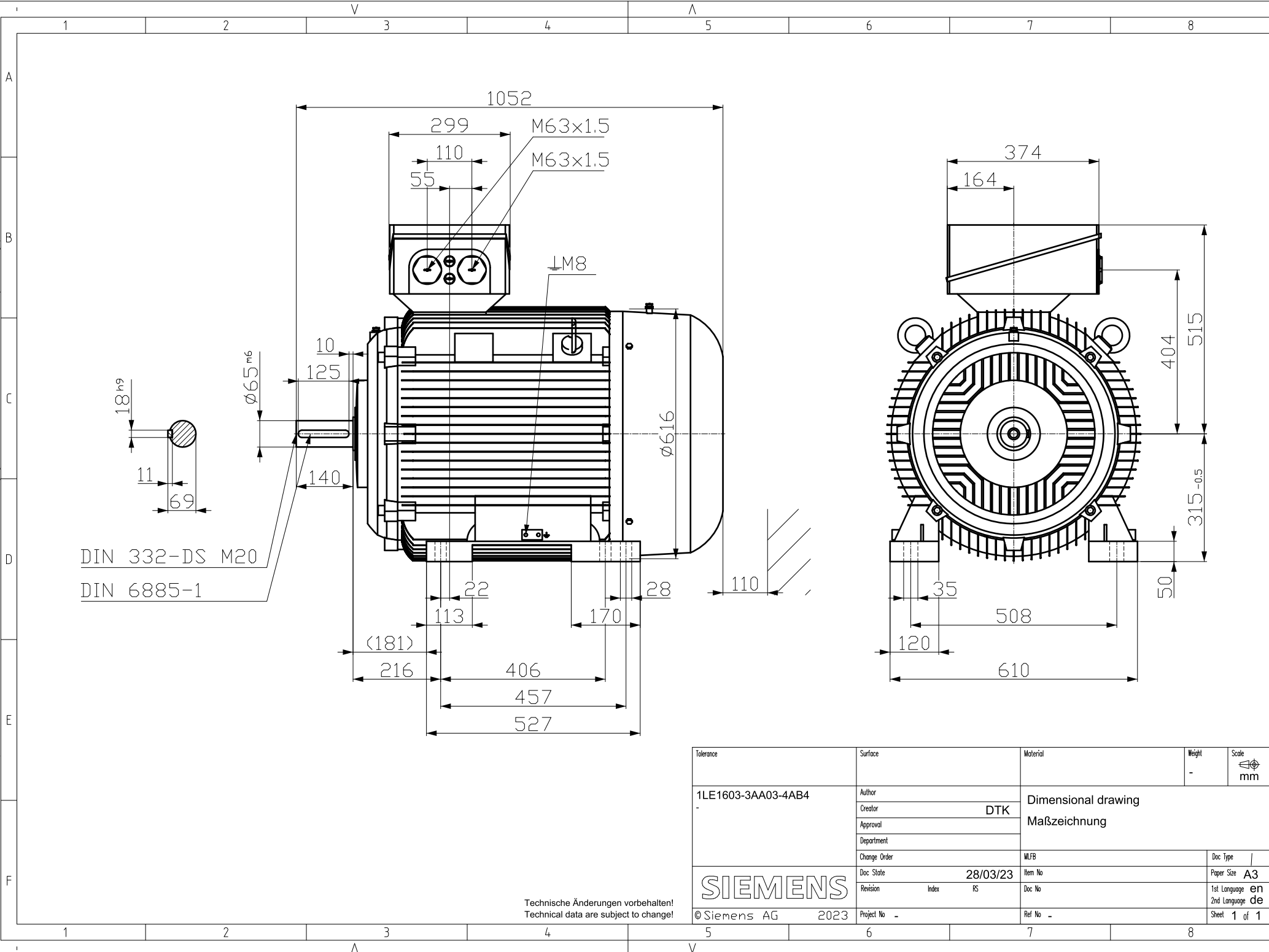
1/1

Transmittiert, reproduziert, weitergegeben, veröffentlicht, als
 well as utilization of its content are prohibited. Offenders will be held liable
 for payment of damages. All rights created by patent grant or registra-
 tion or a utility model or design patent are reserved.

Wichtige sein, Verantwortung und Haftung nicht übertragbar sind,
 als Dokumentes, Verantwortung und Haftung nicht übertragbar sind,
 soweit nicht ausdrücklich gestattet. Zuwiderhandlungen verpflichten zu
 Schadenersatz. Alle Rechte für den Fall der Patenterteilung, Gebrauch-
 smuster- oder Geschmackszeichenerrechte vorbehalten.

Confidit, a titre de secret d'entreprise. Tous droits réservés.
 Compañía de fabricación. Reservados todos los derechos.
 Держатель в качестве производителя моего опыта.
 Все права компетентности за нами.
 Confidido como secreto de empresa. No autorizamos todos los derechos.

Confidit, a titre de secret d'entreprise. Tous droits réservés.
 Compañía de fabricación. Reservados todos los derechos.
 Держатель в качестве производителя моего опыта.
 Все права компетентности за нами.
 Confidido como secreto de empresa. No autorizamos todos los derechos.



DIN 332-DS M20
 DIN 6885-1

Technische Änderungen vorbehalten!
 Technical data are subject to change!

Tolerance	Surface	Material	Weight	Scale mm
1LE1603-3AA03-4AB4	Author Creator Approval Department Change Order	Dimensional drawing Maßzeichnung	-	mm
	Doc. State 28/03/23	Item No	Doc Type	
	Revision Index RS	Doc No	Paper Size A3	
SIEMENS	Project No -	Ref No -	1st Language en 2nd Language de	
© Siemens AG 2023			Sheet 1 of 1	