



Manufacturer

Customer

VEM motors GmbH - Werk Zwickau
Äußere Dresdner Str. 35

08066 ZWICKAU
Deutschland

Three-phase motors with squirrel cage rotor,
Housing grey cast iron

Type	IE3-W41R 80 K4		
Design output	(kW)	0,55	
Design torque	(Nm)	3,65	
Class IE	[-]	IE3-80,8%	
Efficiency determination	EN 60034-2-1		
Duty type	S1		
Design frequency	(Hz)	50	
Design speed	[rpm]	1440	
Voltage	(V)	230/400	
Connection	[-]	D	Y
Current	[A]	2.21	1.27
Relative pull-in current	[-]	6,6	
Relative starting torque	[-]	3	
Relative pull-up torque	[-]	2,9	
Relative pull-out torque	[-]	3,6	
Efficiency100/75/50 %	[%]	80,8 / 80,1 / 76,7	
Power factor	[-]	0,77	
Th. cl.	155(F/B)		
Coolant temperature	(°C)	-20...+40	
Altitude above sea level	(m)	1000	
Degree of protection IP	IP55		
Moment of inertia	(kgm ²)	0,00207	
Motor weight	(kg)	14,5	
Bearing, D-side	6205 2Z C3		
Bearing, N-side	6205 2Z C3		
Relubrication interval	(h)		
Grease type	Asonic GLY 32		
Grease amount	[cm ³]		
A-sound pressure level	(dB)	a.A.	

Options

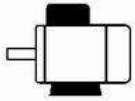
Type of mounting	IM B3
Flange	-
Terminal box	Standard
Position of terminal box	on the top
Cable gland	Sealing plug
Position of cable entry	right
Shaft	Standard, 1 shaft end
Bearing	Easy bearing arrangement
Limit values to vibration velocity	Class A
	Balancing with half key
Colour system	01 Moderate (KK C2),RAL 7031 blue-grey
Delivery conditions and/or official regulations:	IEC / EN 60034-1

This document was produced electronically, all specifications are valid only after confirmation of the manufacturer

Three-phase motors with squirrel cage rotor,
Housing grey cast iron

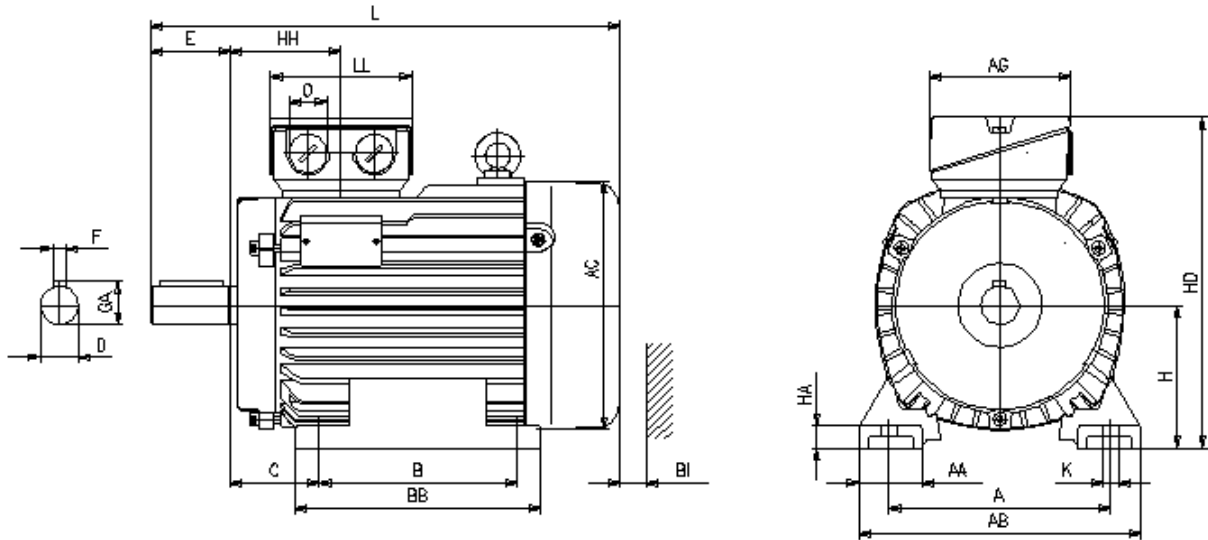
IE3-W41R 80 K4

Mounting position



Type of mounting: IM B3
Flange: -
Position of terminal box: on the top
Brake type:
Forced-ventilation:

Terminal box: KA 05
Cable gland O: 1 x Sealing plug



Motor

A	AA	AB	AC	AD	B	B'	BA	BA'	BB	C	CA	K	K'		
125	32	152	157	-	100	-	-	-	125	50	-	10	10		
												Protection cover		Terminal box	
L	LC	H	HA	HD	HH	BI	L	AG	LL	BE	AH	-	-		
265	-	80	9	200	70	16	-	92	92	-	-	-	-		

Flange

P	N	LA	M	T	S	Tolerances							
-	-	-	-	-	-	H	N	D	DA				
						-0,5	j6	k6	k6				

Shaft-DS

D	E	GA	F	DB
19	40	21,5	6	DIN 332 DS - M6

Shaft-NS

DA	EA	GC	FA
-	-	-	-

DB...Centre hole

Delivery conditions and/or official regulations: IEC / EN 60034-1

This document was produced electronically, all specifications are valid only after confirmation of the manufacturer