



Manufacturer

VEM motors GmbH - Werk Zwickau
Äußere Dresdner Str. 35

Customer

akkerstraat 10

08066 ZWICKAU
Deutschland

Three-phase motors with squirrel cage rotor,
Housing grey cast iron

Type	IE3-W41R 132 S2T		
Design output	(kW)	5,5	
Design torque	(Nm)	18,05	
Class IE	[-]	IE3-89,2%	
Efficiency determination	EN 60034-2-1		
Duty type		S1	
Design frequency	(Hz)	50	
Design speed	[rpm]	2910	
Voltage	(V)	400/690	
Connection	[-]	D	Y
Current	[A]	10.70	6.20
Relative pull-in current	[-]	8	
Relative starting torque	[-]	2,7	
Relative pull-up torque	[-]	2,5	
Relative pull-out torque	[-]	3,6	
Efficiency100/75/50 %	[%]	89,2 / 90,3 / 89,9	
Power factor	[-]	0,83	
Th. cl.		155(F/B)	
Coolant temperature	(°C)	-20°C...+40°C	
Altitude above sea level	(m)	1000m	
Degree of protection IP		IP55	
Moment of inertia	(kgm ²)	0,0068	
Motor weight	(kg)	48	
Bearing, D-side		6208 2ZN C3	
Bearing, N-side		6306 2Z C3	
Relubrication interval	(h)		
Grease type		Asonic GLY 32	
Grease amount	[cm ³]		
A-sound pressure level	(dB)	a.A.	

Options

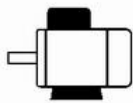
Type of mounting	IM B3
Flange	-
Terminal box	Standard
Position of terminal box	on the top
Cable gland	Sealing plug
Position of cable entry	right
Shaft	Standard, 1 shaft end
Bearing	Easy bearing arrangement
Special details to bearings	Fixed bearing, N-side
Winding protection	1 set ptc resistors
Limit values to vibration velocity	Class A
	Balancing with half key
Colour system	01 Moderate (KK C2),RAL 7031 blue-grey
Delivery conditions and/or official regulations:	IEC / EN 60034-1

This document was produced electronically, all specifications are valid only after confirmation of the manufacturer

Three-phase motors with squirrel cage rotor,
Housing grey cast iron

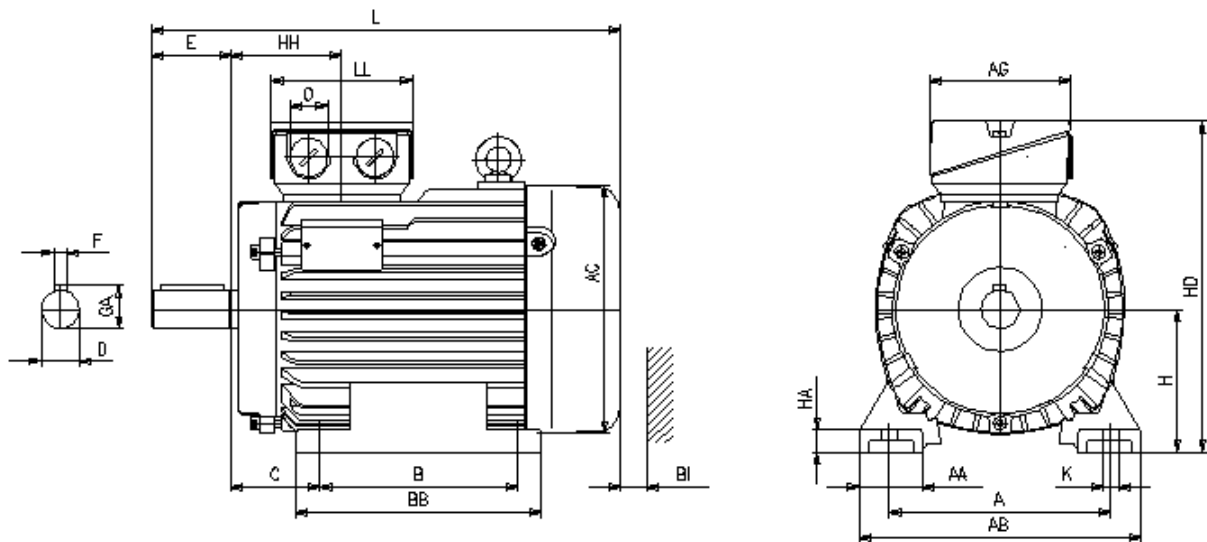
IE3-W41R 132 S2T

Mounting position



Type of mounting: IM B3
Flange: -
Position of terminal box: on the top
Brake type:
Forced-ventilation:

Terminal box: KA 05-13
Cable gland O: 1 x Sealing plug



Motor

A	AA	AB	AC	AD	B	B'	BA	BA'	BB	C	CA	K	K'
216	52	256	196	-	140	-	-	-	180	89	-	12	12
L	LC	H	HA	HD	HH	BI	Protection cover			AG	LL	Terminal box	
460	-	132	19	287	105	20	L	-	-	104	112	BE	AH

Flange

P	N	LA	M	T	S
-	-	-	-	-	-

Tolerances

H	N	D	DA
-0,5	j6	k6	k6

Shaft-DS

D	E	GA	F	DB
38	80	41	10	DIN 332 DS- M12

Shaft-NS

DA	EA	GC	FA
-	-	-	-

DB...Centre hole

Delivery conditions and/or official regulations: IEC / EN 60034-1

This document was produced electronically, all specifications are valid only after confirmation of the manufacturer