



Manufacturer

VEM motors GmbH - Werk Wernigerode
Carl-Friedrich-Gauß-Straße 1

Customer

akkerstraat 10

38855 WERNIGERODE
Deutschland

Three-phase motors with squirrel cage rotor,
Housing grey cast iron

Type	IE3-W42R 112 M4 HW		
Design output	(kW)	4	
Design torque	(Nm)	26	
Class IE	[-]	IE3-88,6%	
Efficiency determination	EN 60034-2-1		
Duty type		S1	
Design frequency	(Hz)	50	
Design speed	[rpm]	1460	
Voltage	(V)	230/400	
Connection	[-]	D	Y
Current	[A]	13.7	7.9
Relative pull-in current	[-]	7,9	
Relative starting torque	[-]	2,5	
Relative pull-up torque	[-]	1,9	
Relative pull-out torque	[-]	3,8	
Efficiency100/75/50 %	[%]	88,6 / 89,1 / 87,9	
Power factor	[-]	0,83	
Th. cl.		155(F/B)	
Coolant temperature	(°C)	-20°C...+40°C	
Altitude above sea level	(m)	1000m	
Degree of protection IP		IP55	
Moment of inertia	(kgm ²)	0,015	
Motor weight	(kg)	55	
Bearing, D-side		6207 ZZ C3	
Bearing, N-side		6207 ZZ C3	
Relubrication interval	(h)		
Grease type		ASONIC GHY 72	
Grease amount	[cm ³]		

Options

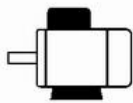
Type of mounting	IM B3
Flange	-
Terminal box	Standard
Position of terminal box	on the top
Cable gland	Sealing plug
Position of cable entry	right
Shaft	Standard, 1 shaft end
Bearing	Easy bearing arrangement
Special details to bearings	Fixed bearing, N-side
Limit values to vibration velocity	Class A
	Balancing with half key
Colour system	01 Moderate (KK C2),RAL 7031 blue-grey
Delivery conditions and/or official regulations:	IEC / EN 60034-1

This document was produced electronically, all specifications are valid only after confirmation of the manufacturer

Three-phase motors with squirrel cage rotor,
Housing grey cast iron

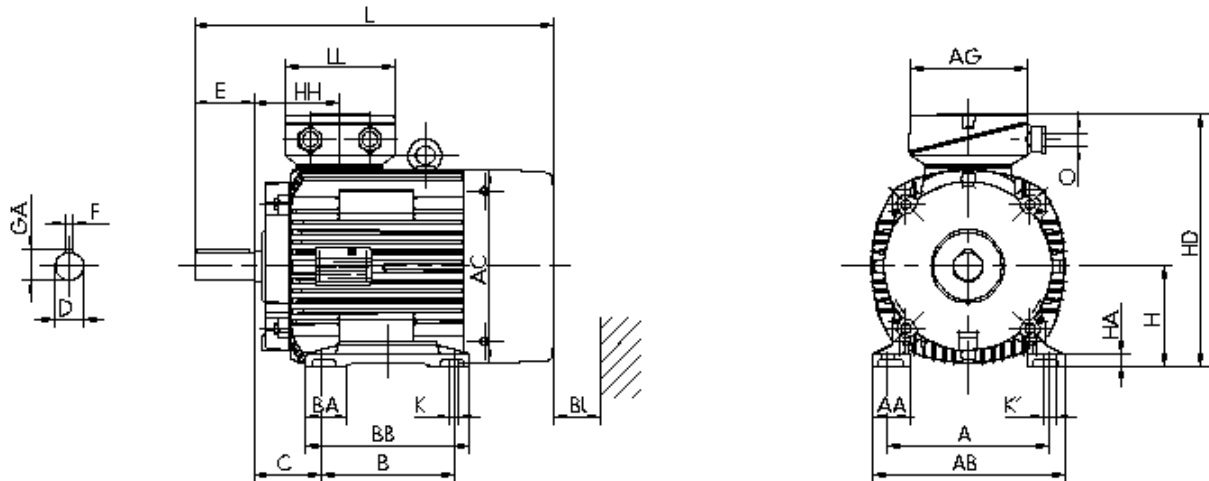
IE3-W42R 112 M4 HW

Mounting position



Type of mounting: IM B3
Flange: -
Position of terminal box: on the top
Brake type:
Forced-ventilation:

Terminal box: KK 25 A
Cable gland O: 1 x Sealing plug



Motor

A	AA	AB	AC	AD	B	B'	BA	BA'	BB	C	CA	K	K'
190	45	226	217	-	140		42	-	172	70	-	12	12
Protection cover													
L	LC	H	HA	HD	HH	BI	L	AG	LL	BE	AH	Terminal box	
457	-	112	15	294	108	40	-	156	145	-	-		

Flange

P	N	LA	M	T	S	Tolerances							
-	-	-	-	-	-	H	N	D	DA				
						-0,5	j6	k6	k6				

Shaft-DS

D	E	GA	F	DB
28	60	31	8	DIN 332 DS- M10

Shaft-NS

DA	EA	GC	FA
-	-	-	-

DB...Centre hole

Delivery conditions and/or official regulations: IEC / EN 60034-1

This document was produced electronically, all specifications are valid only after confirmation of the manufacturer