



Manufacturer Customer

**VEM motors GmbH - Werk Wernigerode**  
**Carl-Friedrich-Gauß-Straße 1**

**38855 WERNIGERODE**  
**Deutschland**

**Three-phase motors with squirrel cage rotor,**  
**Housing grey cast iron**

Type	IE4-W61R 315 MY4	KV	TPM	NS	LL	IL	HW
Design output	( kW )	160					
Design torque	( Nm )	1024					
Class IE	[ - ]	IE4-96,6%					
Efficiency determination		EN 60034-2-1					
Duty type		S1					
Design frequency	( Hz )	50					
Design speed	[rpm]	1492					
Voltage	( V )	400/690					
Connection	[ - ]	D				Y	
Current	[ A ]	285.0				165.2	
Relative pull-in current	[ - ]	11					
Relative starting torque	[ - ]	2,6					
Relative pull-up torque	[ - ]	2,2					
Relative pull-out torque	[ - ]	3,5					
Efficiency100/75/50 %	[ % ]					96,6 / 96,6 / 96	
Power factor	[ - ]	0,84					
Th. cl.		180(H)					
Coolant temperature	( °C )	-20...+40					
Altitude above sea level	( m )	1000					
Degree of protection IP		IP55					
Moment of inertia	( kgm <sup>2</sup> )	4,82					
Motor weight	( kg )	1230					
Bearing, D-side		6320 C3					
Bearing, N-side		6317 MC3 VL0241					
Relubrication interval	( h )	4000					
Grease type		BERUTOX FH 28KN					
Grease amount	[cm <sup>3</sup> ]	78/57					

**Impulse voltage insulation class IVIC acc. to IEC 60034-18-41 C (strong)/A (small)**

U <sub>pk/pk</sub> Ph-Ph (phase-phase)	( V )	2380
U <sub>pk/pk</sub> Ph-Earth (phase-earth)	( V )	1680
t <sub>r</sub> pulse rise time	[µs]	> 0,3

**Options**

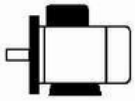
Type of mounting	IM B35
Flange	FF 600[A 660]
Terminal box	Standard
Position of terminal box	on the top
Cable gland	EMV M 63x1,5 MS
Position of cable entry	right
Shaft	Standard, 1 shaftend
Bearing	Relubrication device, easybearing arrangement
Special details to bearings	Fixed bearing, N-side Insulated bearing, N-side
Winding protection	1 set ptc resistors
Limit values to vibration velocity	Class A
Colour system	Balancing with half key 01 Moderate (KK C2),RAL 7031 blue-grey
Delivery conditions and/or official regulations:	IEC / EN 60034-1

This document was produced electronically, all specifications are valid only after confirmation of the manufacturer

Three-phase motors with squirrel cage rotor,  
Housing grey cast iron

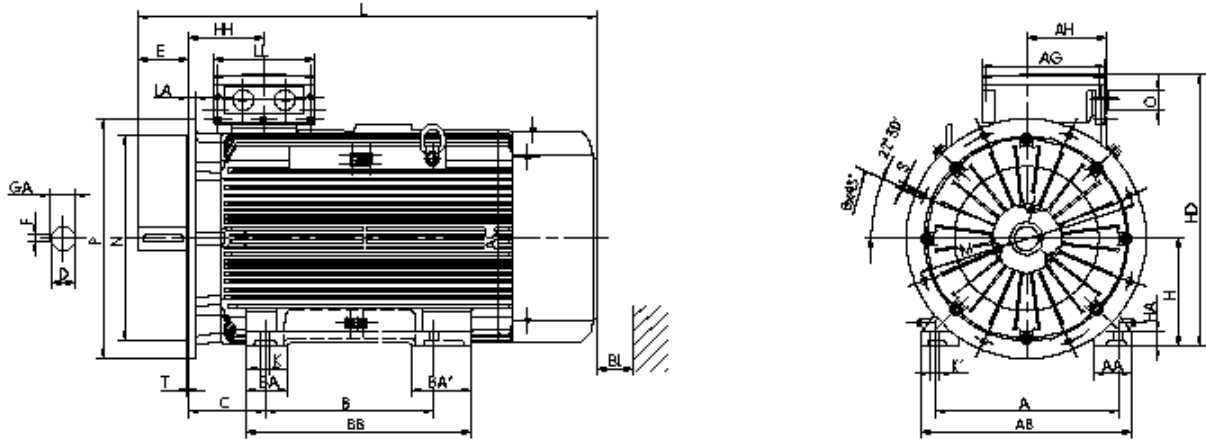
## IE4-W61R 315 MY4 KV TPM NS LL IL HW

### Mounting position



Type of mounting: IM B35  
Flange: FF 600[A 660]  
Position of terminal box: on the top  
Brake type:  
Forced-ventilation:

Terminal box: KK 400 B  
Cable gland O: 2 xEMV M 63x1,5 MS



### Motor

A	AA	AB	AC	AD	B	B'	BA	BA'	BB	C	CA	K	K'		
508	110	590	610	-	457	-	-	120	573	216	-	28	35		
												<b>Protection cover</b>		<b>Terminal box</b>	
L	LC	H	HA	HD	HH	BI	-	L	AG	LL	BE	BE	AH		
1300	-	315	44	809	230	100	-	-	415	340	-	-	265		

### Flange

P	N	LA	M	T	S	<b>Tolerances</b>							
660	550	22	600	6	22	H	N	D	DA				
						-1	h6	m6	m6				

### Shaft-DS

D	E	GA	F	DB
80	170	85	22	DIN 332 DS- M20

### Shaft-NS

DA	EA	GC	FA
-	-	-	-

### DB...Centre hole

Delivery conditions and/or official regulations: IEC / EN 60034-1

This document was produced electronically, all specifications are valid only after confirmation of the manufacturer