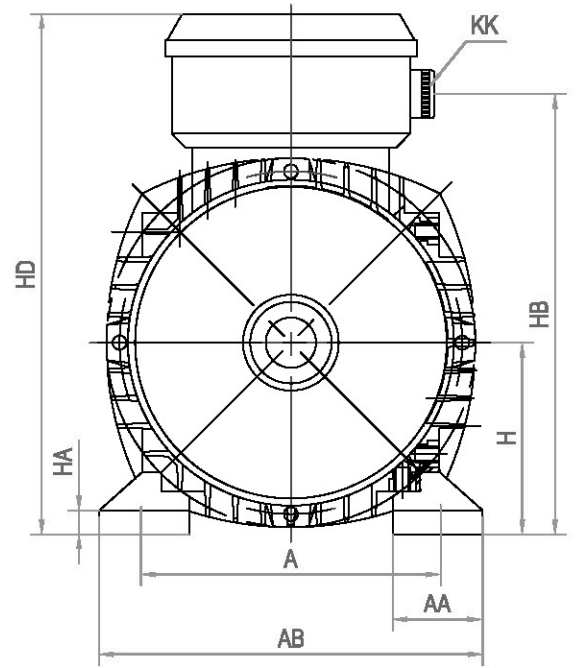
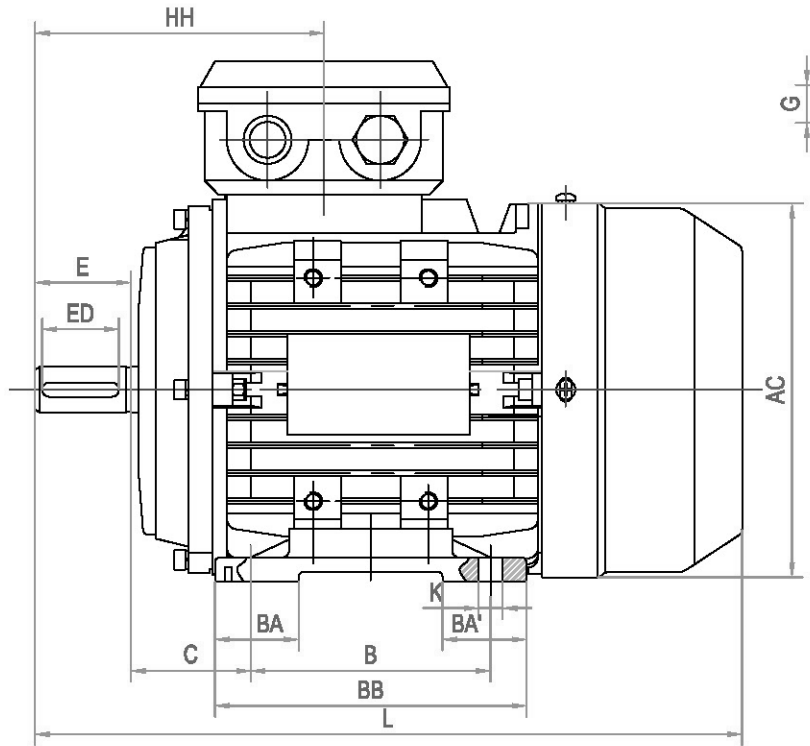


CLIENT:	80	VOLTS	FRAME	KW	RPM
			MS80 1-2	0.75	
			MS80 2-2	1.1	
			MS80 3-2	1.5	
			MS80 1-4	0.55	
			MS80 2-4	0.75	
			MS80 3-4	1.1	
			MS80 1-6	0.37	
			MS80 2-6	0.55	
			MS80 3-6	0.75	
			MS80 1-8	0.18	
			MS80 2-8	0.25	
			MS80 3-8	0.37	
			EMS80 1-2	0.75	
			EMS80 2-2	1.1	
EMS80 3-2	1.5				
EMS80 1-4	0.55				
EMS80 2-4	0.75				
EMS80 3-4	1.1				



FOOT-OR-FLANGE-MOUNTING

SHAFT EXT.DE ONLY

WEIGHT(kg)

A	AA	AB	AC	B	BA	BA'	BB	C	H	HA	HB	HD	HH	K	KK	L	D	DB	E	ED	F	G											
125	35	160	Ø165	100	35	35	130	50	80	10	183	217	120.5	10X13	1-M20X1.5	295	Ø19	M6X16	40	32	6	15.5											

CUSTOMER APPROVAL

SIGNATURE

DATE

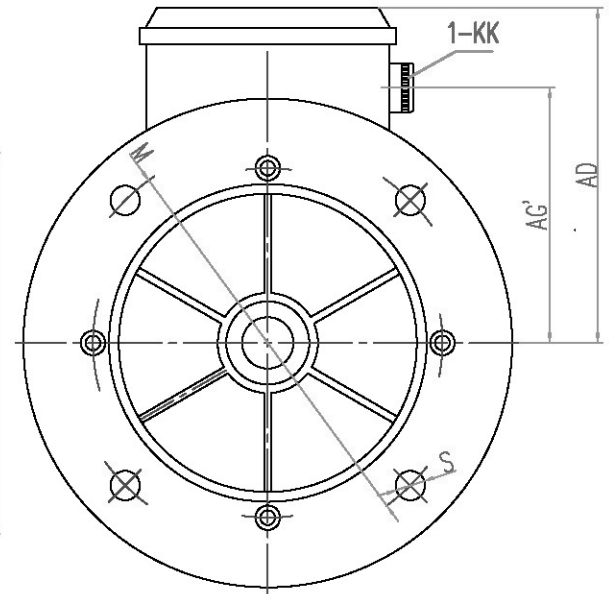
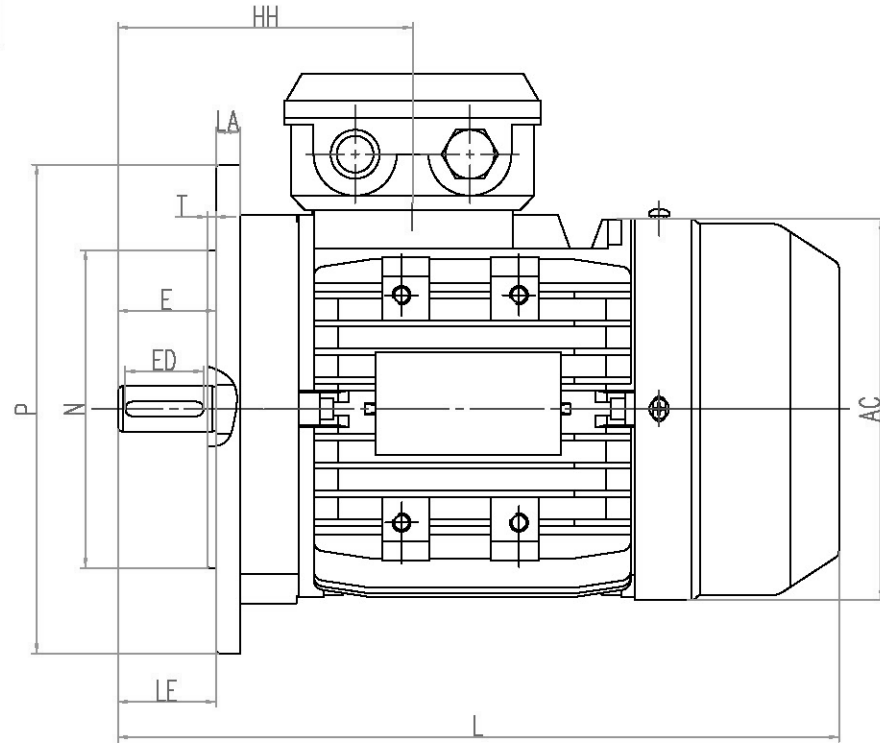
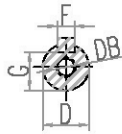
80 B3

DIMENSION OUTLINE



DATE		CHECKED BY	
DESIGNED BY		APPROVED BY	
ISSUE	DATE	CERTIFIED BY	
ISSUE	DATE	CERTIFIED BY	
ISSUE	DATE	CERTIFIED BY	
ISSUE	DATE	CERTIFIED BY	

FRAME	KW
MS80 1-2	0.75
MS80 2-2	1.1
MS80 3-2	1.5
MS80 1-4	0.55
MS80 2-4	0.75
MS80 3-4	1.1
MS80 1-6	0.37
MS80 2-6	0.55
MS80 3-6	0.75
MS80 1-8	0.18
MS80 2-8	0.25
MS80 3-8	0.37



CLIENT:

FRAME	80	VOLTS
KW		RPM

EMS80 1-2	0.75
EMS80 2-2	1.1
EMS80 3-2	1.5
EMS80 1-4	0.55
EMS80 2-4	0.75
EMS80 3-4	1.1

OUTLINE DIMENSIONS FLANGE MOUNTED MOTORS

SHAFT EXT.DE ONLY

WEIGHT(kg)

AC	AD	AG'	KK	L	LA	HH	LE	M	N	P	S	T					D	DB	E	ED	F	G										
φ165	137	103	1-M20×1.5	295	10	120.5	40	φ165	φ130	φ200	4-φ12	3.5					φ19	M6×16	40	32	6	15.5										

CUSTOMER APPROVAL _____

SIGNATURE

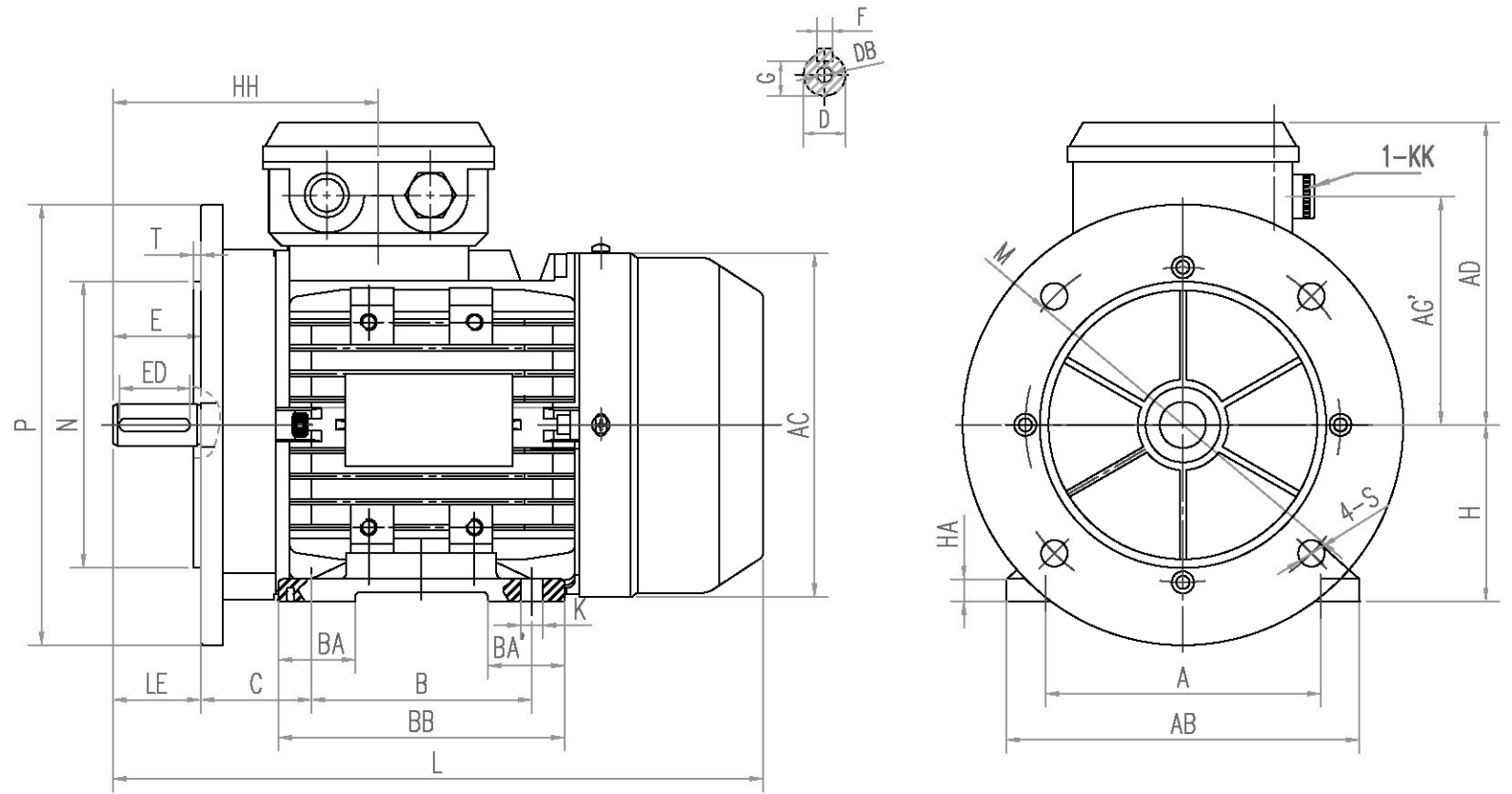
DATE

80 V1/B5
DIMENSION OUTLINE



DATE		CHECKED BY
DESIGNED BY		APPROVED BY
ISSUE	DATE	CERTIFIED BY
ISSUE	DATE	CERTIFIED BY
ISSUE	DATE	CERTIFIED BY
ISSUE	DATE	CERTIFIED BY

FRAME	KW
MS80 1-2	0.75
MS80 2-2	1.1
MS80 3-2	1.5
MS80 1-4	0.55
MS80 2-4	0.75
MS80 3-4	1.1
MS80 1-6	0.37
MS80 2-6	0.55
MS80 3-6	0.75
MS80 1-8	0.18
MS80 2-8	0.25
MS80 3-8	0.37



CLIENT:	80	KW	RPM	EMS80 1-2	0.75
				EMS80 2-2	1.1
FRAME	VOLTS			EMS80 3-2	1.5
				EMS80 1-4	0.55
				EMS80 2-4	0.75
				EMS80 3-4	1.1

OUTLINE DIMENSIONS FLANG MOUNTED MOTORS

SHAFT EXT.DE ONLY

A	AA	AB	AC'	AC	AD	B	BB	BA	BA'	LE	HH	C	H	HA	K	KK	L	M	N	P	S	T	D	DB	E	ED	F	G	
125	35	160	103	φ165	137	100	130	35	35	40	120.5	50	80	10	10X13	M20X1.5	295	φ165	φ130	φ200	φ12	3.5	φ19	M6×16	40	32	6	15.5	

CUSTOMER APPROVAL

SIGNATURE

DATE

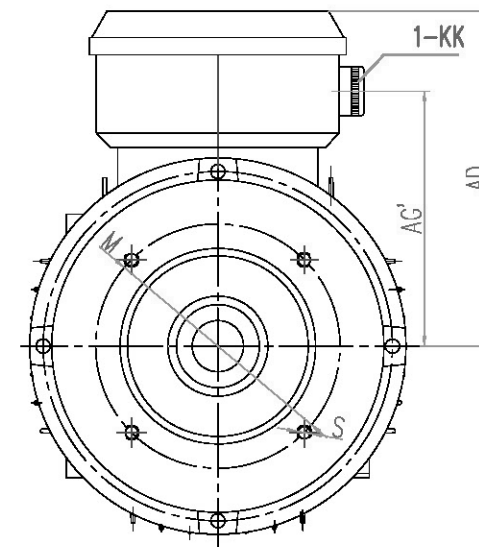
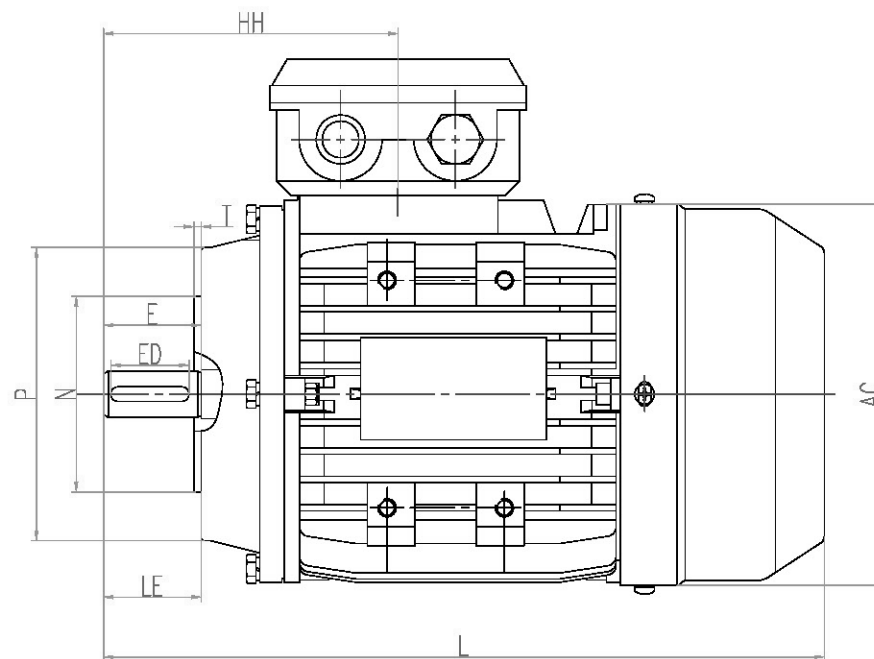
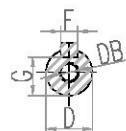
80 B35

DIMENSION OUTLINE



DATE		CHECKED BY	
DESIGNED BY		APPROVED BY	
ISSUE	DATE	CERTIFIED BY	
ISSUE	DATE	CERTIFIED BY	
ISSUE	DATE	CERTIFIED BY	
ISSUE	DATE	CERTIFIED BY	

FRAME	KW
MS80 1-2	0.75
MS80 2-2	1.1
MS80 3-2	1.5
MS80 1-4	0.55
MS80 2-4	0.75
MS80 3-4	1.1
MS80 1-6	0.37
MS80 2-6	0.55
MS80 3-6	0.75
MS80 1-8	0.18
MS80 2-8	0.25
MS80 3-8	0.37



CLIENT:	FRAME	80
	VOLTS	
	KW	
	RPM	

EMS80 1-2	0.75
EMS80 2-2	1.1
EMS80 3-2	1.5
EMS80 1-4	0.55
EMS80 2-4	0.75
EMS80 3-4	1.1

OUTLINE DIMENSIONS FLANGE MOUNTED MOTORS

SHAFT EXT.DE ONLY

AC	AD	AC'	KK	L	HH	LE	M	N	P	S	T					D	DH	E	ED	F	G													
φ165	137	103	M20×1.5	295	120.5	40	φ85	φ70	φ105	4-M6	2.5					φ19	M6×16	40	32	6	15.5													

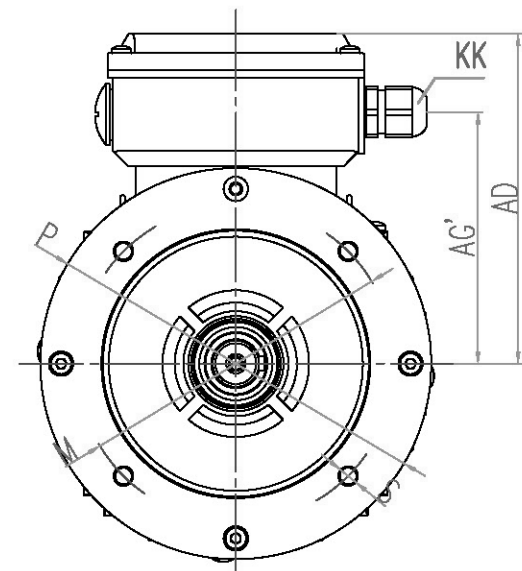
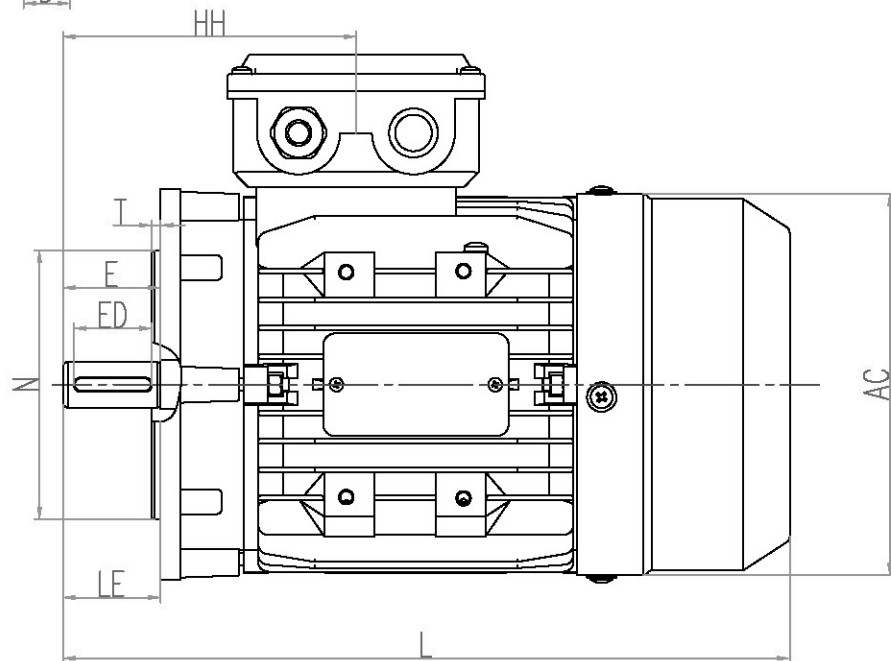
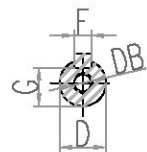
CUSTOMER APPROVAL _____
SIGNATURE DATE

80 B14A
DIMENSION OUTLINE



DATE		CHECKED BY	
DESIGNED BY		APPROVED BY	
ISSUE	DATE	CERTIFIED BY	
ISSUE	DATE	CERTIFIED BY	
ISSUE	DATE	CERTIFIED BY	
ISSUE	DATE	CERTIFIED BY	

FRAME	KW
MS80 1-2	0.75
MS80 2-2	1.1
MS80 3-2	1.5
MS80 1-4	0.55
MS80 2-4	0.75
MS80 3-4	1.1
MS80 1-6	0.37
MS80 2-6	0.55
MS80 3-6	0.75
MS80 1-8	0.18
MS80 2-8	0.25
MS80 3-8	0.37



CLIENT:

FRAME	80	VOLTS
KW		RPM

EMS80 1-2	0.75
EMS80 2-2	1.1
EMS80 3-2	1.5
EMS80 1-4	0.55
EMS80 2-4	0.75
EMS80 3-4	1.1

OUTLINE DIMENSIONS FLANGE MOUNTED MOTORS

SHAFT EXT.DE ONLY

AC	AD	AG'	KK	L	HH	LE			M	N	P	S	T				D	DB	E	ED	F	G							
φ165	137	103	1-M20×1.5	295	120.5	40			φ110	φ80	φ120	4-M6	3.5				φ19	M6×16	40	32	6	15.5							

CUSTOMER APPROVAL _____
 SIGNATURE DATE

80 B14B
 DIMENSION OUTLINE



DATE		CHECKED BY
DESIGNED BY		APPROVED BY
ISSUE	DATE	CERTIFIED BY
ISSUE	DATE	CERTIFIED BY
ISSUE	DATE	CERTIFIED BY
ISSUE	DATE	CERTIFIED BY