



N° :

Date : 17 mai 2019

Induction motor with options

4P FLSES 315M 132kW IFT/IE3 B3 380D/400D/415D/690Y-460D 50-60Hz -

With Space heater 100W 200/240V - 50/60Hz ; Impregnation type > 95% ; -16+40°C (TC) ; DE ball bearing with shaft grounding ring (SGR) at the front ; Insulated bearing on the back (IB) ;

Utilisation : Environment Current ; Ambiance Corrosive ; Finition - ; Zone Non specific ; General applications ; Ambient temperature -16 +40 °C ; Maximum altitude 1000 m.

Motor characteristics : Cast iron housing ; Cast iron DE endshield ; Cast iron NDE endshield.



Motor definition

		Application	General applications
Protection type	-	Main voltage (V)	400
Generation code	IFT	Connection	DY
Efficiency class	IE3	Motor winding (V)	380D/400D/415D/690Y-460D
Number of network phases	3	Rated Frequency (Hz)	50-60
Number of speed	-	Operation position	IM1001(IMB3)
Polarity	4P	Index of protection	IP55
Motor serie	FLSES	Index of cooling	IC411
Frame size (mm)	315	Insulation class	F
Length code	M	Finish	-
HS rated power (kW)	132.000	Moment of inertia J (kg.m ²)	2.0900000
	-	Motor weight (kg)	985.0
Rated speed (min-1)	1487		
Maximum mechanical speed (min-1)	2610		

Common definitions

Paint shade	RAL6000
Paint system	Ila (1 epoxy base coat 30/40 microns + 1 polyurethane finish coat 20/30 microns)

Motor mechanical interface

Mounting flange	-	Shaft material type	Steel shaft
Drive end shaft type	IEC STANDARD shaft end	Nuance of shaft material	-
Diameter DE shaft (mm)	80m6	Second shaft extension	-
Length DE shaft (mm)	170	Diameter NDE shaft (mm)	-
DE bearing mounting	Locked	Second shaft end length (mm)	-
DE bearing type	DE ball bearing with shaft grounding ring (SGR) at the front	NDE bearing type	Insulated bearing on the back (IB)
DE bearing	6320	NDE bearing	6316
Code Type de graissage	Graisseurs		

Motor electrical interface

Connection network type	Terminal box	Cable type	-
Connection network material	Cast iron	Cable gland material	-
Connection network position	A	Main cable gland type	-
Connection network orientation	up	Principal cable gland position	Right (1)
Connection network relative position	0		

N° :

Date : 17 mai 2019

Induction motor with options - 4P FLSES 315M 132kW IFT/IE3 B3 380D/400D/415D/690Y-460D 50-60Hz -

Motor options

Vibration level	A (45µm ; 2.8mm/s ; 4.4m/s ²)	Cover	Metal cover
Balancing type	Half-key (H)	Drip proof cover option	-
Impregnation type	> 95% ; -16+40°C (TC)	cooling type	-
Winding thermal protection	1 set of 3 probes PTC (winding)	Forced ventilation characteristics	-
Space heater	With	Encoder type	-
Draining plugs position	6H	Encoder characteristic	-
Nameplate material	Stainless steel nameplate	Screw material	Steel screw
Endshield thermal protection	-	Adaptation for vibration sensor	-
Reinforced insulation system	-		

Motor characteristics (on mains supply)

Main voltage (V)	Rated Frequency (Hz)	HS rated power (kW)	Rated torque (N.m)	Rated speed (min-1)	Rated current (A)	Power factor at 4/4 of the load	Power factor at 3/4 of the load	Power factor at 2/4 of the load	Efficiency at 4/4 (IEC 60 034-2-1) of the load (%)	Efficiency at 3/4 (IEC 60 034-2-1) of the load (%)	Efficiency at 2/4 (IEC 60 034-2-1) of the load (%)
380	50	132.000	848	1484.00	241.00	0.87			95.60		
400	50	132.000	848	1487	234.0	0.85	0.82	0.76	95.90	95.90	95.60
415	50	132.000	848	1487.00	229.00	0.84			95.80		
460	60	132	705,73	1787.00	203.00	0.85			96.00		

Motor characteristics (on mains supply) 400 V 50 Hz

Starting torque (N.m)	2351.0	Id / In	6.76
Average starting torque (N.m)		Id	1582.00
Maximum torque (N.m)	2344	Maximum current (A)	820
Unload maximum starting frequency (d/h)	-	No-load current (A)	78.50
Rotor locked time (cold) (s)		Acoustic pressure level (dB(A))	75

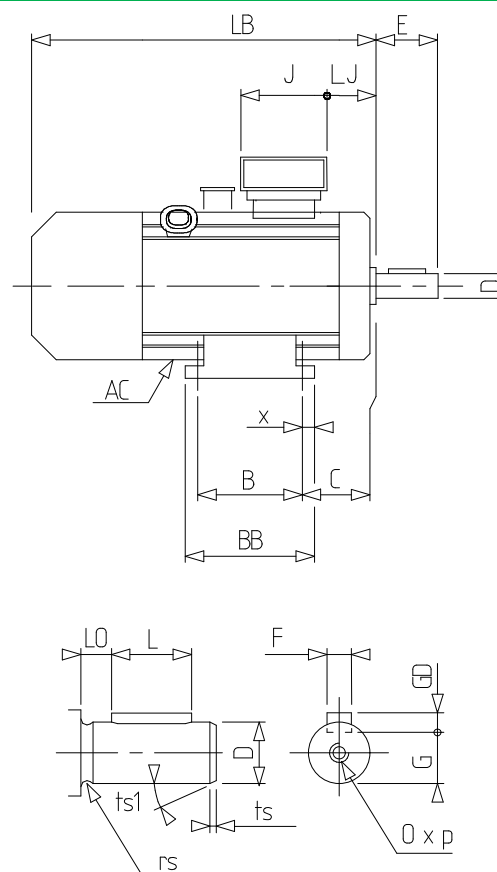
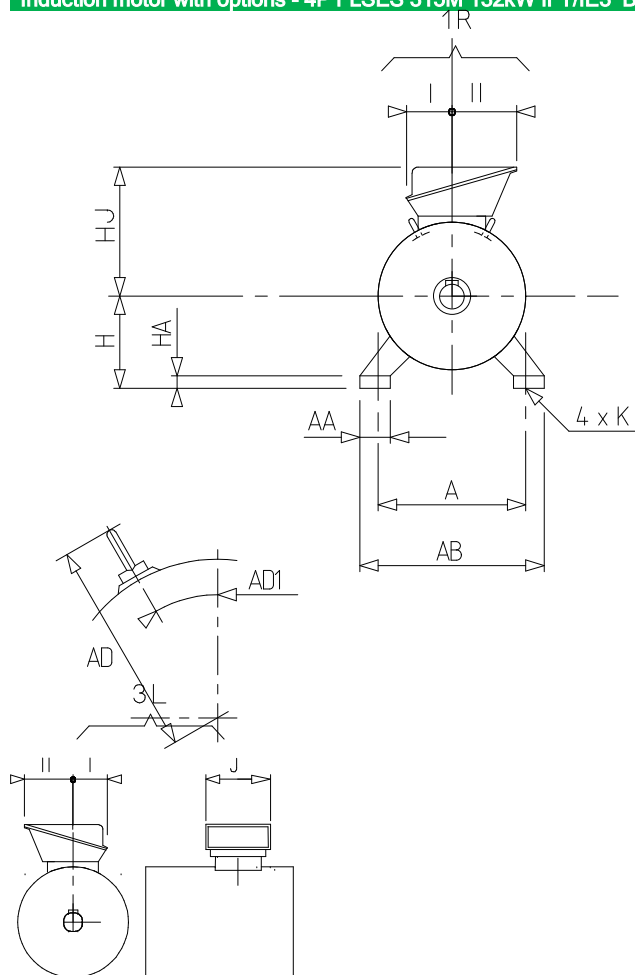
Motor characteristics (supplied via drives)

Main voltage (V)	fn (Hz)	Pn (kW)	Nn (min-1)	In (A)	Cos Phi	Mn @ f/10 (N.m)	Mn @ f/5 (N.m)	Mn @ f/3 (N.m)	Mn @ f/2 (N.m)	Mn (N.m)	Mn @ fx1.7 (N.m)	Mn @ fx2 (N.m)
400 D	50	132	1487	250	0.87	800.0	815.0	830.0	852.0	852.0	486.0	0.0

N° :

Date : 17 mai 2019

Induction motor with options - 4P FLSES 315M 132kW IFT/IE3 B3 380D/400D/415D/690Y-460D 50-60Hz -



A	508
AA	100
AB	600
AC	600.00
AD1	45
B	457
BB	610
C	216.0
D	80m6
E	170
F	22
G	71
GD	14
H	315
HA	35
HJ	532.0
I	219
II	269
J	452
K	28
L	140
LB	1177.0
LJ	101.0
LO	30
O	M20
p	42
rs	0.8
ts	1
ts1	45
x	58