



Manufacturer

Customer

VEM motors GmbH
Carl-Friedrich-Gauß-Straße 1

38855 WERNIGERODE
Deutschland

Three-phase motors with squirrel cage rotor,
Housing grey cast iron

Type	IE3-B41R 160 MX2 SMG HW		
Design output	(kW)	15	
Design torque	(Nm)	49	
Class IE	(-)	IE3-91,9%	
Efficiency determination	EN 60034-2-1		
Duty type		S1	
Design frequency	(Hz)	50	
Design speed	[rpm]	2950	
Voltage	(V)	400/690	
Connection	(-)	D	Y
Current	(A)	26.0	15.1
Relative pull-in current	(-)	7,9	
Relative starting torque	(-)	2,2	
Relative pull-out torque	(-)	3,1	
Efficiency100/75/50 %	(%)		91,9 / 92 / 91,3
Power factor	(-)	0,91	
Th. cl.		155(F/B)	
Coolant temperature	(°C)	-20°C...+40°C	
Altitude above sea level	(m)	1000m	
Degree of protection IP		IP55	
Moment of inertia	(kgm ²)	0,07	
Motor weight	(kg)	160	
Bearing, D-side		6310 ZZ C3	
Bearing, N-side		6309 ZZ C3	
Relubrication interval	(h)		
Grease type		ASONIC GHY 72	
Grease amount	(g)		
A-sound pressure level	(dB)	67	
Brake type		BZFM V7 10	
Brake torque	(Nm)	125	
Relative brake torque	(-)	2,6	

Options

Type of mounting	IMB5
Flange:	FF 300[A 350]
Terminal box	Standard
Position of terminal box	on the top
Cable gland	Sealing plug
Position of cable entry	right
Shaft	Standard
Bearing	Easy bearing arrangement
Special details to bearings	Fixed bearing, N-side
Limit values to vibration velocity	Class A
	Balancing with half key
Colour system	01 Moderate (KK C2),RAL 7031 blue-grey
Brake type	Stromag
	Rectifier for brake

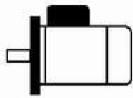
Delivery conditions and/or official regulations: IEC / EN 60034-1

This document was produced electronically, all specifications are valid only after confirmation of the manufacturer

Three-phase motors with squirrel cage rotor,
Housing grey cast iron

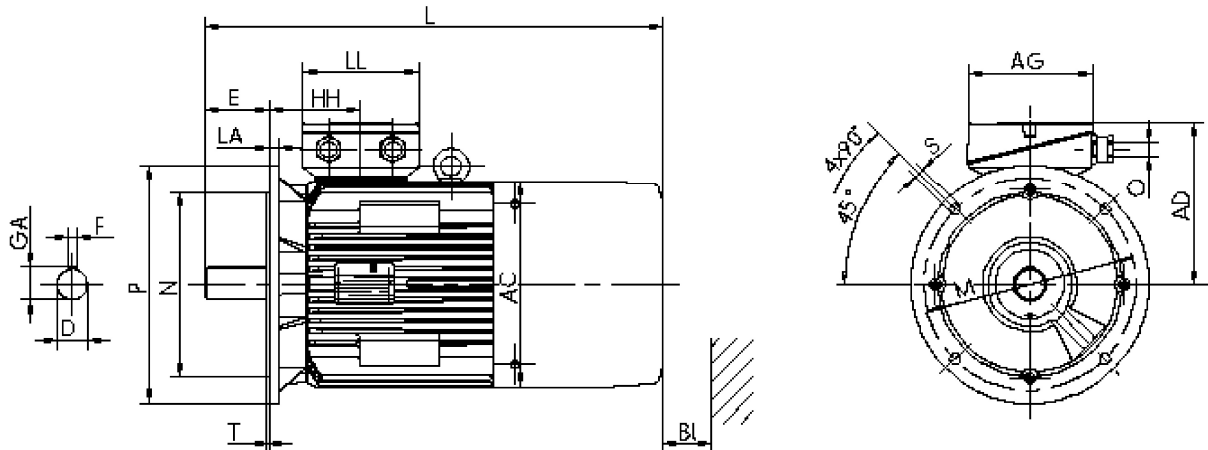
IE3-B41R 160 MX2 SMG HW

Mounting position



Type of mounting: IMB5
Flange: FF 300[A 350]
Position of terminal box: on the top
Brake type: BZFM V7 10
Forced-ventilation:

Terminal box: KK 63 A
Cable gland O: 1 xSealing plug



Motor

A	AA	AB	AC	AD	B	B'	BA	BA'	BB	C	CA	K	K'
-	-	-	313	242	-	-	-	-	-	-	-	-	-
L	LC	H	HA	HD	HH	BI	Terminal box						
737	-	160	-	-	138	35	AG	LL	BE	AH			
							193	167	-	-			

Flange

P	N	LA	M	T	S	Tolerances						
350	250	13	300	5	18	H	N	D	DA			
						-0,5	h6	k6	k6			

Shaft-DS

D	E	GA	F	DB	Shaft-NS			
42	110	45	12	DIN 332 DS- M16	DA	EA	GC	FA
					-	-	-	-

DB...Centre hole

Delivery conditions and/or official regulations: IEC / EN 60034-1

This document was produced electronically, all specifications are valid only after confirmation of the manufacturer