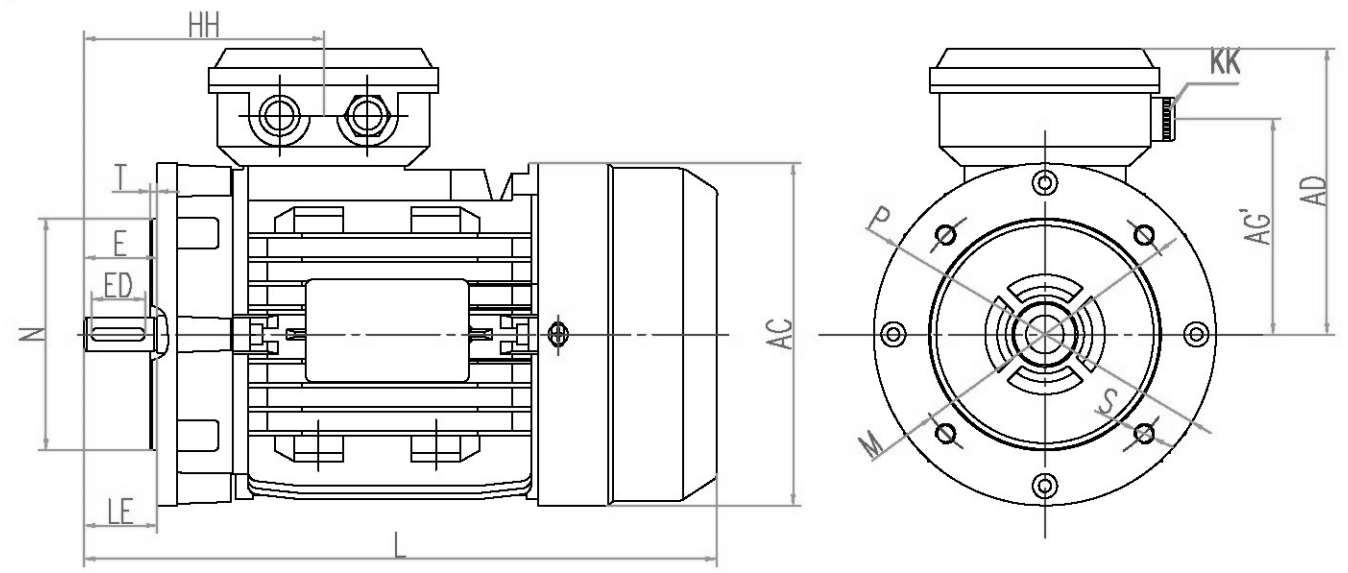
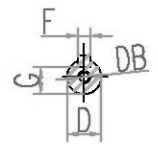


FRAME	KW
MS71 1-2	0.37
MS71 2-2	0.55
MS71 3-2	0.75
MS71 1-4	0.25
MS71 2-4	0.37
MS71 3-4	0.55
MS71 1-6	0.18
MS71 2-6	0.25
MS71 3-6	0.37



CLIENT:	KW	RPM
	FRAME	VOLTS

OUTLINE DIMENSIONS FLANGE MOUNTED MOTOS

SHAFT EXT.DE ONLY

AC	AD	AG'	KK	L	HH	L			M	N	P	S	T				D	DB	E	ED	F	G						
φ145	117	88.5	1-M20x1.5	260	98	30			φ115	φ95	φ140	4-M8	3				φ14	M5x12	30	22	5	11						

CUSTOMER APPROVAL _____
SIGNATURE DATE

71 B14B
DIMENSION OUTLINE

DATE		CHECKED BY
DESIGNED BY		APPROVED BY
ISSUE	DATE	CERTIFIED BY
ISSUE	DATE	CERTIFIED BY
ISSUE	DATE	CERTIFIED BY
ISSUE	DATE	CERTIFIED BY

ELECTRAMO®