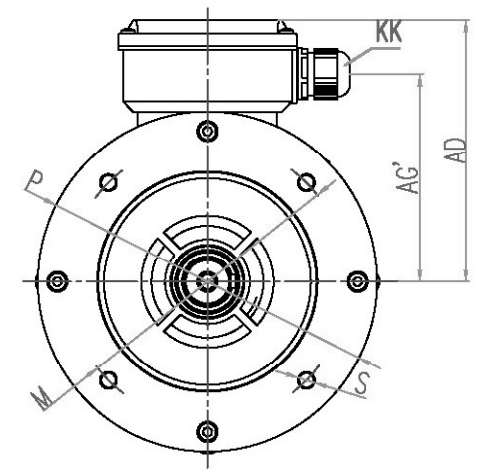
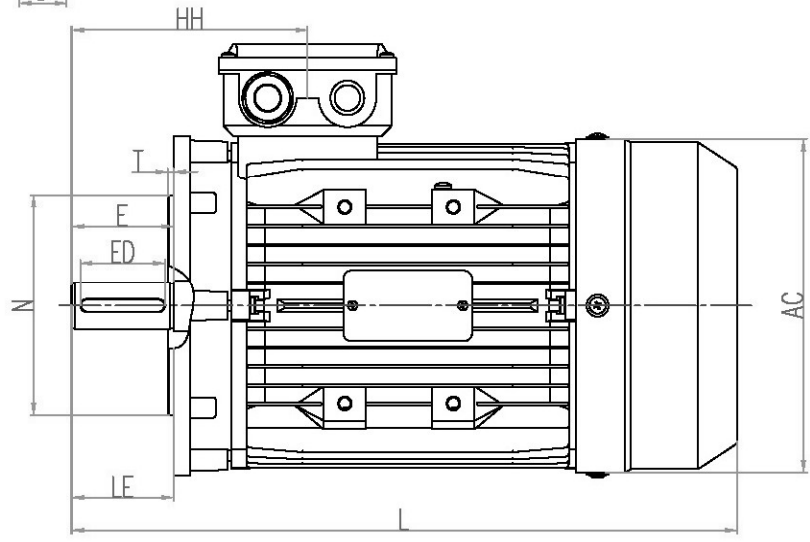
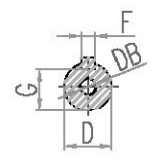


FRAME	KW
MS100L1-2	3
MS100L2-2	4
MS100L1-4	2.2
MS100L2-4	3
MS100L3-4	4
MS100L-6	1.5
MS100L1-8	0.75
MS100L2-8	1.1
EMS100L1-2	3
EMS100L2-2	4
EMS100L1-4	2.2
EMS100L2-4	3
EMS100L3-4	4
EMS100L-6	1.5



CLIENT:	KW	RPM
	100	
	FRAME	VOLTS

OUTLINE DIMENSIONS FLANGE MOUNTED MOTORS

SHAFT EXT.DE ONLY

AC	AD	AG'	KK	L	HH	LE				M	N	P	S	T				D	DB	E	ED	F	G							
φ205	152	122	1-M20x1.5	400	139	60				φ160	φ130	φ200	4-M10	3.5				φ28	M10x22	60	50	8	24							

CUSTOMER APPROVAL _____
SIGNATURE DATE

100 B14B		DATE	CHECKED BY
DIMENSION OUTLINE		DESIGNED BY	APPROVED BY
ISSUE	DATE	CERTIFIED BY	
ISSUE	DATE	CERTIFIED BY	
ISSUE	DATE	CERTIFIED BY	
ISSUE	DATE	CERTIFIED BY	

