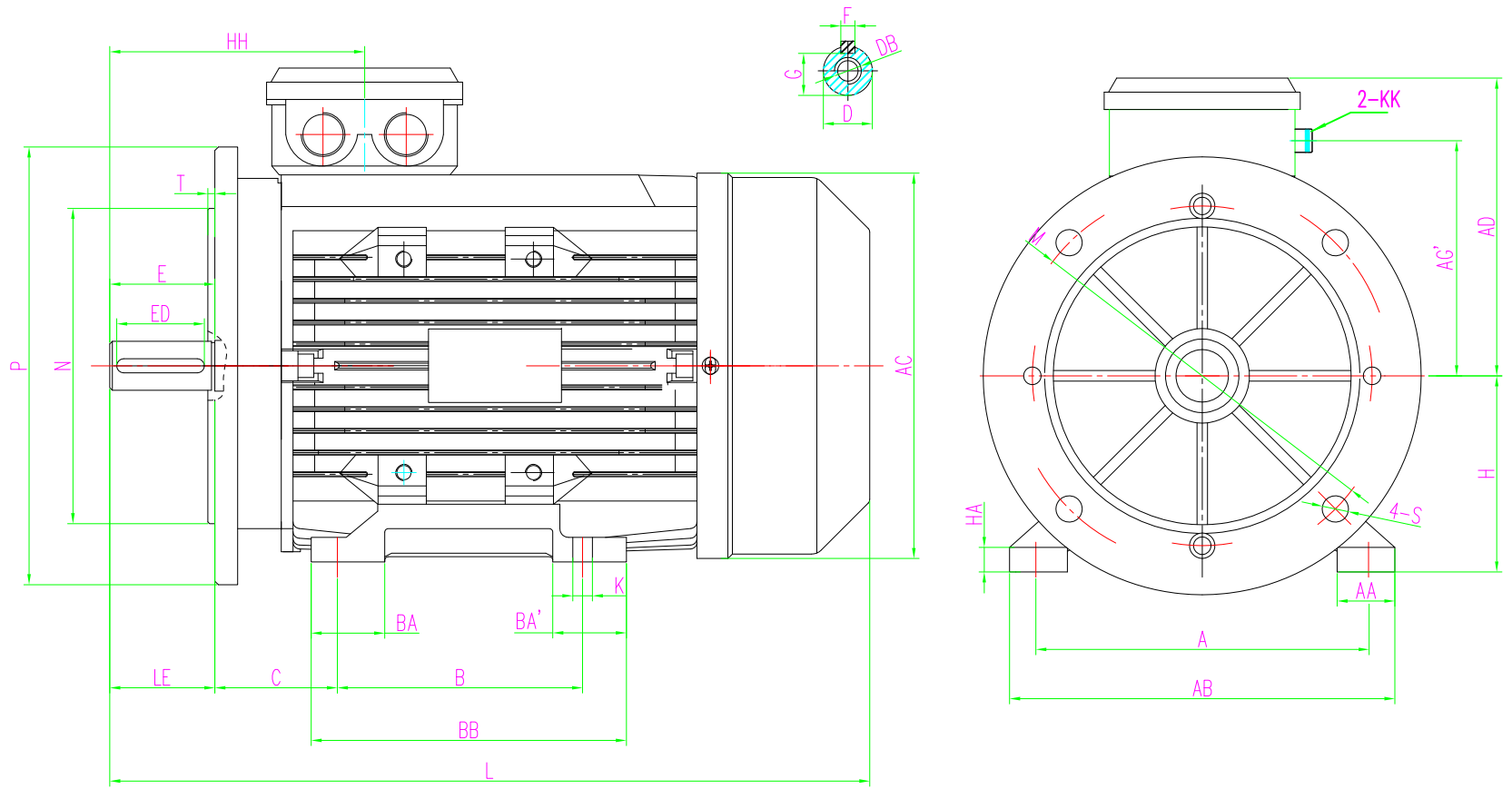


CLIENT:	FRAME	VOLTS	112	KW	RPM	FRAME	KW
						MS112M-2	4
						MS112L-2	5.5
						MS112M1-4	4
						MS112L-4	5.5
						MS112M-6	2.2
						MS112M-8	1.5
						EMS112M-2	4
						EMS112M2-2	5.5
						EMS112M-4	4
EMS112M-6	2.2						



OUTLINE DIMENSIONS FLANG MOUNTED MOTORS

SHAFT EXT.DE ONLY

A	AA	AB	AG'	AC	AD	B	BB	BA	BA'	LE	HH	C	H	HA	K	KK	L	M	N	P	S	T	D	DB	E	ED	F	G
190	55	220	135.5	∅230	174	140	180	42	42	60	148	70	112	14	12X16	M25X1.5	400	∅215	∅180	∅250	∅15	4	∅28	M10×22	60	50	8	24

CUSTOMER APPROVAL

SIGNATURE

DATE

112 B35

DIMENSION OUTLINE

DWG #

DATE		CHECKED BY	
DESIGNED BY		APPROVED BY	
ISSUE	DATE	CERTIFIED BY	
ISSUE	DATE	CERTIFIED BY	
ISSUE	DATE	CERTIFIED BY	
ISSUE	DATE	CERTIFIED BY	